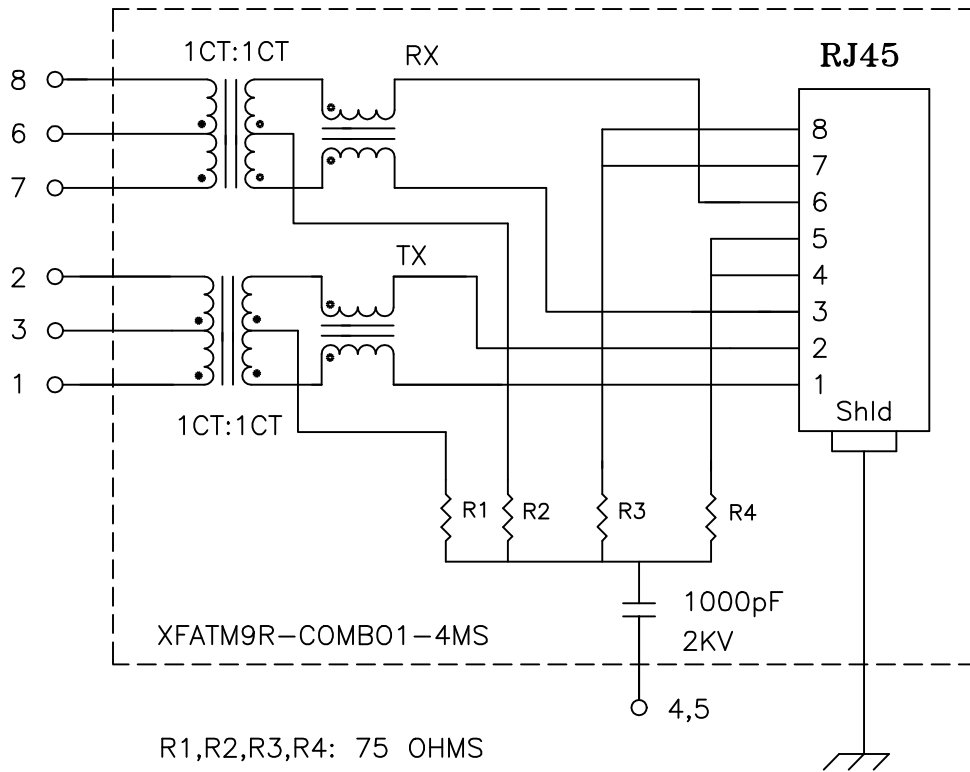


Schematic:



Electrical Specifications: @25°C

Isolation Voltage: 1500 Vrms (Input to Output)
 Isolation Voltage: 500 Vrms (P1+2+3 to P4+5+6)
 Turns Ratio: TX 1CT:1CT $\pm 3\%$ RX 1CT:1CT $\pm 3\%$
 CABLE SIDE OCL: 350uH Minimum @100KHz 100mV 8mADC
 Cw/w: 27pF Typical @100KHz 100mV
 Insertion Loss (300KHz-100MHz): 1.0dB Max
 Return Loss: @30MHz 18dB Minimum
 @80MHz 12dB Minimum
 CMRR: 1-50MHz -30dB Typ
 50-150MHz -20dB Typ

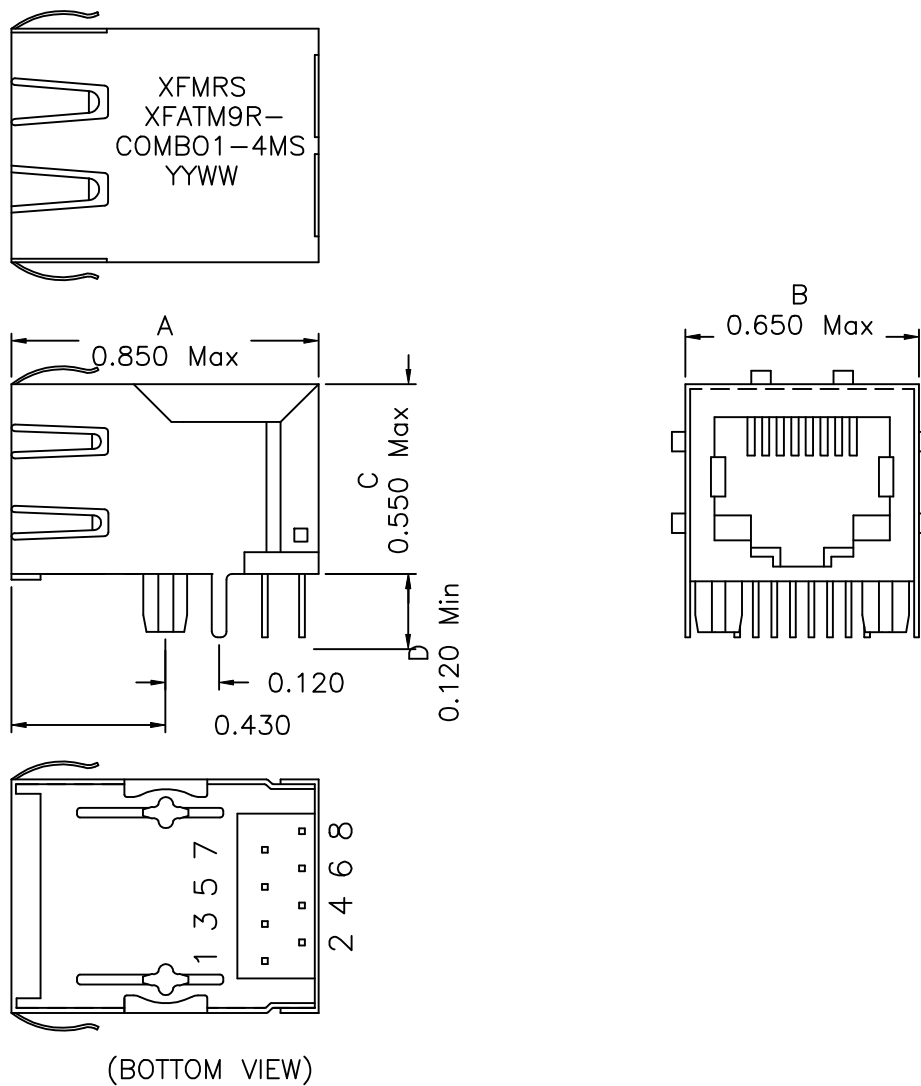
Notes:

1. Solderability: Leads shall meet MIL-STD-202, Method 208D for solderability.
2. Flammability: UL94V-0
3. ASTM oxygen index: > 28%
4. Temperature rating: 155°C. UL file E151556
5. Operating Temperature Range: -40°C to +85°C

DOC. REV: A/1

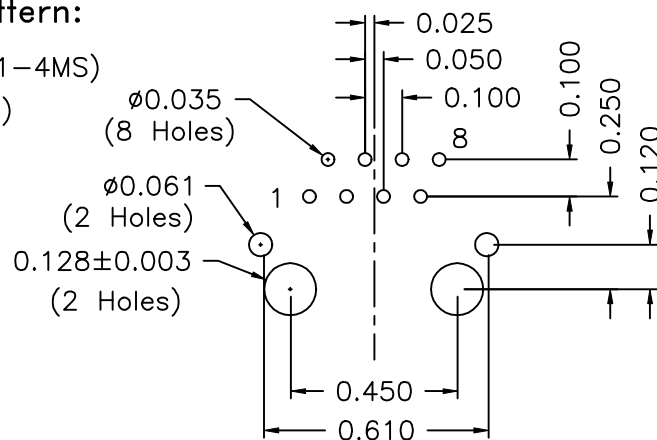
XFMRs Inc.	Title: SINGLE PORT COMBO		
	UNLESS OTHERWISE SPECIFIED	P/N: XFATM9R-COMBO1-4MS	REV. A
TOLERANCES: .xxx ± 0.010	DWN.	刘鹏	Mar-27-03
Dimensions in Inch	CHK.	李小锋	Mar-27-03
SHEET 1 OF 2	APP.	BW	Mar-27-03

Mechanical Dimensions:



Mounting Pattern:

(FOR COMBO1-4MS)
(COMP SIDE)



XFMR5 Inc.

Title: Mechanical Dimensions
For COMBO1-4MS Series

UNLESS OTHERWISE SPECIFIED
TOLERANCES:
.xxx ±0.010
Dimensions in Inch

P/N: XFATM9R-COMBO1-4MS

REV. A

DWN.

刘 鹏

Mar-27-03

CHK.

李小锋

Mar-27-03

APP.

BW

Mar-27-03

DOC REV: A/1

SHEET 2 OF 2