

CC3000C-AZ Series

3 Phase & 3 lines 500VAC

Inquir

5 up to 150A/for out-put



Application

Inverter/for Out-put

Specifications

Part No.	Rated Current	Weight	Dimensions [mm]												N	P	
			A	B	C	D	E	F	G	H	J	L					
CC3005C-AZ	5A	1Kg	155	140	125	110	95	70	32	50	20	M4	dia.4.5	R2.54 L6	fig1		
CC3010C-AZ	10A	1Kg	155	140	125	110	95	70	32	50	20	M4					
CC3015C-AZ	15A	1Kg	155	140	125	110	95	70	32	50	20	M4					
CC3020C-AZ	20A	1.5Kg	175	160	145	130	110	80	32	70	25	M4	dia.5.5	R2.75 L7			
CC3030C-AZ	30A	1.5Kg	175	160	145	130	110	80	32	70	25	M4					
CC3040C-AZ	40A	2.5Kg	170	120	80	150	135	120	44	120	90	M5	dia.5.5				
CC3050C-AZ	50A	5Kg	230	180	100	220	200	180	44	170	140	M6					
CC3060C-AZ	60A	6Kg	230	180	100	220	200	180	44	170	140	M6	dia.6.5		fig2		
CC3080C-AZ	80A	7.5Kg	267	210	150	250	230	210	57	170	140	M6					
CC3100C-AZ	100A	8.5Kg	267	210	150	250	230	210	57	170	140	M8					
CC3115C-AZ	115A	9Kg	267	210	150	250	230	210	57	170	140	M8					
CC3150C-AZ	150A	10Kg	267	220	160	260	240	220	57	170	140	M8					
Rated Voltage	500VAC																

fig1 (5-30A)

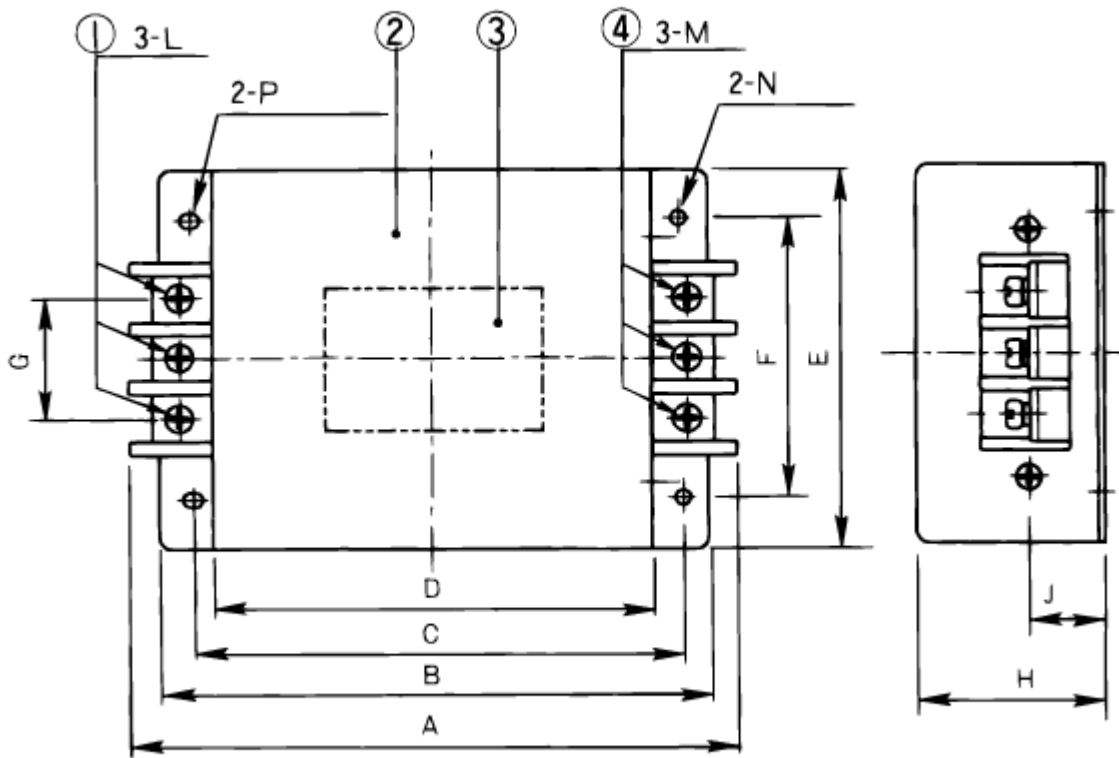
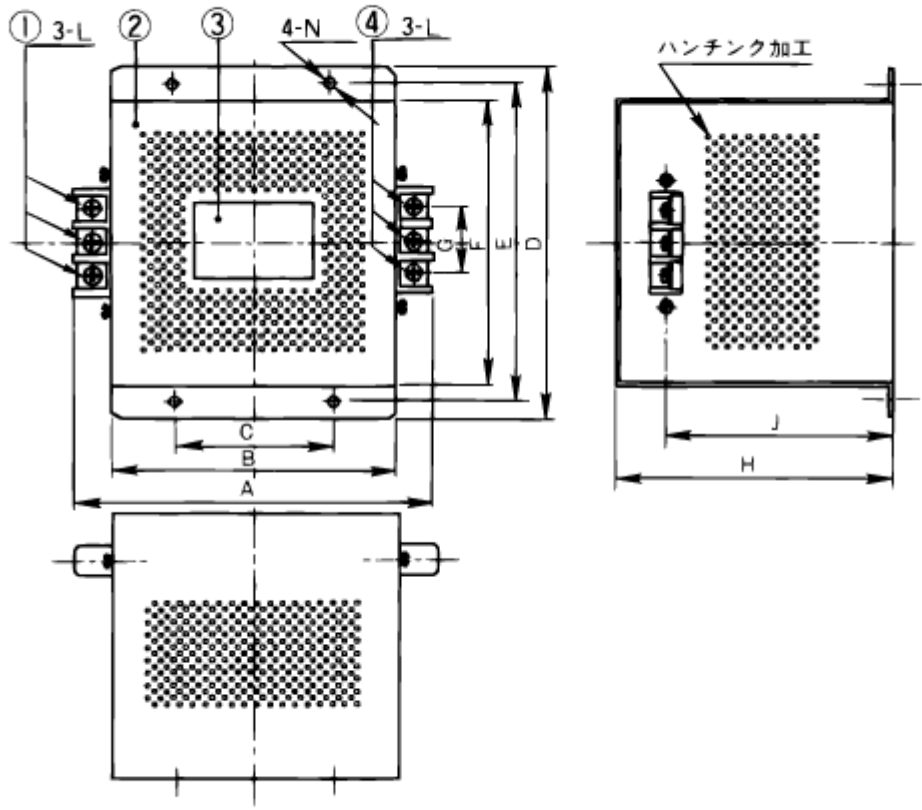
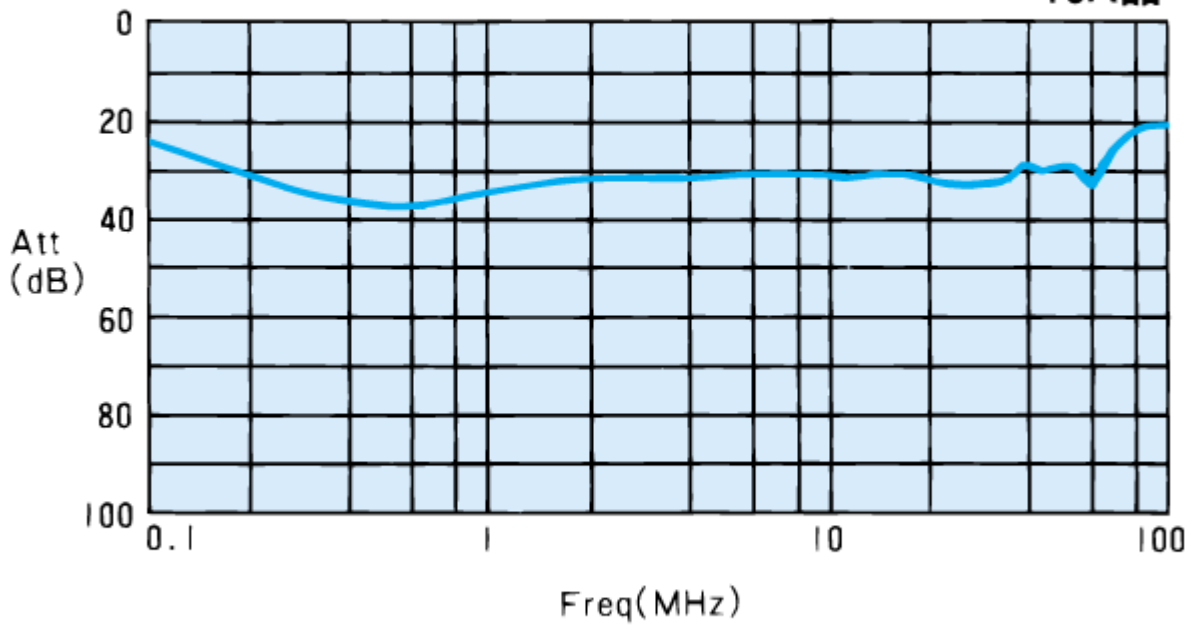


fig2 (40-150A)



Frequency Data

10A品



Circuit Diagram

