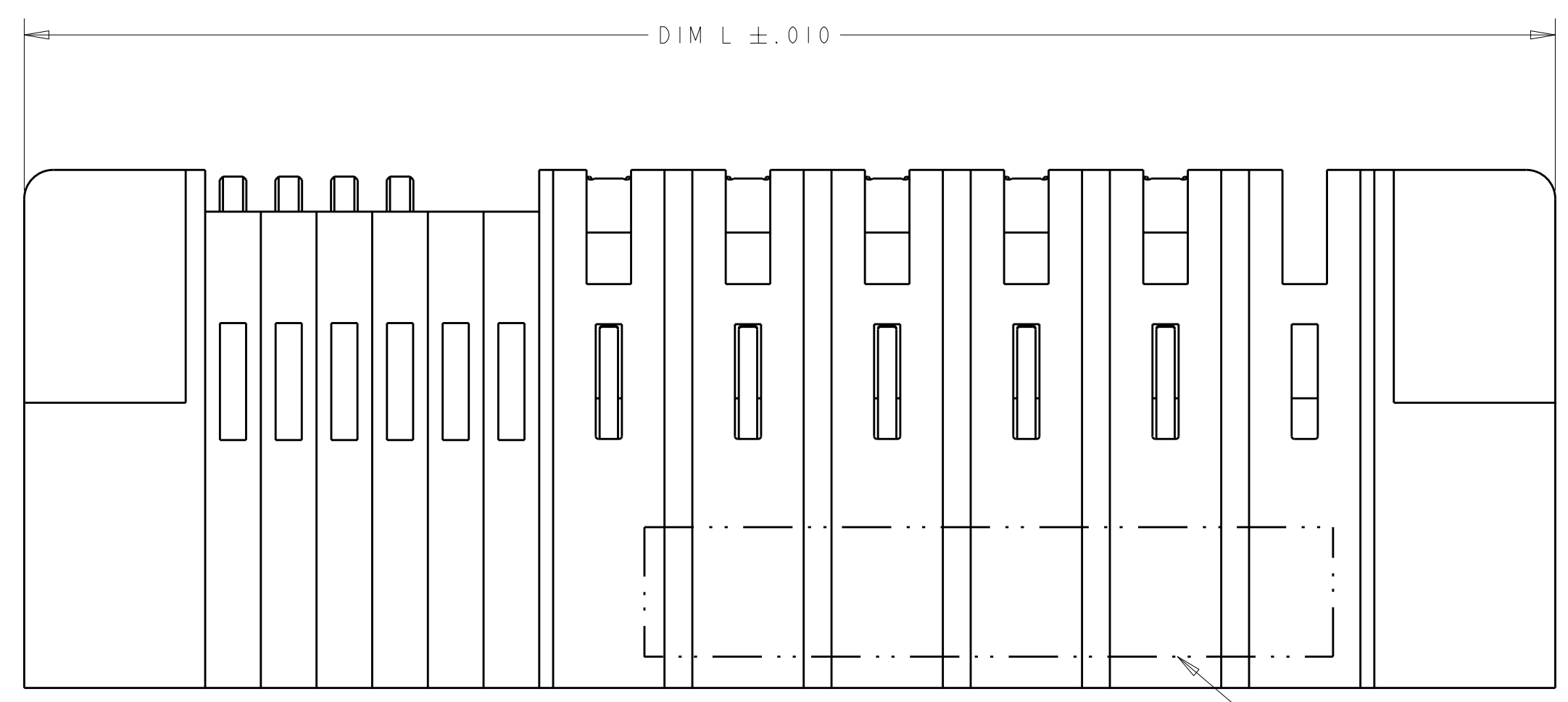
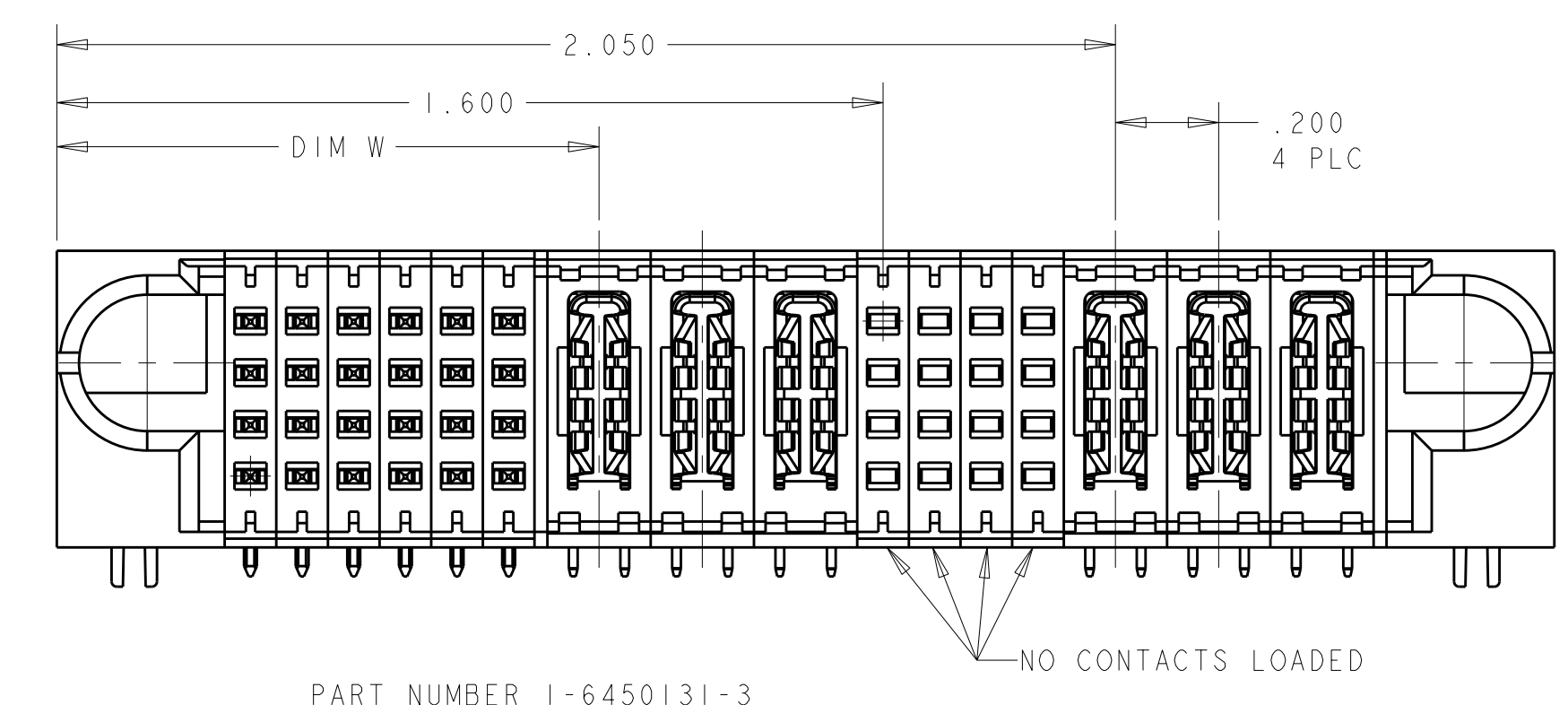
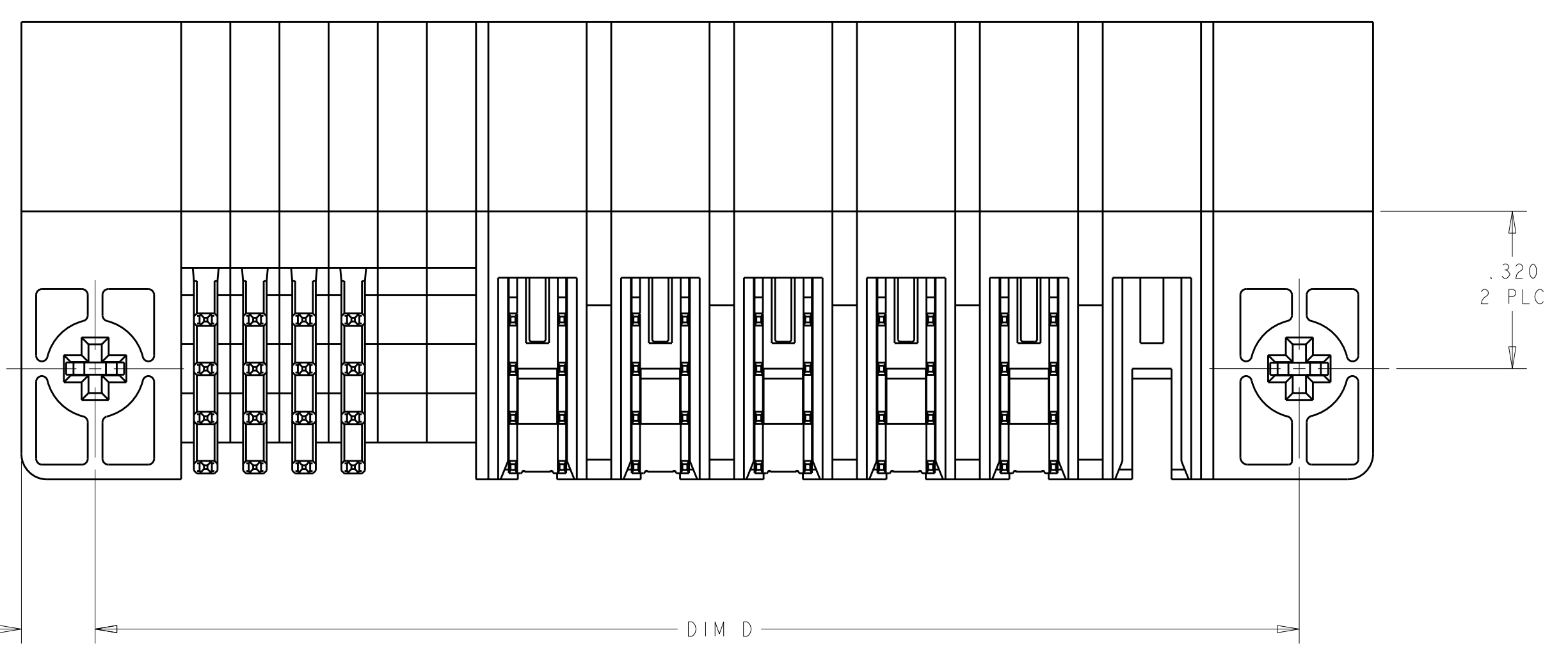
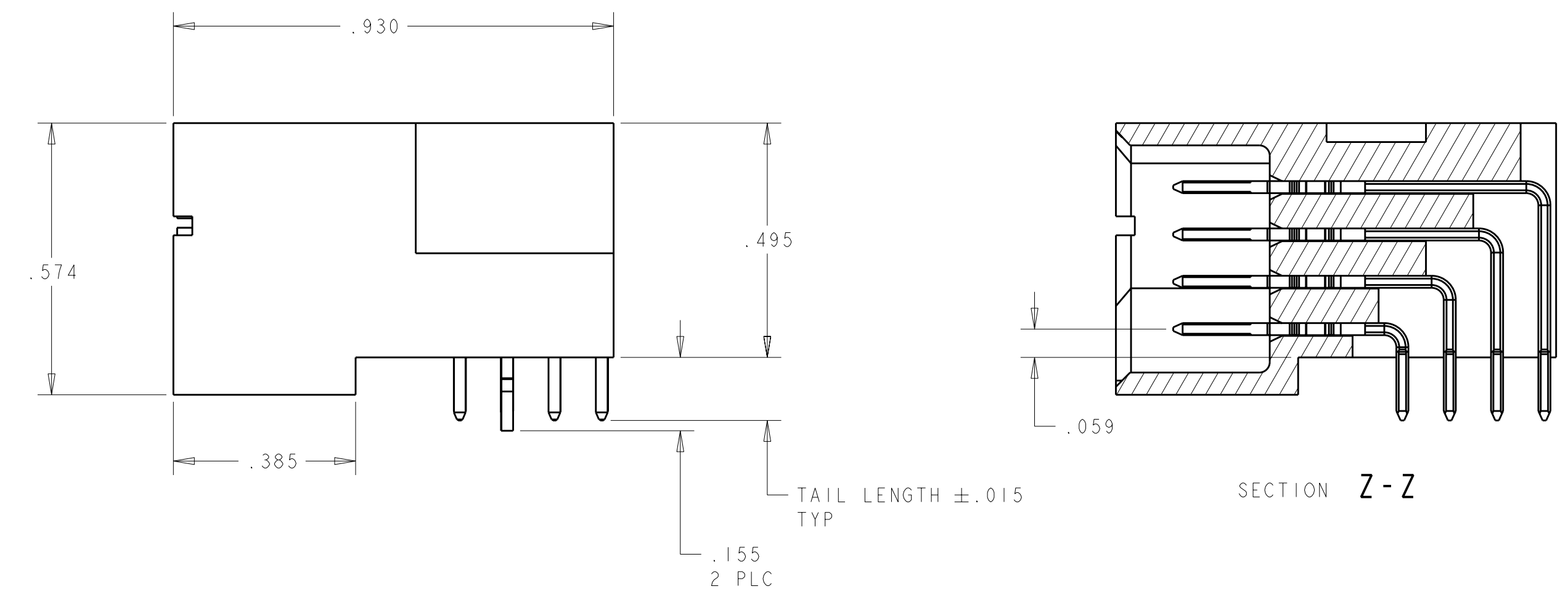
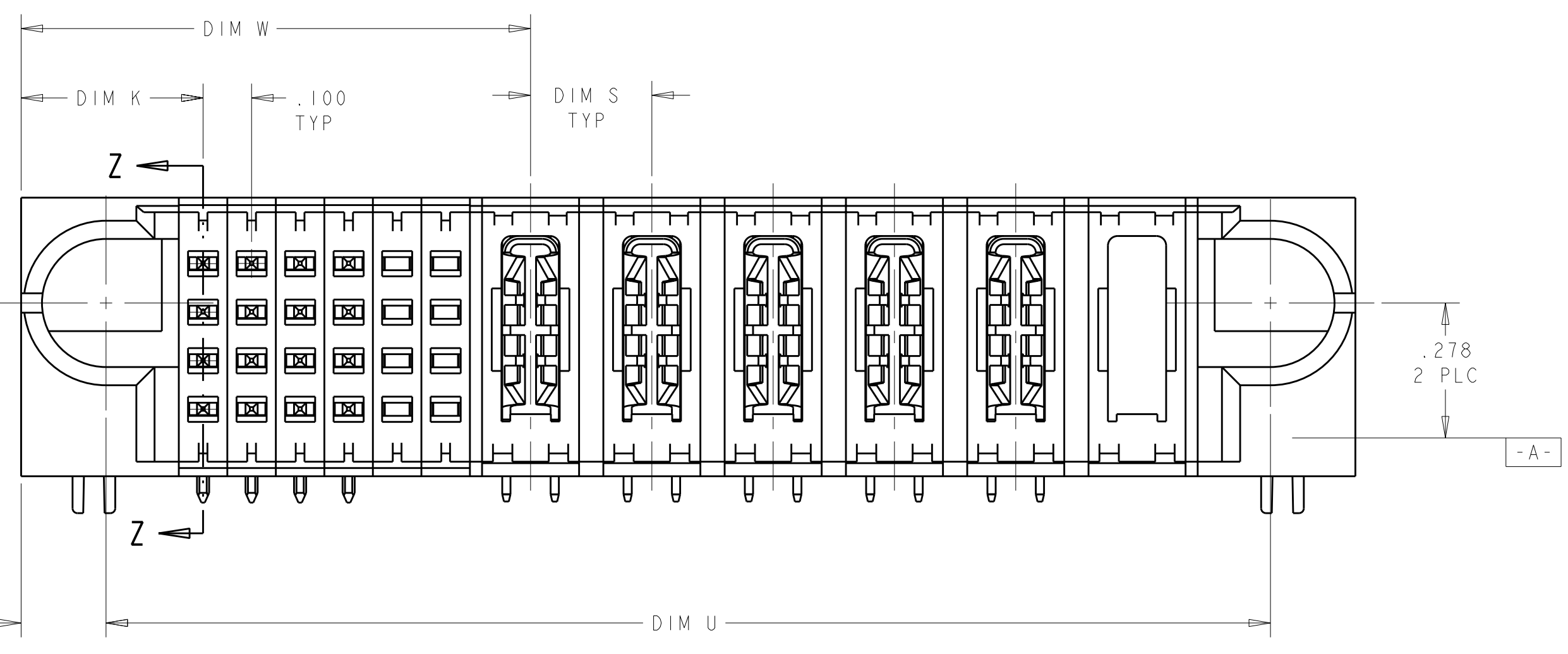


LOC	DIST	REV	DATE	BY	CHK	APPV
GP	00					
		D7	21MAY2009	IL	SY	
		D8	23JUN2009	HL	SY	



- △ "AMP", PART NUMBER, AND DATE CODE TO BE MARKED IN AREA SHOWN.
- △ MATERIAL: HOUSING - GLASS FILLED HIGH TEMP THERMO PLASTIC, UL94 V-0
 SIGNAL CONTACT - COPPER ALLOY
 POWER CONTACT - HIGH CONDUCTIVITY COPPER ALLOY
- △ CONTACT PLATING: SIGNAL CONTACTS - .000050 MIN Ni UNDER ALL.
 .000030 MIN Au ON CONTACT AREA.
 .000100 MIN Sn AT PCB INTERFACE.
 POWER CONTACTS - .000050 MIN Ni UNDER ALL.
 .000030 MIN Au AT CONTACT AREA.
 .000100 MIN Sn AT PCB INTERFACE.
- △ MECHANICAL CONNECTOR KEEP OUT ZONE.
- △ DATUM AND BASIC DIMENSIONS ESTABLISHED BY CUSTOMER.
- △ PCB - ALL HOLE DIAMETERS ARE FINISHED HOLE SIZES.
- △ PCB - .0453±.0010 DRILLED HOLES PLATED WITH .0003 MIN Sn OVER
 .001 TO .003 CU PLATING TO ACHIEVE A .040±.003 DIA HOLE




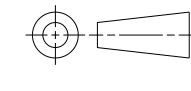
PART NUMBER 1-6450131-3

DIMENSIONS: INCHES 		TOLERANCES UNLESS OTHERWISE SPECIFIED: 9 PLC ±. 7 PLC ±.01 5 PLC ±.005 4 PLC ±.0020 ANGLES ±.020 FINISH		DWN R. GRZYBOWSKI 15FEB05 CHK M. PERCHERKE 15FEB05 APVD M. PERCHERKE PRODUCT SPEC 108-1973 APPLICATION SPEC 114-13038 WEIGHT CUSTOMER DRAWING		Tyco Electronics Corporation Harrisburg, PA 17105-3608 NAME: RIGHT ANGLE HEADER ASSY W/GUIDES MULTI-BEAM XL SIZE: A1 CAGE CODE: 00779 DRAWING NO: 6450131 SCALE: 1:1 SHEET: 1 OF 7 REV: D8	
---------------------------	--	---	--	---	--	--	--

THIS DRAWING IS UNPUBLISHED. RELEASED FOR PUBLICATION 20
 © COPYRIGHT 20 BY TYCO ELECTRONICS CORPORATION. ALL RIGHTS RESERVED.

LOC	DIST	REVISIONS			
GP	00	REV	DATE	BY	APPD
-	-	SEE SHEET 1	-	-	-

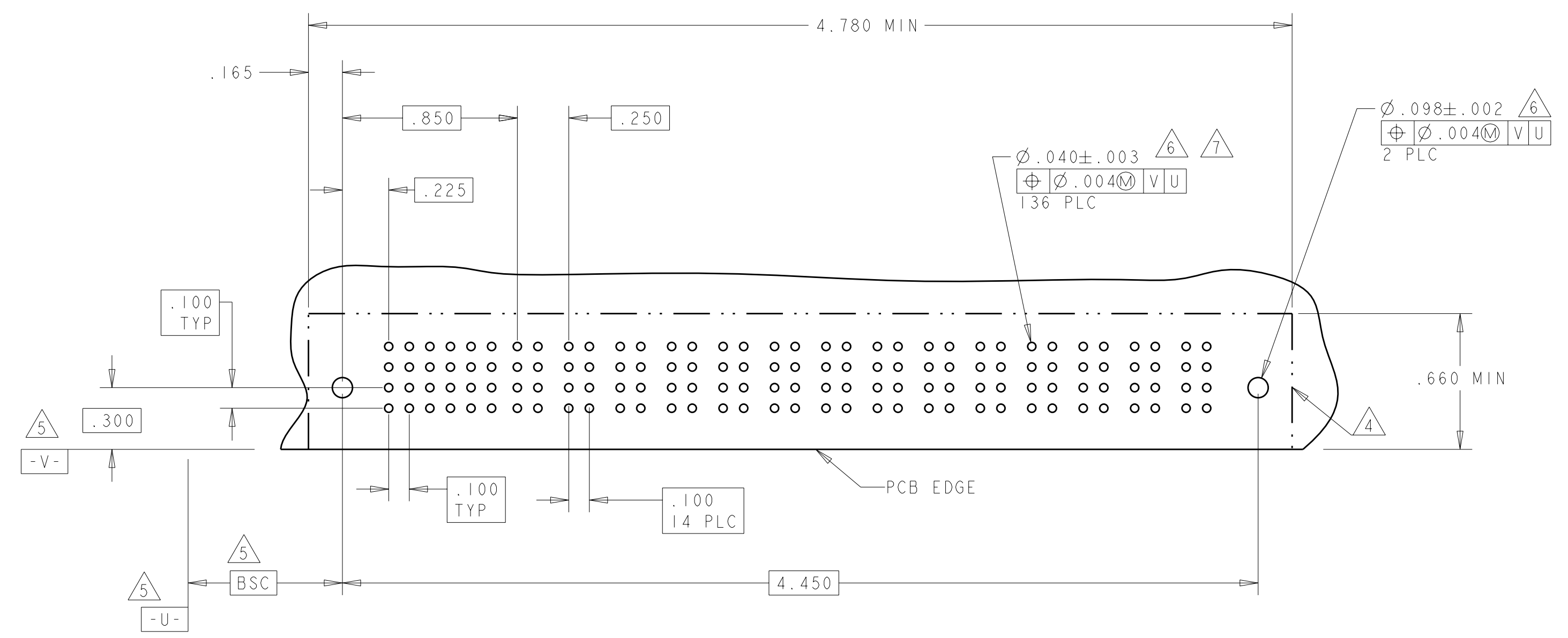
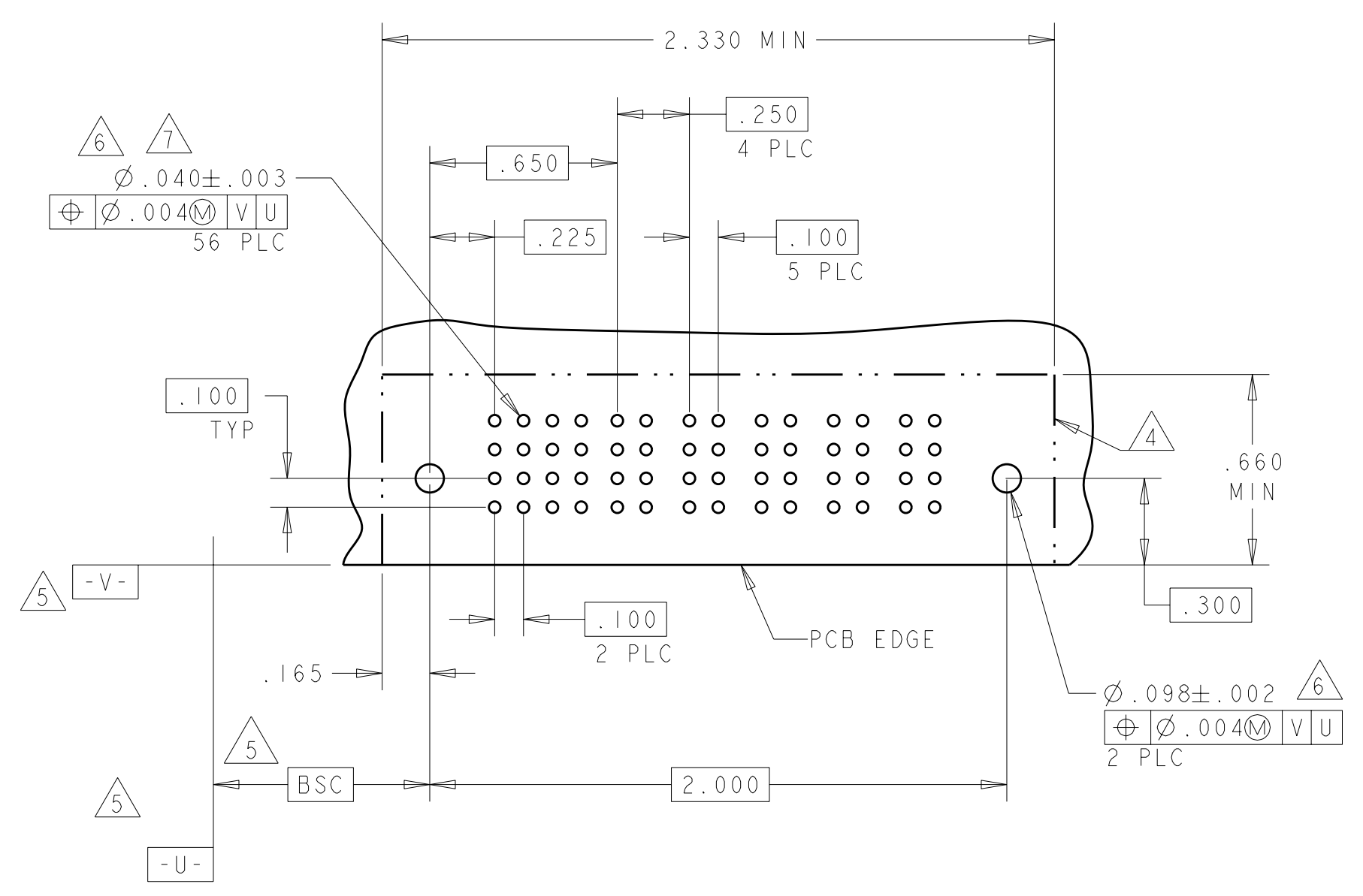
1.600	.250	.375	1.650	.750	1.950	12S + 4P	1-6450131-9
3.650	.250	.400	3.700	1.300	4.000	32S + 10P	1-6450131-8
2.950	.200	.375	3.000	1.050	3.300	24S + 10HDP	1-6450131-7
2.400	.250	.375	2.450	1.050	2.750	24S + 6P	1-6450131-6
2.450	.200	.375	2.500	.950	2.800	20S + 8P	1-6450131-5
2.400	.250	.375	2.450	1.050	2.750	24S + 6P	1-6450131-4
2.550	.200	.375	2.600	1.050	2.900	24S + 3P + 16S + 3P	1-6450131-3
1.400	.250	.375	1.450	.550	1.750	4S + 4P	1-6450131-2
2.500	.250	.425	2.550	.875	2.850	12S + 7P	1-6450131-1
2.400	.250	.375	2.450	1.050	2.750	24S + 6P	6450131-7
2.700	.300	.375	2.750	.775	3.050	12S + 7ACP	6450131-6
2.400	.250	.375	2.450	1.050	2.750	24S + 6P	6450131-5
4.400	.250	.375	4.450	1.050	4.750	24S + 14P	6450131-4
1.950	.250	.375	2.000	.850	2.300	16S + 5P	6450131-3
DIM U	DIM S	DIM K	DIM D	DIM W	DIM L	DESCRIPTION	PART NUMBER

<small>THIS DRAWING IS UNPUBLISHED. RELEASED FOR PUBLICATION 20 © COPYRIGHT 20 BY TYCO ELECTRONICS CORPORATION. ALL RIGHTS RESERVED.</small>		DWN R. GRZYBOWSKI 15FEB05 CHK M. PERCHERKE 15FEB05	 Tyco Electronics Corporation Harrisburg, PA 17105-3608
DIMENSIONS: INCHES 	TOLERANCES UNLESS OTHERWISE SPECIFIED: 9 PLC ±.01 8 PLC ±.01 5 PLC ±.005 4 PLC ±.0020 ANGLES ±.02° FINISH	NAME RIGHT ANGLE HEADER ASSY W/GUIDES MULTI-BEAM XL PRODUCT SPEC 108-1973 APPLICATION SPEC 114-13038 WEIGHT - CUSTOMER DRAWING	SIZE CAGE CODE DRAWING NO A1 00779 C=6450131 RESTRICTED TO SCALE 1:1 SHEET 2 OF 7 REV D8

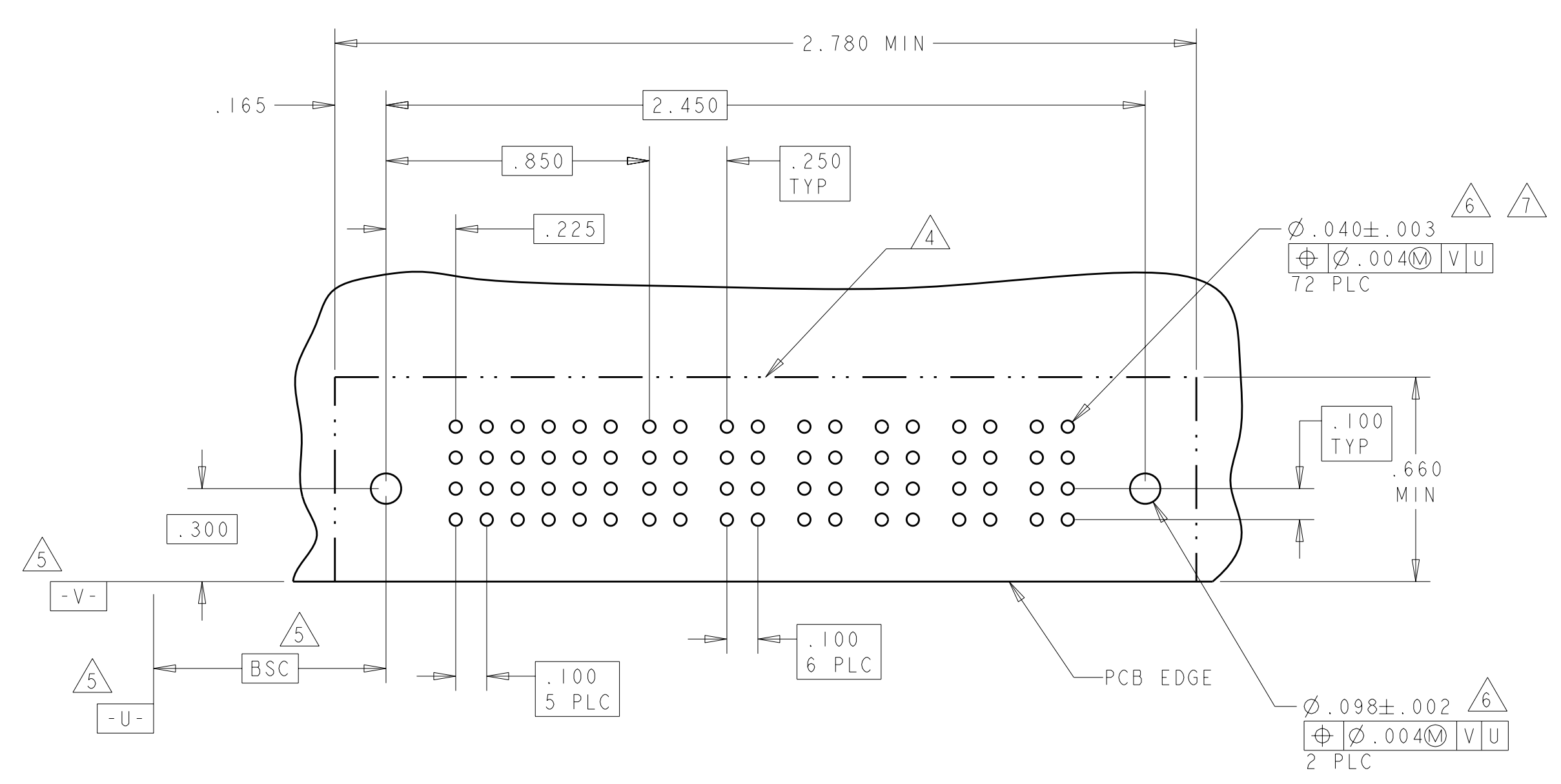
LOC	DIST	REV	DATE	BY	APPD
GP	00				
DESCRIPTION		DATE		BY	
SEE SHEET 1					

PART NUMBER	ROWS	SIGNAL				POWER					
		1	2	3	4	P1	P2	P3	P4	P5	
6450131-3	D	J	J	J	J	PM	PM	PM	PM	PM	
	C	K	K	K	K						
	B	N	N	N	N						
	A	S	S	S	H						
16S + 5P		HD									

PART NUMBER	ROWS	SIGNAL						POWER														
		1	2	3	4	5	6	P1	P2	P3	P4	P5	P6	P7	P8	P9	P10	P11	P12	P13	P14	
6450131-4	D	J	J	J	J	J	J	PM	PM	PM	PM	PM	PM	PM	PM	PM	PM	PM	PM	PM	PM	PM
	C	K	K	K	K	K	K															
	B	N	N	N	N	N	N															
	A	S	S	H	H	S	S															
24S + 14P		HD																				



PART NUMBER	ROWS	SIGNAL						POWER					
		1	2	3	4	5	6	P1	P2	P3	P4	P5	P6
6450131-5	D	J	J	J	J	J	E	PM	PM	PM	PM	PM	PM
	C	K	K	K	K	K	K						
	B	N	N	N	N	N	N						
	A	H	S	S	S	S	S						
24S + 6P		HD											



CODE	MATING SEQUENCE	TAIL LENGTH	ROW
Z	STD	.090	D
Y	STD	.090	C
R	STD	.090	B
O	STD	.090	A
A4	MLBF	.090	D
A3	MLBF	.090	C
A2	MLBF	.090	B
A1	MLBF	.090	A
E	MLBF	.135	D
F	MLBF	.135	C
G	MLBF	.135	B
H	MLBF	.135	A
FJ	MFLB	.135	D
J	STD	.135	D
K	STD	.135	C
N	STD	.135	B
S	STD	.135	A

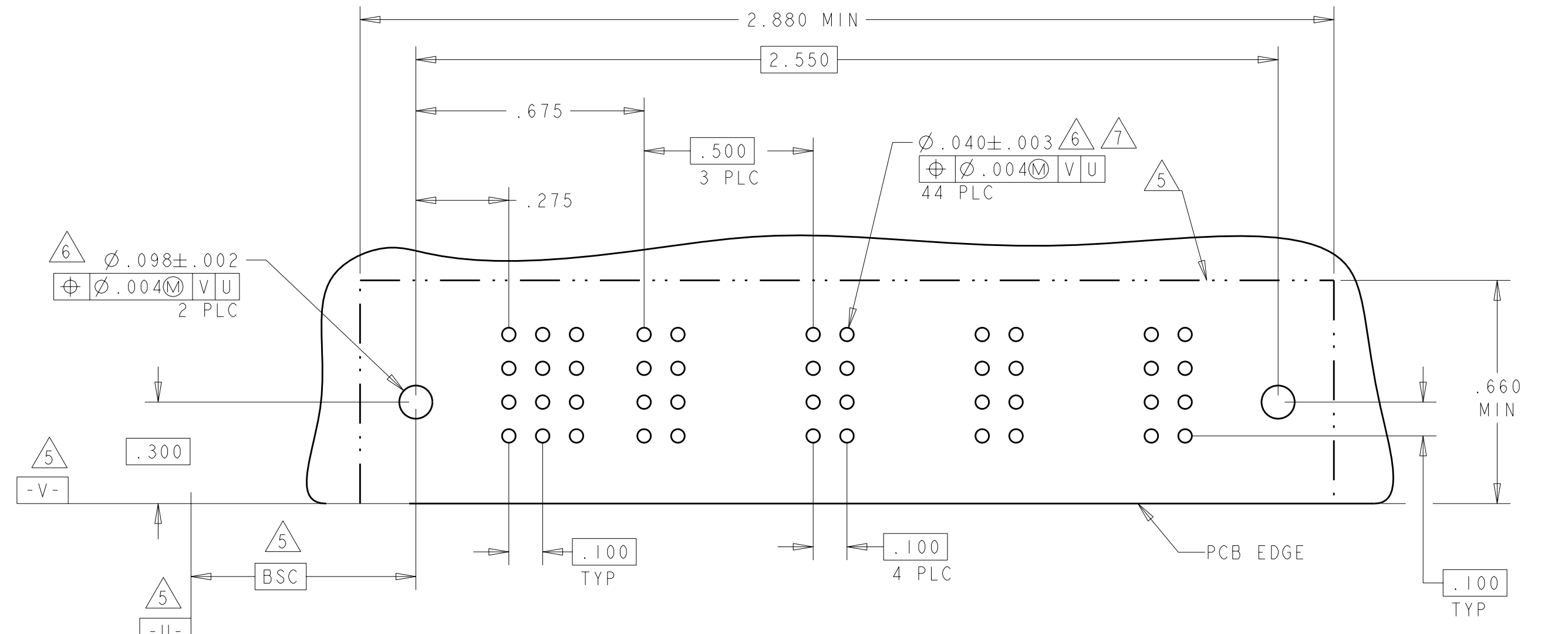
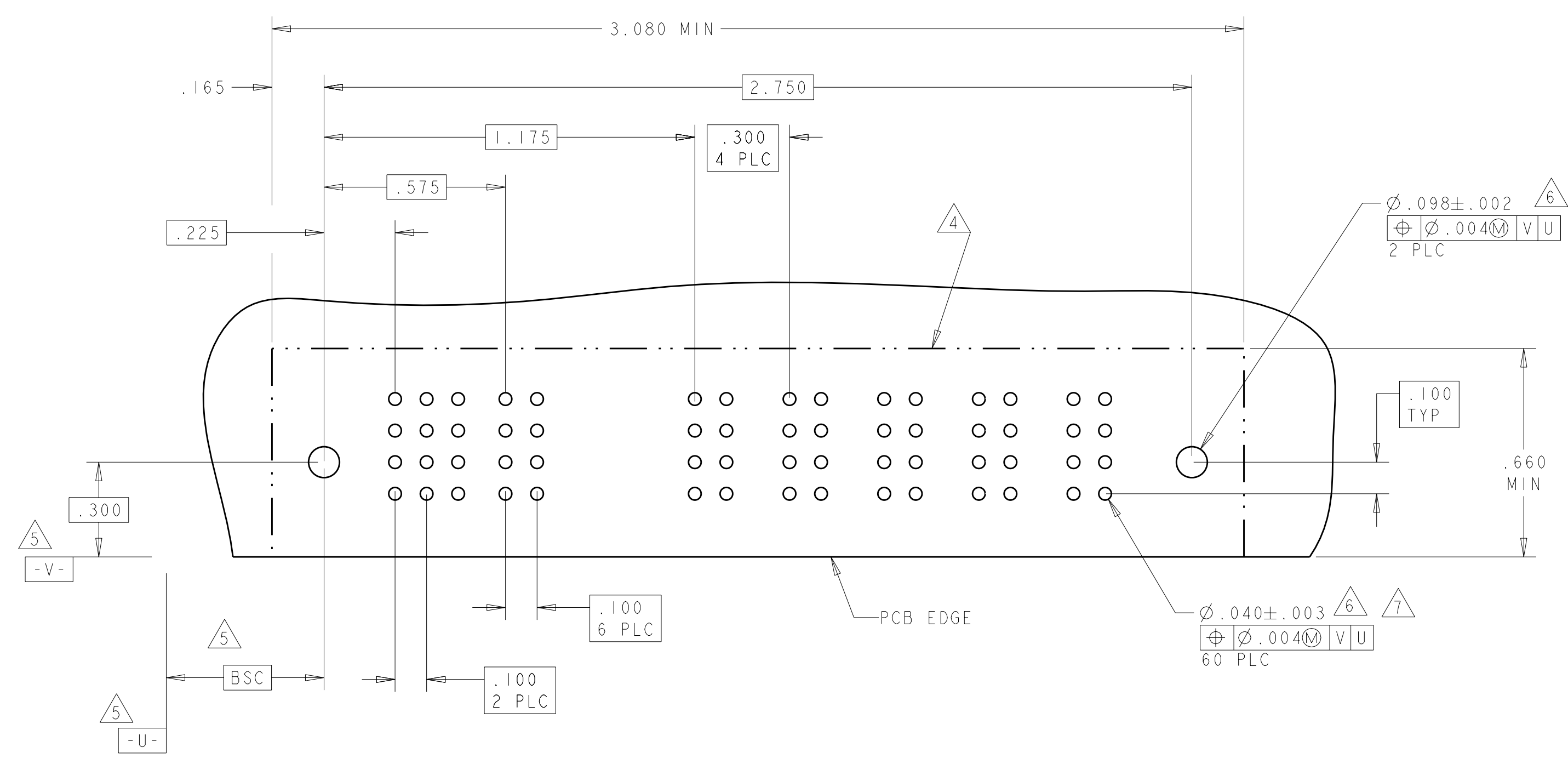
CODE	TAIL LENGTH
PA	.090
PM	.135

POWER CONTACT

DIMENSIONS: INCHES TOLERANCES UNLESS OTHERWISE SPECIFIED: 9 PLC ±.01 5 PLC ±.01 4 PLC ±.005 ANGLES ±.0020		DWN R. GRZYBOWSKI 15FEB05 CHK M. PERCHERKE 15FEB05 APVD M. PERCHERKE PRODUCT SPEC 108-1973 APPLICATION SPEC 114-13038 WEIGHT CUSTOMER DRAWING		Tyco Electronics Corporation Harrisburg, PA 17105-3608 NAME: RIGHT ANGLE HEADER ASSY W/GUIDES MULTI-BEAM XL SIZE: CAGE CODE DRAWING NO: A11 00779 C=6450131 RESTRICTED TO: SCALE 1:1 SHEET 3 OF 7 REV D8	
--	--	---	--	--	--

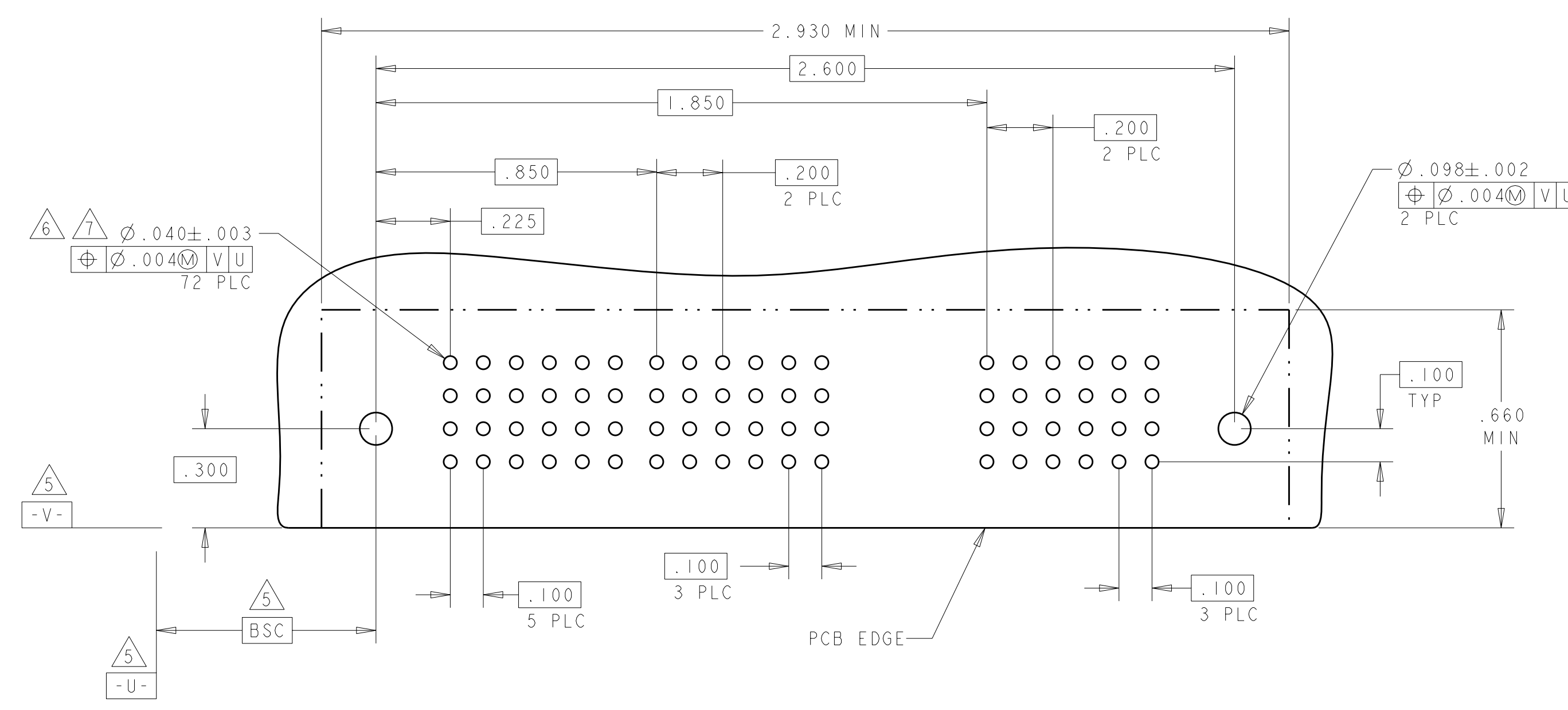
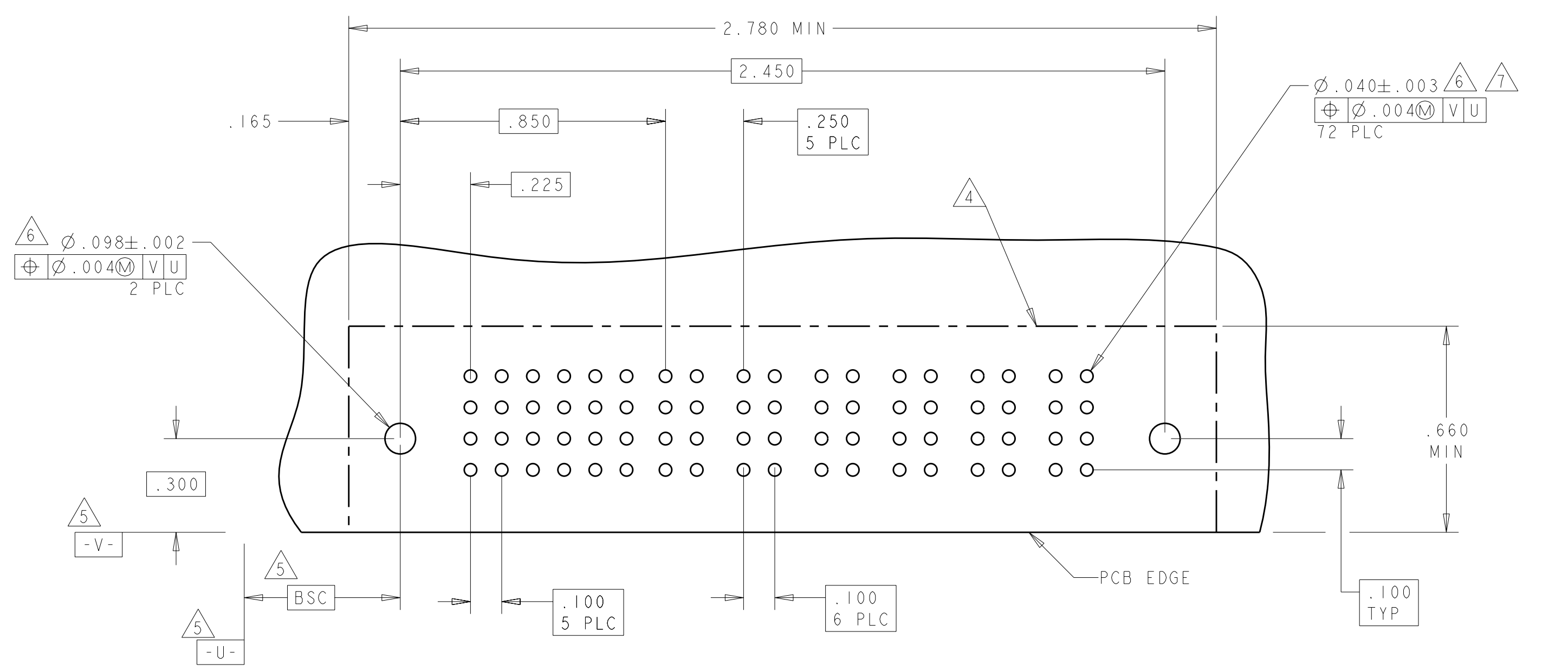
PART NUMBER	ROWS	SIGNAL			POWER						
		1	2	3	P1	P2	P3	P4	P5	P6	P7
6450131-6	D C B A	Z	Z	Z	PA	PA	PA	PA	PA	PA	PA
		Y	Y	Y							
		R	R	R							
		A	O	O							

PART NUMBER	ROWS	SIGNAL			POWER						
		1	2	3	P1	P2	P3	P4	P5	P6	P7
1-6450131-1	D C B A	J	J	J	PM	PM	PM	PM	PM	PM	PM
		K	K	K							
		N	N	N							
		S	S	S							



PART NUMBER	ROWS	SIGNAL						POWER					
		1	2	3	4	5	6	P1	P2	P3	P4	P5	P6
6450131-7	D C B A	E	E	J	J	J	E	PM	PM	PM	PM	PM	PM
		F	F	K	K	K	K						
		G	G	N	N	N	N						
		H	H	S	S	S	S						

PART NUMBER	ROWS	SIGNAL						POWER			SIGNAL			POWER			
		1	2	3	4	5	6	P1	P2	P3	7	8	9	10	P4	P5	P6
1-6450131-3	D C B A	J	J	J	J	J	E	PM	PM	PM	PM	PM	PM	PM	PM	PM	PM
		K	K	K	K	K	K										
		N	N	N	N	N	N										
		H	S	S	S	S	S										

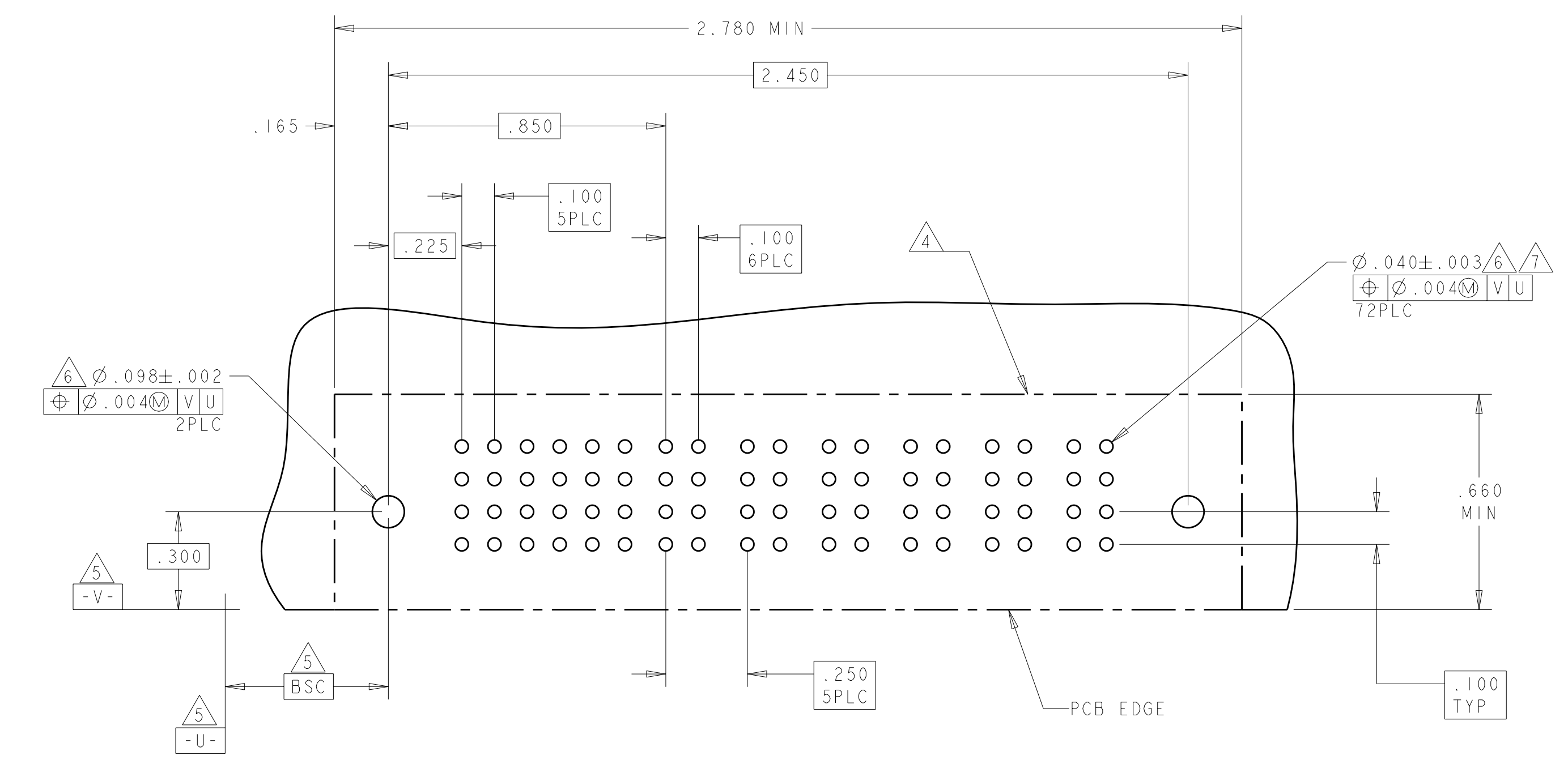
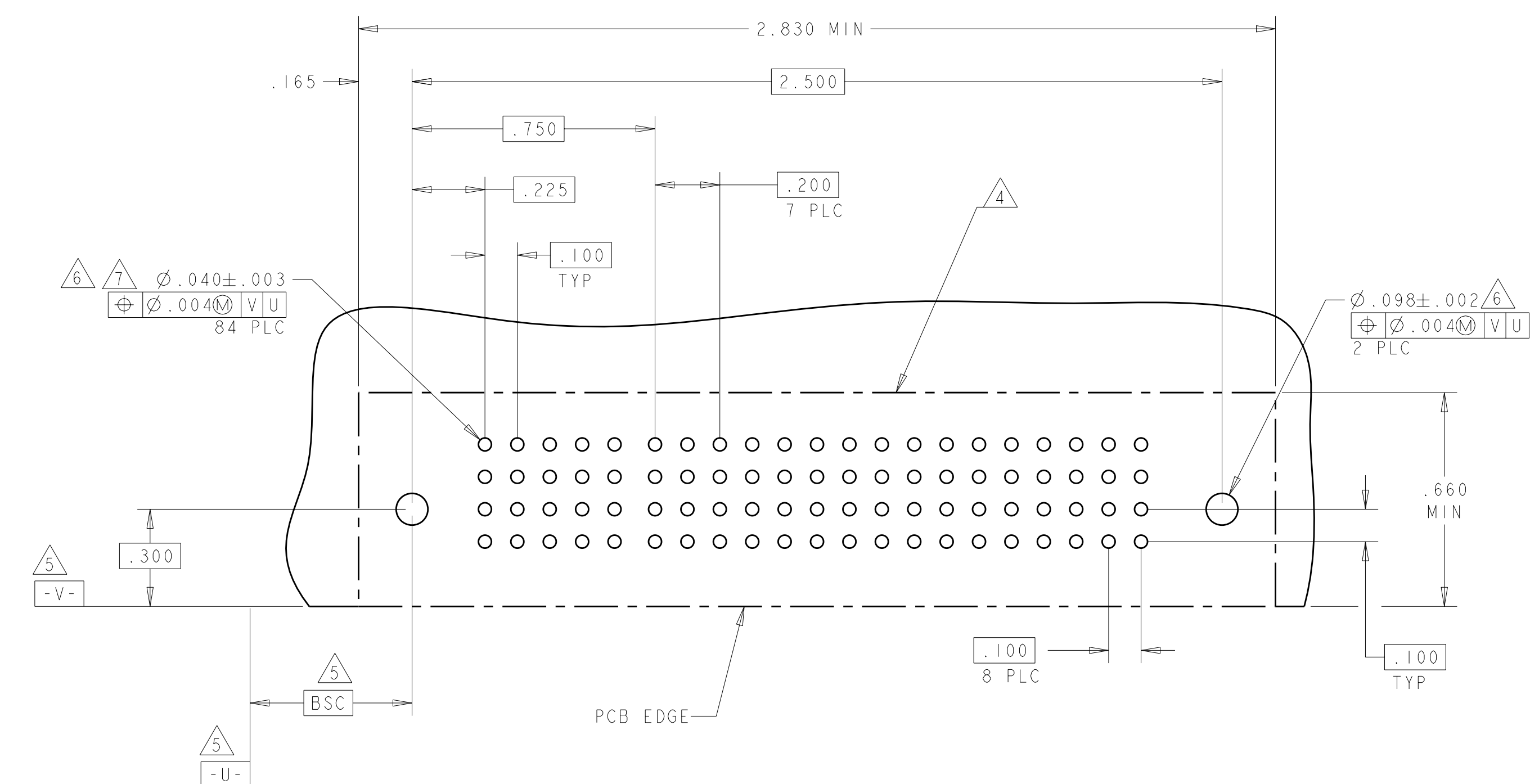
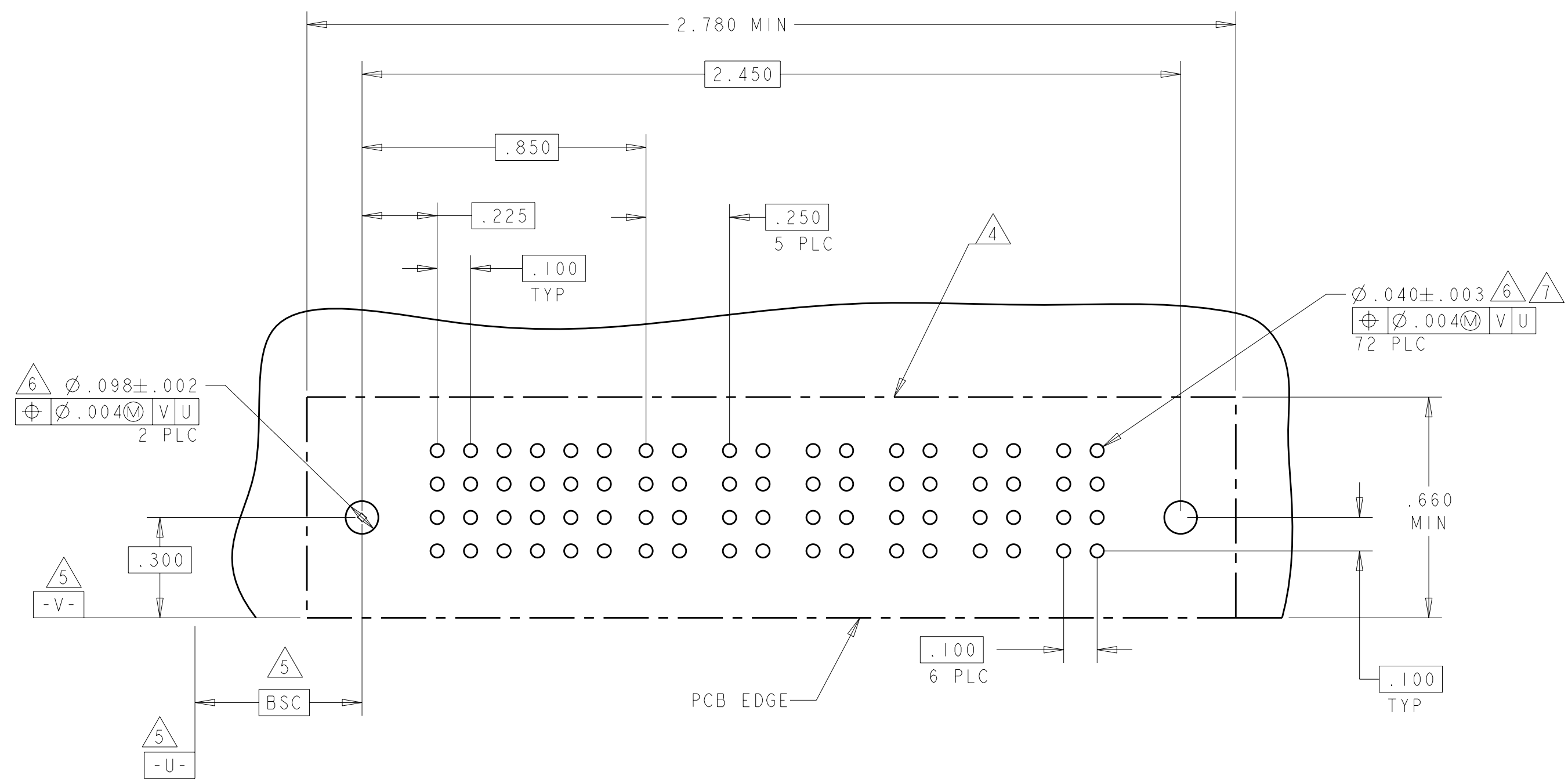


DIMENSIONS: INCHES		TOLERANCES UNLESS OTHERWISE SPECIFIED:		DWN R. GRZYBOWSKI 15FEB05		Tyco Electronics Corporation Harrisburg, PA 17105-3608	
9 PLC	±.01	9 PLC	±.01	CHK M. PERCHERKE 15FEB05	NAME	RIGHT ANGLE HEADER ASSY W/GUIDES MULTI-BEAM XL	
5 PLC	±.005	5 PLC	±.005	APVD	PRODUCT SPEC	SIZE	CAGE CODE DRAWING NO
4 PLC	±.0020	4 PLC	±.0020	114-13038	APPLICATION SPEC	114-13038	00779
ANGLES	±.0020	ANGLES	±.0020	114-13038	WEIGHT	SCALE	1:1
MATERIAL		FINISH		CUSTOMER DRAWING	REVISIONS	4	7

LOC	DIST	REV	DATE	BY	APPD
GP	00				

PART NUMBER	ROWS	SIGNAL						POWER							
		1	2	3	4	5	6	P1	P2	P3	P4	P5	P6		
1-6450131-4	D	J	J	J	J	J	J	PM	PM	PM	PM	PM	PM		
	C	K	K	K	K	K	K								
	B	N	N	N	G	N	N								
	A	S	S	S	H	S	S								
24S + 6P		HD												HD	

PART NUMBER	ROWS	SIGNAL					POWER								
		1	2	3	4	5	P1	P2	P3	P4	P5	P6	P7	P8	
1-6450131-5	D	J	J	J	J	J	PM	PM	PM	PM	PM	PM	PM	PM	
	C	K	K	K	K	K									
	B	N	G	N	N	N									
	A	S	S	S	S	S									
20S + 8P		HD												HD	



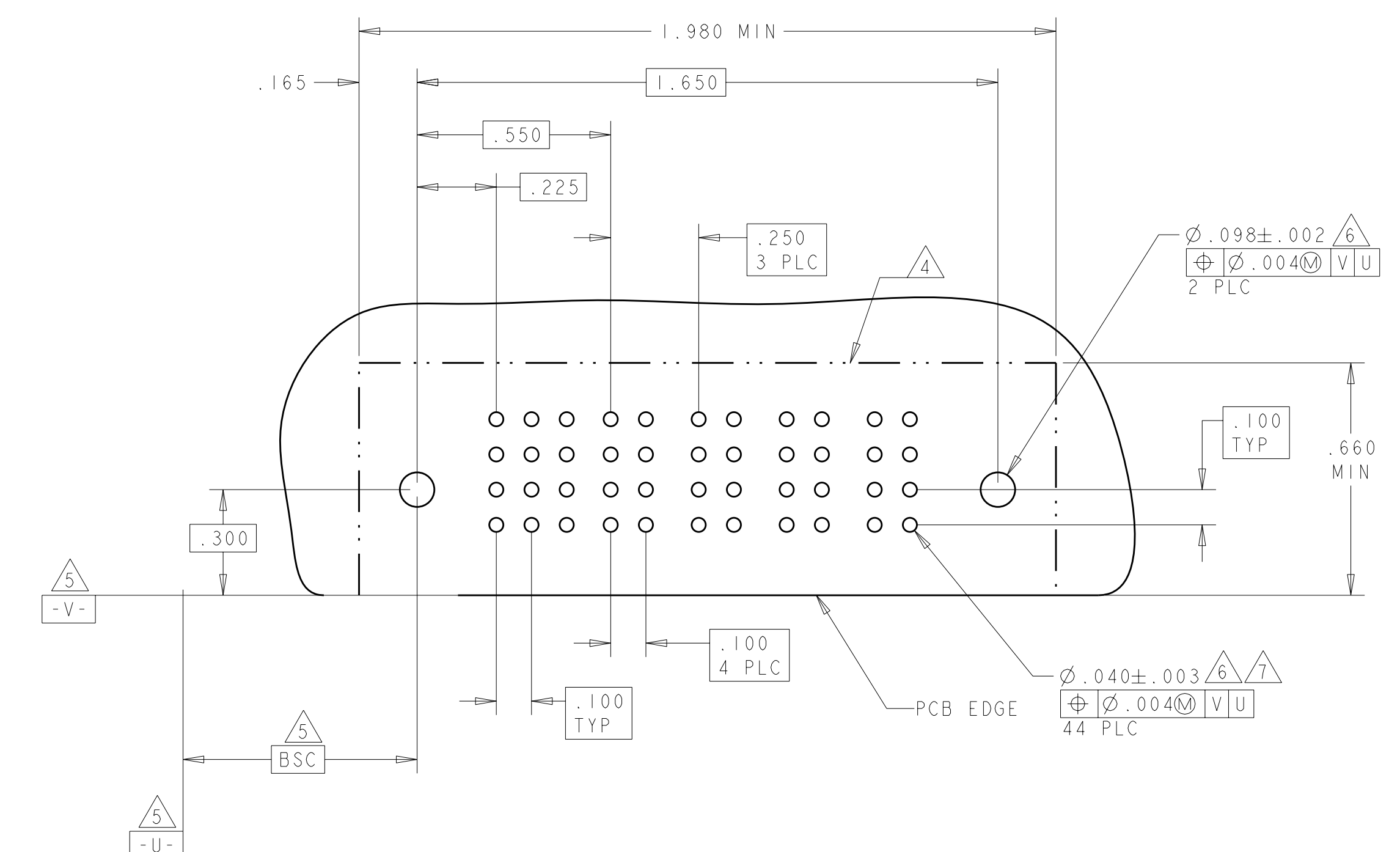
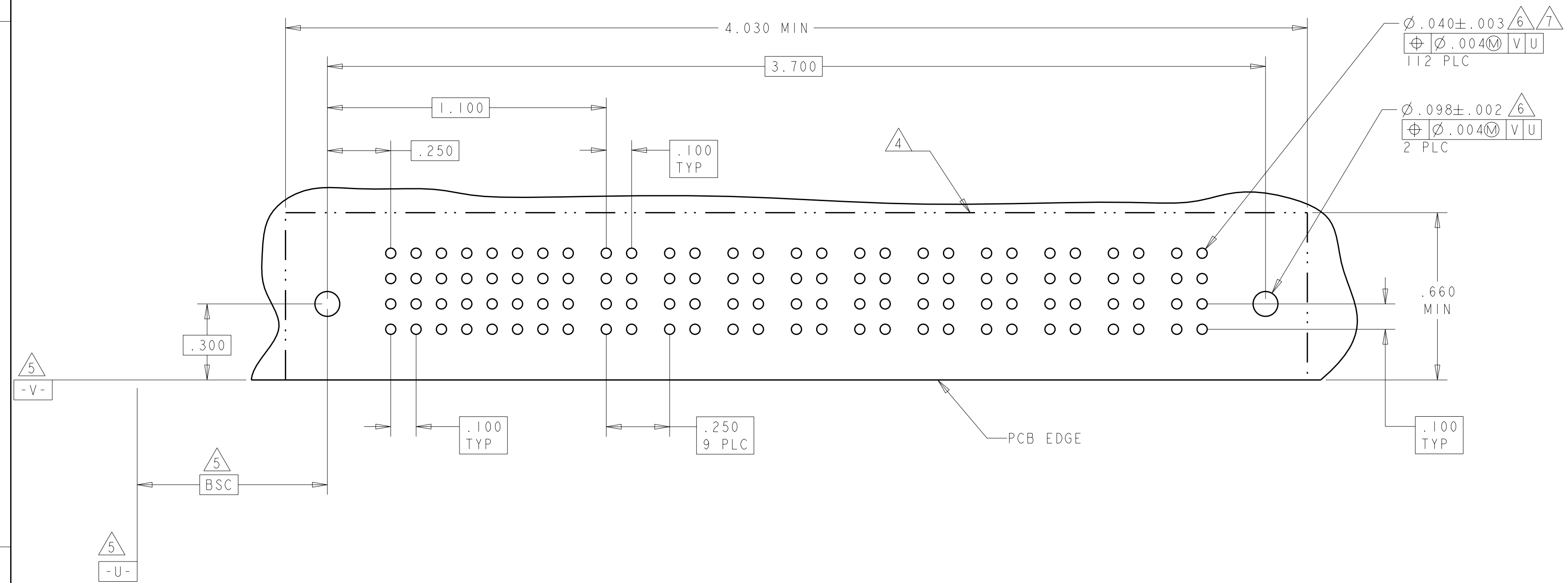
PART NUMBER	ROWS	SIGNAL						POWER							
		1	2	3	4	5	6	P1	P2	P3	P4	P5	P6		
1-6450131-6	D	J	J	J	J	J	E	PM	PM	PM	PM	PM	PM		
	C	K	K	K	K	K	K								
	B	N	N	N	N	N	N								
	A	H	S	S	S	S	S								
24S + 6P		HD												HD	

DIMENSIONS: INCHES 		TOLERANCES UNLESS OTHERWISE SPECIFIED: 9 PLC ±.01 5 PLC ±.01 4 PLC ±.0020 ANGLES .0020		DWN R. GRZYBOWSKI 15FEB05 CHK M. PERCHERKE 15FEB05 APVD M. PERCHERKE PRODUCT SPEC 108-1973 APPLICATION SPEC 114-13038 WEIGHT CUSTOMER DRAWING		Tyco Electronics Corporation Harrisburg, PA 17105-3608 NAME: RIGHT ANGLE HEADER ASSY W/GUIDES MULTI-BEAM XL SIZE: A1 CAGE CODE: 00779 DRAWING NO: 6450131 SCALE: 1:1 SHEET 5 OF 7 REV D8	
------------------------	--	--	--	---	--	--	--

LOC	DIST	REVISIONS			
GP	00	REV	DATE	BY	APPD
		1	SEE SHEET 1		

PART NUMBER	ROWS	SIGNAL								POWER									
		1	2	3	4	5	6	7	8	P1	P2	P3	P4	P5	P6	P7	P8	P9	P10
I-6450131-8	D	J	J	J	J	J	J	J	J	PM	PM	PM	PM	PM	PM	PM	PM	PM	PM
	C	K	K	K	F	F	K	K	K										
	B	N	N	N	G	G	N	N	N										
	A	S	S	S	S	S	S	S	S										
32S + 10P		HD		HD		HD		HD		HD		HD		HD		HD		HD	

PART NUMBER	ROWS	SIGNAL			POWER			
		1	2	3	P1	P2	P3	P4
I-6450131-9	D	J	FJ	FJ				
	C	K	K	K	PM	PM	PM	PM
	B	N	N	N				
	A	H	H	S				
12S + 4P		HD		HD		HD		



DIMENSIONS: INCHES 		TOLERANCES UNLESS OTHERWISE SPECIFIED: 9 PLC ±.01 8 PLC ±.01 5 PLC ±.005 4 PLC ±.0020 ANGLES ±.020		DWN R. GRZYBOWSKI 15FEB05 CHK M. PERCHERKE 15FEB05 APVD M. PERCHERKE PRODUCT SPEC 108-1973 APPLICATION SPEC 114-13038 WEIGHT CUSTOMER DRAWING		Tyco Electronics Corporation Harrisburg, PA 17105-3608 NAME: RIGHT ANGLE HEADER ASSY W/GUIDES MULTI-BEAM XL SIZE: A1 CAGE CODE: 00779 DRAWING NO: 6450131 SCALE: 1:1 SHEET: 7 OF 7 REV: D8	
---------------------------	--	---	--	---	--	--	--