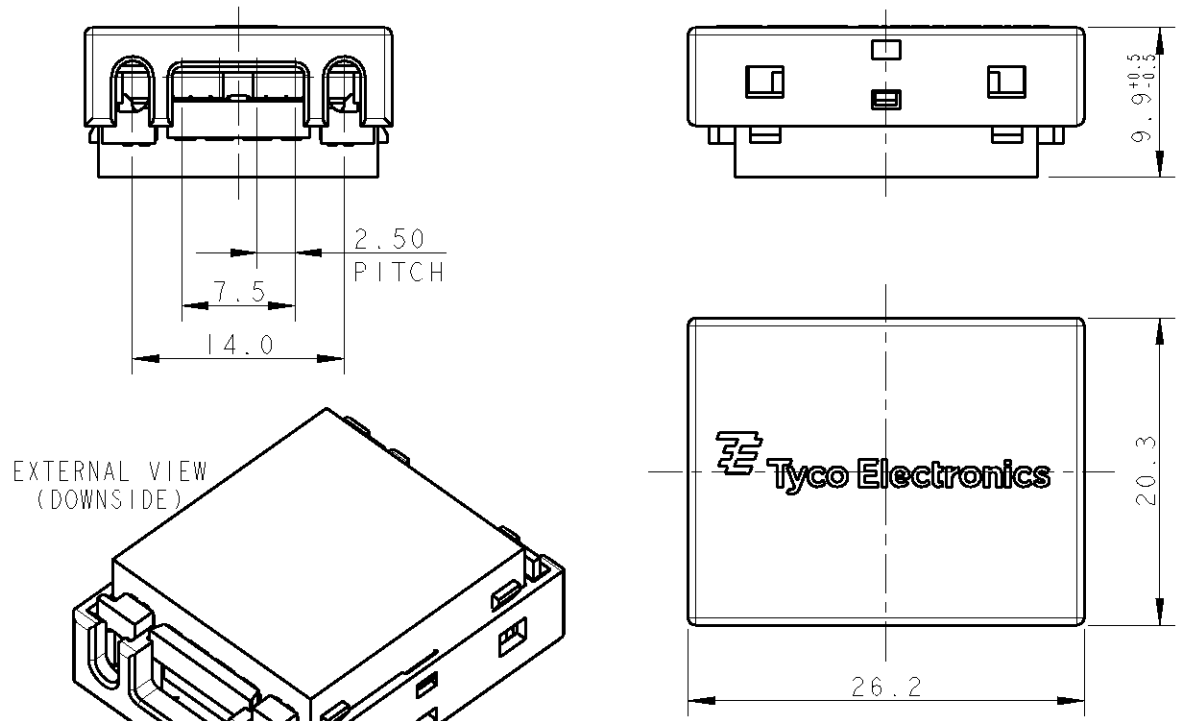


THIS DRAWING IS UNPUBLISHED. RELEASED FOR PUBLICATION 2008
 © COPYRIGHT 2008 BY TYCO ELECTRONICS CORPORATION. ALL RIGHTS RESERVED.

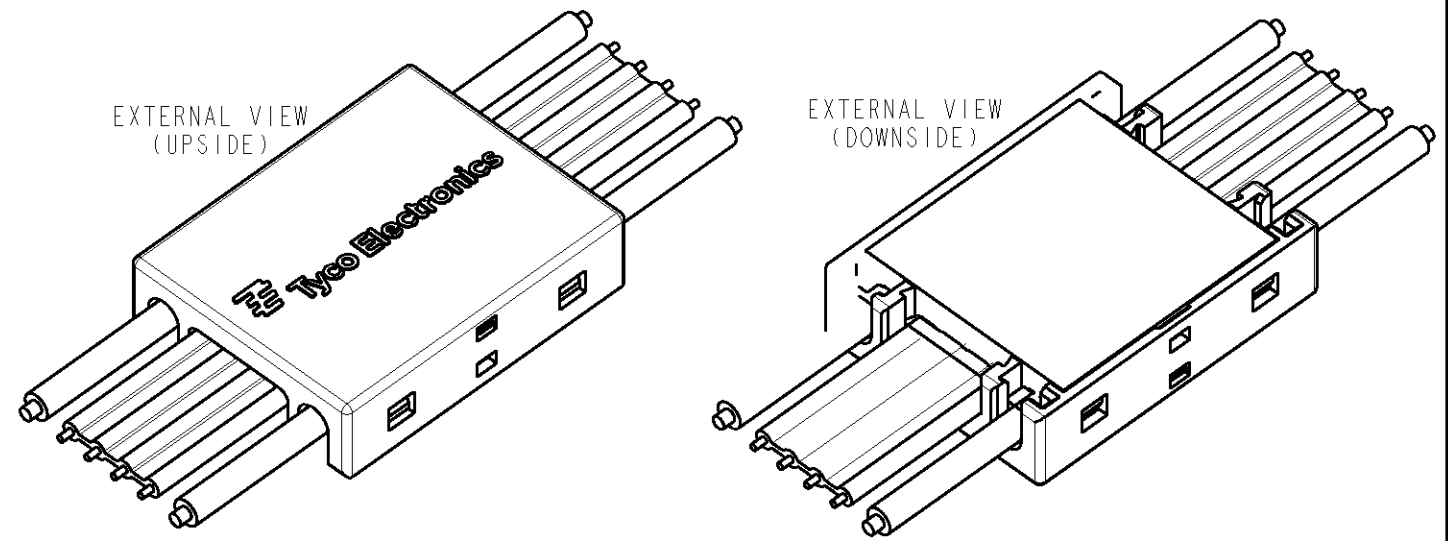
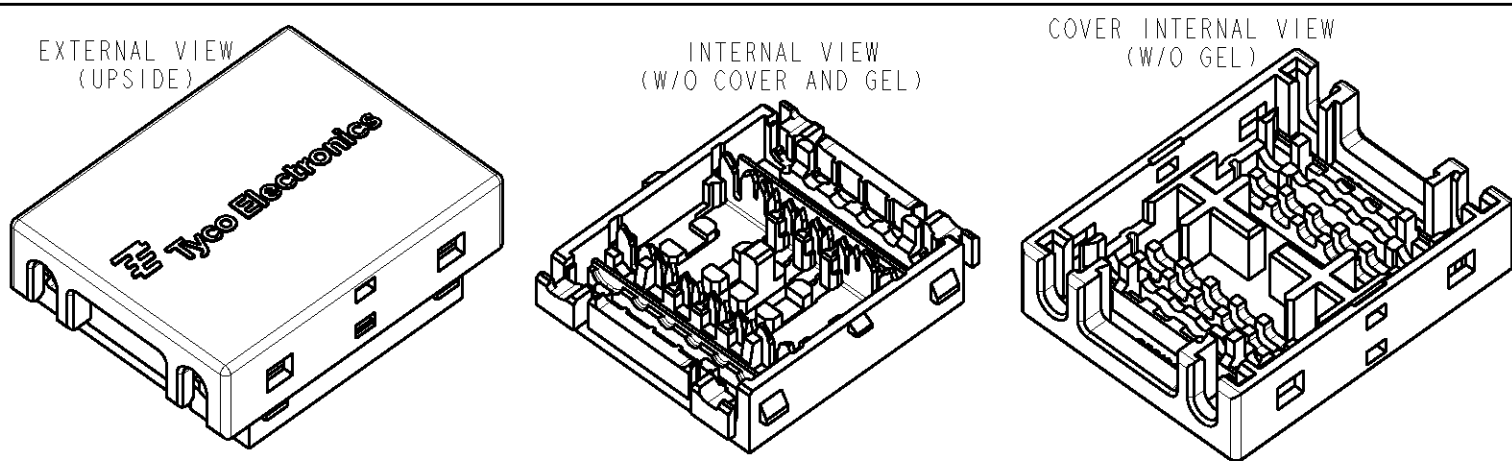
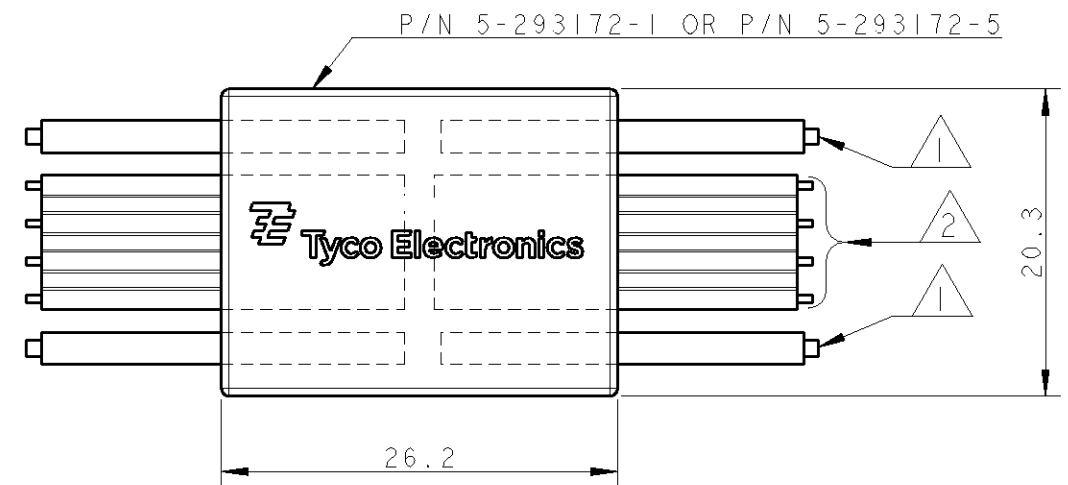
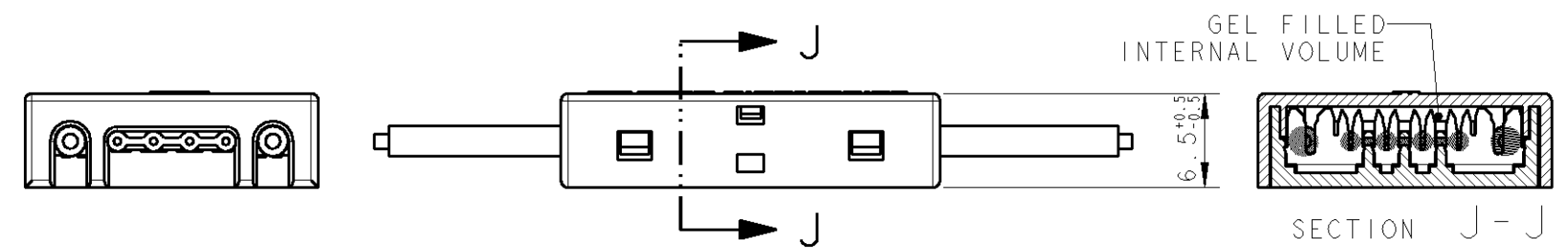
LOC	DIST	REVISIONS					
		P	LTR	DESCRIPTION	DATE	DWN	APVD
			B	RELEASE FOR PRODUCTION	04JUL2008	D.C.	G.T.
			BI	UPDATED TYCO ELECTRONICS LOGO	16JUL2008	D.C.	G.T.

P/N 5-293172-1 (REV. A) AS SHOWN
 (STANDARD VERSION: TRANSPARENT, NO COLOUR)
 OR
 P/N 5-293172-5 (REV. B) AS SHOWN
 (STANDARD VERSION: TRANSPARENT, LIGHT GREEN COLOUR)

APPLICATION (THE CASE WHERE ALL THE WIRES ARE CRIMPED)



PRE-ASSEMBLY SUPPLY CONDITION



- 1 SINGLE CABLE (SOLID TINNED WIRE);
 20AWG, 18AWG, 0.50mm², 0.75mm²
 INSULATION DIAMETER: 1.50mm MIN/2.20mm MAX;
 INSULATION MATERIAL: PVC.
- 2 RIBBON CABLE, 4 WIRES
 PITCH 2.50±0.10mm, NOMINAL WIDTH: 8.6mm
 AWG26/7 (SOLDERED TINNED STRANDS) OR AWG24/7 (TINNED STRANDS);
 INSULATION MATERIAL: PVC.

THIS DRAWING IS A CONTROLLED DOCUMENT FOR TYCO ELECTRONICS CORPORATION
 IT IS SUBJECT TO CHANGE AND THE CONTROLLING ENGINEERING ORGANIZATION
 SHOULD BE CONTACTED FOR THE LATEST REVISION.

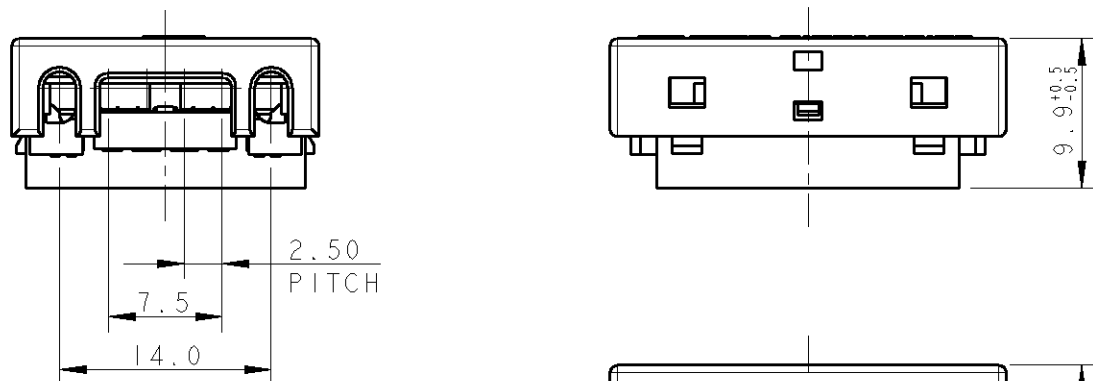
DIMENSIONS:		TOLERANCES UNLESS OTHERWISE SPECIFIED:	
mm			
		0 PLC	±0.5
		1 PLC	±0.3
		2 PLC	±0.1
		3 PLC	±
		4 PLC	±
		ANGLES	±1°
MATERIAL		FINISH	
PC UNFILLED TRANSPARENT COLOURS ACC. TO UL94-V0 (3mm)		-	

DWN	20DEC2005
CHK	D. CHIARELLI
APVD	G. TURCO
PRODUCT SPEC	20DEC2005
APPLICATION SPEC	
WEIGHT	-
CUSTOMER DRAWING	

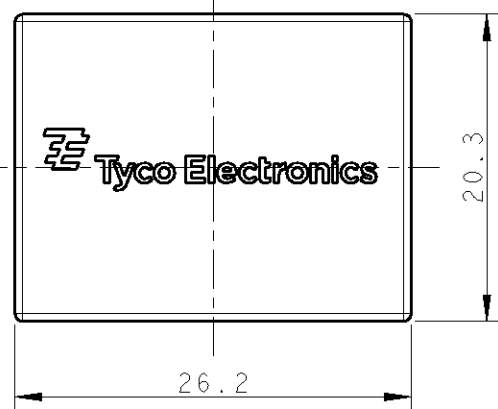
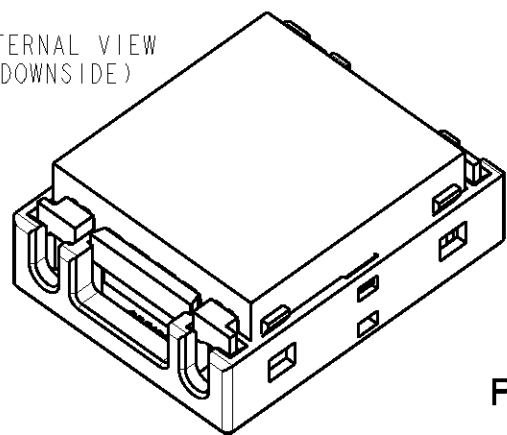
		tyco Electronics AMP Italia S.p.A. C.so F.lli Cervi, 15 - Collegno (TO)	
NAME		4 POS. SEALED CONNECTOR FOR SOLID STATE LED LIGHTING APPLICATION	
SIZE	CAGE CODE	DRAWING NO	RESTRICTED TO
A3	00779	C=293172	-
SCALE 2:1		SHEET 1 OF 2 REV B1	

THIS DRAWING IS UNPUBLISHED. RELEASED FOR PUBLICATION 2008
 © COPYRIGHT 2008 BY TYCO ELECTRONICS CORPORATION. ALL RIGHTS RESERVED.

P/N 5-293172-2 (REV. A) AS SHOWN
 (CABLE-END VERSION: TRANSPARENT, LIGHT BLUE COLOUR RAL 5024)

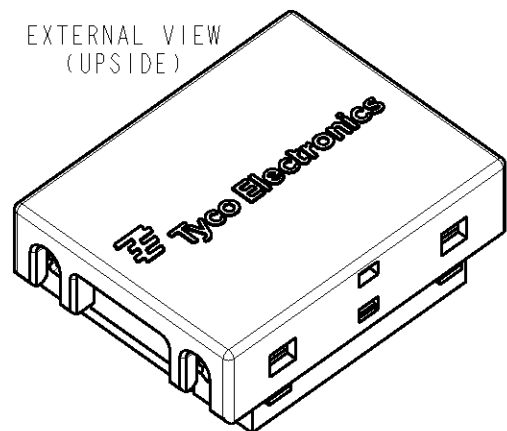


EXTERNAL VIEW (DOWNSIDE)

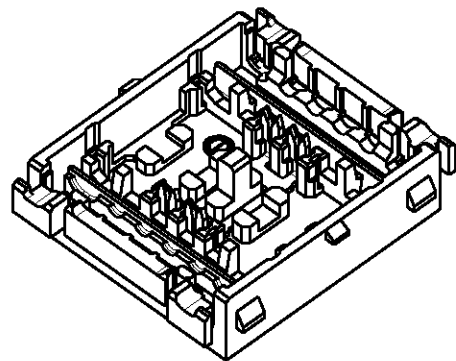


PRE-ASSEMBLY SUPPLY CONDITION

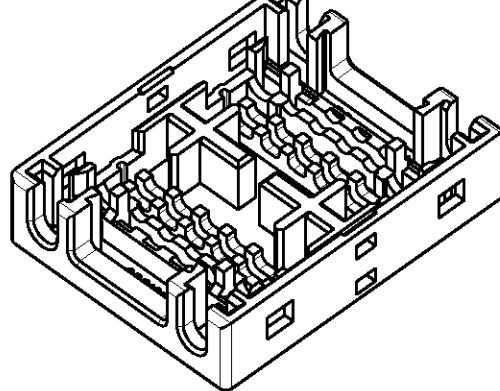
EXTERNAL VIEW (UPSIDE)



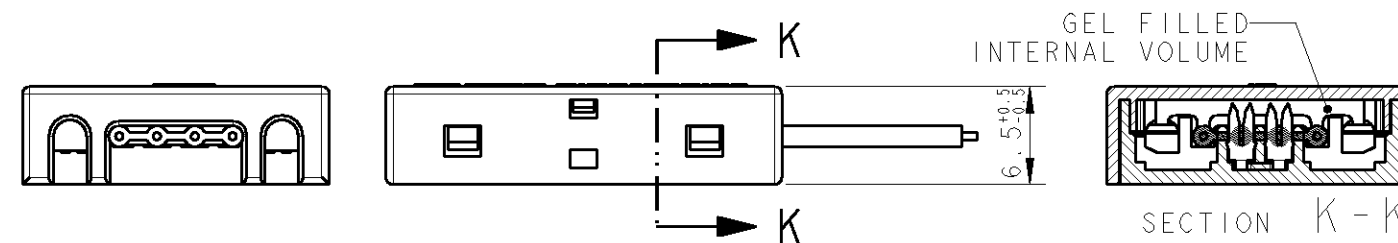
INTERNAL VIEW (W/O COVER AND GEL)



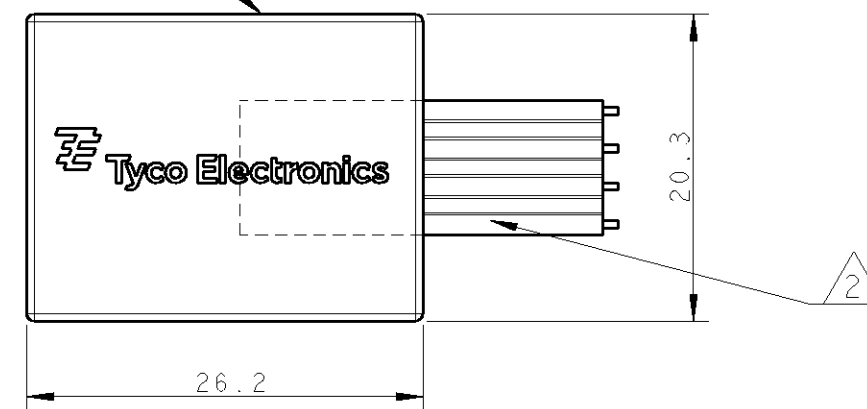
COVER INTERNAL VIEW (W/O GEL)



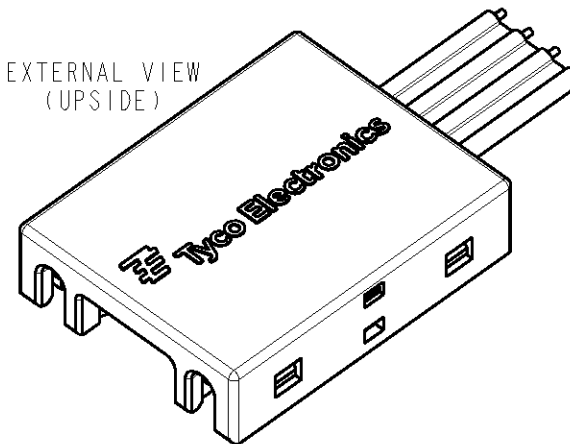
APPLICATION (FOR THE CABLE-END VERSION)



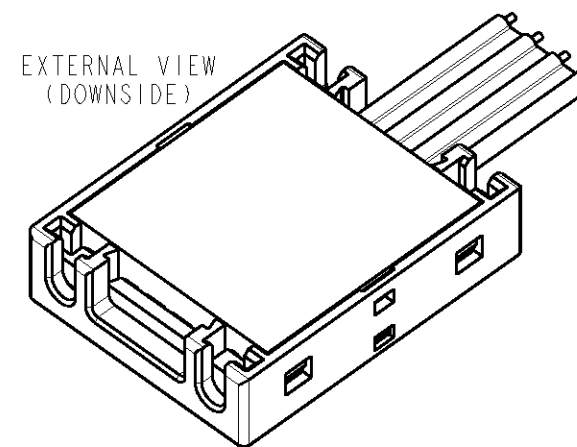
P/N 5-293172-2



EXTERNAL VIEW (UPSIDE)



EXTERNAL VIEW (DOWNSIDE)



LOC	DIST	REVISIONS					
		P	LTR	DESCRIPTION	DATE	DWN	APVD
1	-	-	-	SEE SHEET 1	-	-	-

THIS DRAWING IS A CONTROLLED DOCUMENT FOR TYCO ELECTRONICS CORPORATION
 IT IS SUBJECT TO CHANGE AND THE CONTROLLING ENGINEERING ORGANIZATION
 SHOULD BE CONTACTED FOR THE LATEST REVISION.

DIMENSIONS:	
mm	
MATERIAL PC UNFILLED TRANSPARENT COLOURS ACC. TO UL94-V0 (3mm)	

TOLERANCES UNLESS OTHERWISE SPECIFIED:	
0 PLC	±0.5
1 PLC	±0.3
2 PLC	±0.1
3 PLC	±
4 PLC	±
ANGLES	±1°
FINISH	-

DWN	20DEC2005
CHK	D. CHIARELLI
APVD	20DEC2005
APVD	G. TURCO
PRODUCT SPEC	-
APPLICATION SPEC	-
WEIGHT	-
CUSTOMER DRAWING	

tyco Electronics AMP Italia S.p.A. C.so F.lli Cervi, 15 - Collegno (TO)	
NAME	
4 POS. SEALED CONNECTOR FOR SOLID STATE LED LIGHTING APPLICATION	
SIZE	RESTRICTED TO
A3	-
CAGE CODE	SCALE
00779	2:1
DRAWING NO	SHEET
C=293172	2 OF 2
REV	REV
B1	B1