

$I_T(AV)_{85^\circ C}$ <b>5.0 A</b>		<b>Outline</b> <b>6</b>		
Type No.			$V_{RRM}$	
$t_q = 20\mu S$	$t_q = 15\mu S$	$t_q = 12\mu S$		
CR6-904ARB	CR6-904BRB	CR6-904CRB		800
CR6-1004ARB	CR6-1004BRB	CR6-1004CRB		900
CR6-1104ARB	CR6-1104BRB	CR6-1104CRB		1000
CR6-1204ARB	CR6-1204BRB	CR6-1204CRB	1100	

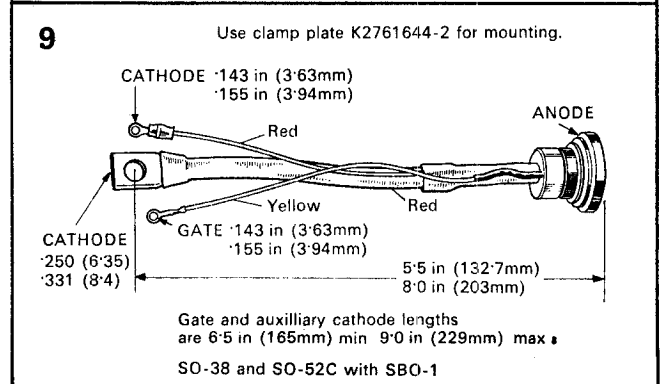
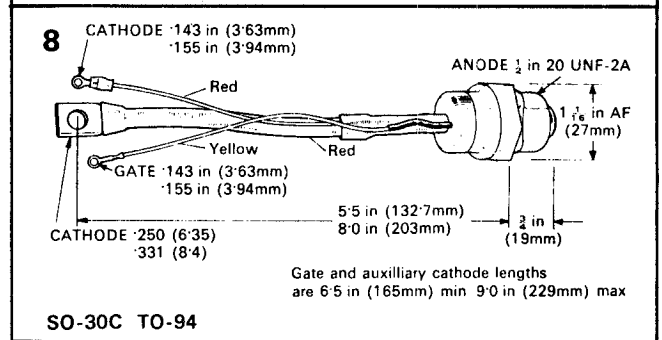
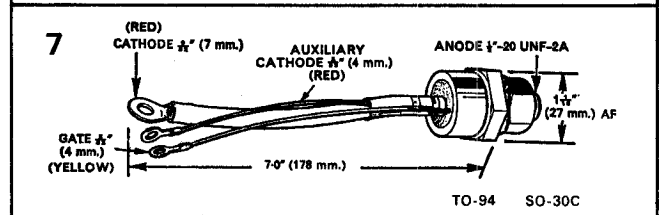
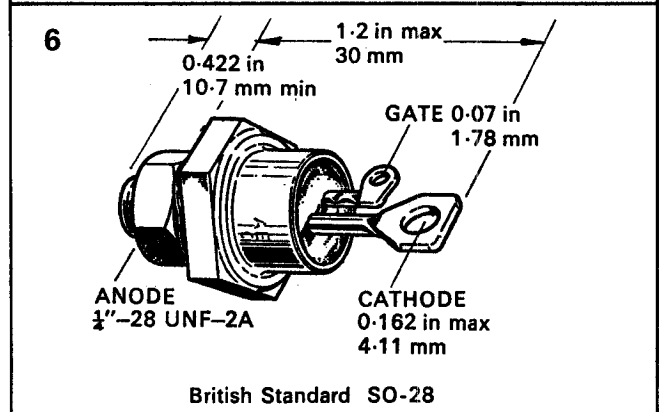
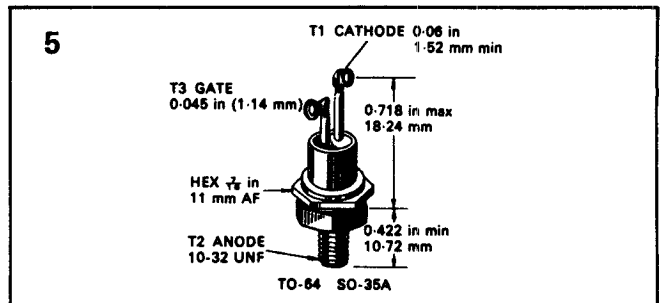
$I_T(AV)_{85^\circ C}$ <b>10.0 A</b>		<b>Outline</b> <b>6</b>		
Type No.			$V_{RRM}$	
$t_q = 20\mu S$	$t_q = 15\mu S$	$t_q = 12\mu S$		
CR12-904ARB	CR12-904BRB	CR12-904CRB		800
CR12-1004ARB	CR12-1004BRB	CR12-1004CRB		900
CR12-1104ARB	CR12-1104BRB	CR12-1104CRB		1000
CR12-1204ARB	CR12-1204BRB	CR12-1204CRB	1100	

$I_T(AV)_{85^\circ C}$ <b>14.0 A</b>		<b>Outline</b> <b>6</b>		
Type No.			$V_{RRM}$	
$t_q = 20\mu S$	$t_q = 15\mu S$	$t_q = 12\mu S$		
CR18-904ARB	CR18-904BRB	CR18-904CRB		800
CR18-1004ARB	CR18-1004BRB	CR18-1004CRB		900
CR18-1104ARB	CR18-1104BRB	CR18-1104CRB		1000
CR18-1204ARB	CR18-1204BRB	CR18-1204CRB	1100	

$I_T(AV)_{85^\circ C}$ <b>20.0 A</b>		<b>Outline</b> <b>6</b>		
Type No.			$V_{RRM}$	
$t_q = 20\mu S$	$t_q = 15\mu S$	$t_q = 12\mu S$		
CR20-904ARB	CR20-904BRB	CR20-904CRB		800
CR20-1004ARB	CR20-1004BRB	CR20-1004CRB		900
CR20-1104ARB	CR20-1104BRB	CR20-1104CRB		1000
CR20-1204ARB	CR20-1204BRB	CR20-1204CRB	1100	

$I_T(AV)_{85^\circ C}$ <b>24.0 A</b>		<b>Outline</b> <b>6</b>		
Type No.			$V_{RRM}$	
$t_q = 20\mu S$	$t_q = 15\mu S$	$t_q = 12\mu S$		
CR24-102AB	CR24-102BB	CR24-102CB		100
CR24-202AB	CR24-202BB	CR24-202CB		200
CR24-302AB	CR24-302BB	CR24-302CB		300
CR24-402AB	CR24-402BB	CR24-402CB		400
CR24-502AB	CR24-502BB	CR24-502CB		500
CR24-602AB	CR24-602BB	CR24-602CB	600	

$I_T(AV)_{85^\circ C}$ <b>24.0 A</b>		<b>Outline</b> <b>6</b>		
Type No.			$V_{RRM}$	
$t_q = 20\mu S$	$t_q = 15\mu S$	$t_q = 12\mu S$		
CR24-904ARB	CR24-904BRB	CR24-904CRB		800
CR24-1004ARB	CR24-1004BRB	CR24-1004CRB		900
CR24-1104ARB	CR24-1104BRB	CR24-1004CRB		1000
CR24-1204ARB	CR24-1204BRB	CR24-1204CRB	1100	



# FAST TURN OFF THYRISTORS — 31 to 80A

$I_{T(AV)85^{\circ}C}$ <b>31.0 A</b>		Outline <b>7</b>			
$t_q = 20\mu S$	Type No.			$V_{RRM}$	
	$t_q = 15\mu S$	$t_q = 12\mu S$	$t_q = 8\mu S$		
CR30-104AA	CR30-104BA	CR30-104CA	CR30-104DA	75	
CR30-204AA	CR30-204BA	CR30-204CA	CR30-204DA	150	
CR30-304AA	CR30-304BA	CR30-304CA	CR30-304DA	250	
CR30-404AA	CR30-404BA	CR30-404CA	CR30-404DA	300	
CR30-504AA	CR30-504BA	CR30-504CA	CR30-504DA	400	
CR30-604AA	CR30-604BA	CR30-604CA	CR30-604DA	500	
CR30-704AA	CR30-704BA	CR30-704CA	CR30-704DA	600	
CR30-804AA	CR30-804BA	CR30-804CA	—	700	
CR30-904AA	CR30-904BA	CR30-904CA	—	800	
CR30-1004AA	—	—	—	900	
CR30-1104AA	—	—	—	1000	
CR30-1204AA	—	—	—	1100	

$I_{T(AV)85^{\circ}C}$ <b>40.0 A</b>		Outline <b>7</b>			
$t_q = 20\mu S$	Type No.			$V_{RRM}$	
	$t_q = 15\mu S$	$t_q = 12\mu S$	$t_q = 8\mu S$		
CR31-104AA	CR31-104BA	CR31-104CA	CR31-104DA	75	
CR31-204AA	CR31-204BA	CR31-204CA	CR31-204DA	150	
CR31-304AA	CR31-304BA	CR31-304CA	CR31-304DA	250	
CR31-404AA	CR31-404BA	CR31-404CA	CR31-404DA	300	
CR31-504AA	CR31-504BA	CR31-504CA	CR31-504DA	400	
CR31-604AA	CR31-604BA	CR31-604CA	CR31-604DA	500	
CR31-704AA	CR31-704BA	CR31-704CA	CR31-704DA	600	
CR31-804AA	CR31-804BA	CR31-804CA	—	700	
CR31-904AA	CR31-904BA	CR31-904CA	—	800	
CR31-1004AA	—	—	—	900	
CR31-1104AA	—	—	—	1000	
CR31-1204AA	—	—	—	1100	

$I_{T(AV)85^{\circ}C}$ <b>45.0 A</b>		Outline <b>7</b>			
$t_q = 20\mu S$	Type No.			$V_{RRM}$	
	$t_q = 15\mu S$	$t_q = 12\mu S$	$t_q = 8\mu S$	$t_q = 25\mu S$	
CR50-104AA	CR50-104BA	CR50-104CA	CR50-104DA	CR50-104LA	75
CR50-204AA	CR50-204BA	CR50-204CA	CR50-204DA	CR50-204LA	150
CR50-304AA	CR50-304BA	CR50-304CA	CR50-304DA	CR50-304LA	250
CR50-404AA	CR50-404BA	CR50-404CA	CR50-404DA	CR50-404LA	300
CR50-504AA	CR50-504BA	CR50-504CA	CR50-504DA	CR50-504LA	400
CR50-604AA	CR50-604BA	CR50-604CA	CR50-604DA	CR50-604LA	500
CR50-704AA	CR50-704BA	CR50-704CA	CR50-704DA	CR50-704LA	600
CR50-804AA	CR50-804BA	CR50-804CA	—	CR50-804LA	700
CR50-904AA	CR50-904BA	CR50-904CA	—	CR50-904LA	800
—	—	—	—	CR50-1004LA	900
—	—	—	—	CR50-1104LA	1000
—	—	—	—	CR50-1204LA	1100

$I_{T(AV)85^{\circ}C}$ <b>55.0 A</b>		Outline <b>8</b>			
$t_q = 20\mu S$	Type No.			$V_{RRM}$	
	$t_q = 15\mu S$	$t_q = 12\mu S$	$t_q = 8\mu S$	$t_q = 25\mu S$	
CR51-104AA	CR51-104BA	CR51-104CA	CR51-104DA	CR51-104LA	75
CR51-204AA	CR51-204BA	CR51-204CA	CR51-204DA	CR51-204LA	150
CR51-304AA	CR51-304BA	CR51-304CA	CR51-304DA	CR51-304LA	250
CR51-404AA	CR51-404BA	CR51-404CA	CR51-404DA	CR51-404LA	300
CR51-504AA	CR51-504BA	CR51-504CA	CR51-504DA	CR51-504LA	400
CR51-604AA	CR51-604BA	CR51-604CA	CR51-604DA	CR51-604LA	500
CR51-704AA	CR51-704BA	CR51-704CA	CR51-704DA	CR51-704LA	600
—	—	—	—	CR51-804LA	700
—	—	—	—	CR51-904LA	800
—	—	—	—	CR51-1004LA	900
—	—	—	—	CR51-1104LA	1000
—	—	—	—	CR51-1204LA	1100