



ELECTRONICS

www.DataSheet4U.com

Approval

TO : SONY  
DATE : Feb. 12, 2006

*SAMSUNG TFT-LCD*

**MODEL NO. :LTE480WQ-F01**

Customer Approval

---

---

---

---

*Any Modification of Spec is not allowed without SEC's permission.*

Approved by : Se Chun, Oh

**LCD DIVISION**

**Samsung Electronics Co . , LTD.**



**Revision History**

Date	Rev. No.	Page	Summary
Feb.12 .2006	000		Rev.000 was first issues.

## Contents

[www.DataSheet4U.com](http://www.DataSheet4U.com)

General Description	-----	(4)
1. Absolute Maximum Ratings	-----	(6)
1.1 Absolute Ratings Of Environment		
1.2 Electrical Absolute Ratings		
2. Optical Characteristics	-----	(8)
3. Electrical Characteristics	-----	(11)
3.1 TFT-LCD Module		
3.2 Back-light Unit		
4.. Block Diagram	-----	(13)
4.1 TFT-LCD Module(Interface System Structure) with Back Light Unit		
4.2 Back-light Unit		
5. Input Terminal Pin Assignment	-----	(14)
5.1 Input Signal & Power		
5.2 Input Signal, Basic Display colors and Gray Scale of Each Colors		
5.3 Pixel Format		
6. Interface Timing	-----	(17)
7. Power On/Off Sequence	-----	(22)
8. Outline Dimension	-----	(23)
9. Packing	-----	(24)
10. Marking & Others	-----	(25)
11. General Precaution	-----	(26)
11.1 Handling		
11.2 Storage		
11.3 Operation		
11.4 Others		

## General Description

www.DataSheet4U.com

### \* Description

LTE480WQ-F01 is a TMR(Transmissive with Micro Reflective) type color active matrix TFT (Thin Film Transistor) liquid crystal display (LCD) that uses amorphous silicon TFT as a switching devices. This model is composed of a TFT-LCD module, a driver circuit and a back-light unit.

The resolution of a 4.8" contains 480x272(RGB) dots and can display up to 16.7M colors.

### \* Features

- triple-gate & Dual ASG
- Transmissive with Micro Reflective type and back-light with eight LEDs are available.
- TN(Twisted Nematic) mode.
- Dot inversion mode.
- 24bit RGB Interface
- DE(Data Enable) & SYNC mode - DE, Vsync, Hsync, DOTCLK

### \* Applications

- Display terminals for PMP(Portable Multimedia Player) , Portable CNS(P-CNS) , MP3 application products.
- Display terminals for AV application products.

## \* General information

Items	Specification	Unit	Note
Display area	105.84 X 59.98 (4.8" diagonal)	mm	-
Driver element	a-Si TFT active matrix	-	-
Display colors	16,777,212	colors	-
Number of dots	480(H) x 272 x RGB(V)	dot	-
Pixel arrangement	RGB stripe	-	-
Pixel pitch	0.2205 x 0.2205	mm	-
Display mode	Normally White	-	-
Viewing direction	6	o'clock	-

## \* Mechanical information

Item		Min.	Typ.	Max.	Unit	Note
Module size	Horizontal(H)	114.04	114.24	114.44	mm	-
	Vertical(V)	72.68	72.88	73.08	mm	(1)
	Depth(D)	3.0	3.2	3.4	mm	(1)
Weight		55.0	60.0	65.0	g	(2)

Note (1) Not include FPC.

Refer to the Outline Dimension in the "8. Outline Dimension" for further information.

(2) Module and Back-light unit are included.

## 1. Absolute Maximum Ratings

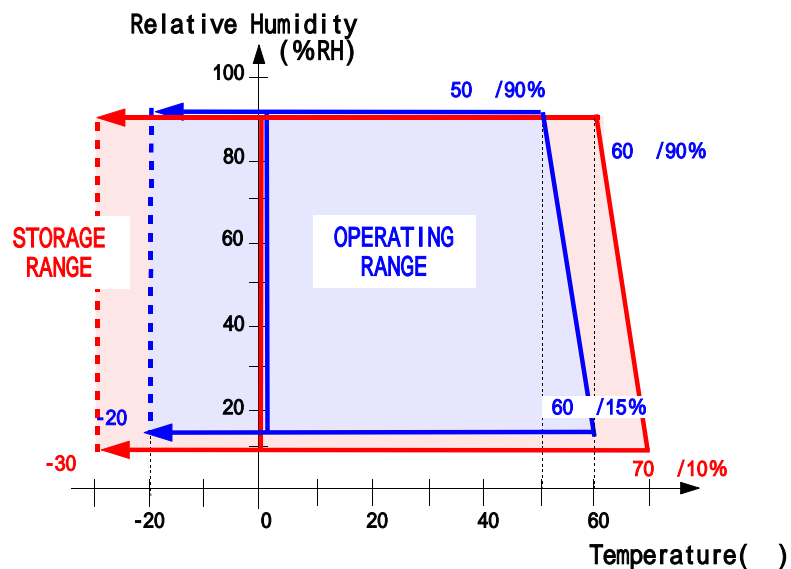
www.DataSheet4U.com

### 1.1 Absolute Ratings Of Environment

ITEM	MIN	MAX	REMARK
Storage Temperature	-30	70	Note(1)
Operating Temperature	-20	60	Note(2)(3)

Note(1) 90%RH maximum humidity, 60 maximum wet-bulb temperature

- (2) When operated at a temperature lower than 0 , the LCD worked slowly and the screen appeared low-contrast images due to the characteristics of LC(Liquid Crystal).
- (3) If any fixed pattern is displayed on LCD for minutes, image-sticking phenomenon may occur.



Temperature & Humidity Graph at Absolute Environment

## 1.2 Electrical Absolute Ratings

### (1) TFT-LCD Module

(Ta = 25 ± 2°C, VSS=GND=0)

Item	Symbol	Min.	Max.	Unit	Note
Input voltage	VDD	-0.3	4.6	V	-

### (2) Back-Light Unit

(Ta = 25 ± 2°C)

Item	Symbol	Min.	Max.	Unit.	Note
Current	I <sub>B</sub>	-	25	mA	(1)

Note (1) Permanent damage to the device may occur if maximum values are exceeded or reverse voltage is loaded.

Functional operation should be restricted to the conditions described under normal operating conditions.

## 2. Optical Characteristics

www.DataSheet4U.com

The following items are measured under stable conditions. The optical characteristics should be measured in a dark room or equivalent state with the methods shown in Note (1).

Measuring equipment: SR3, BM-7, EZ-Contrast

(Ta=25 ± 2°C , VDD=2.5V or 3.3V , fv=60Hz , fDCLK=9.2MHz , IL=20mA)

Item	Symbol	Condition	Min.	Typ.	Max.	Unit	Note	
Contrast ratio (Center point)	C/R		200	400	-	-	(2) SR3	
Luminance of white (Center point)	YL	NOTE (1)	280	350	-	cd/m <sup>2</sup>	(3) SR3	
Response time	Rising	T <sub>R</sub>	-	5	15	msec	(4) BM-7	
	Falling	T <sub>F</sub>	-	25	30			
Color chromaticity (CIE 1931)	White	W <sub>X</sub>	Normal Viewing Angle  B/L On	0.290	0.320	0.350	-	(5) SR3
		W <sub>Y</sub>		0.315	0.345	0.375		
	Red	R <sub>X</sub>		0.575	0.605	0.635		
		R <sub>Y</sub>		0.328	0.358	0.388		
	Green	G <sub>X</sub>		0.307	0.337	0.367		
		G <sub>Y</sub>		0.538	0.568	0.598		
	Blue	B <sub>X</sub>		0.122	0.152	0.182		
		B <sub>Y</sub>		0.098	0.128	0.158		
Viewing angle	Hor.	L	C/R 10 B/L On	60	65	-	Degrees	(6) Ez-Contrast
		R		60	65	-		
	Ver.	H		45	50	-		
		L		50	55	-		
Color temperature	-	-	4906	6053	8135	K	SR3	



## Note (1) Test Equipment Setup

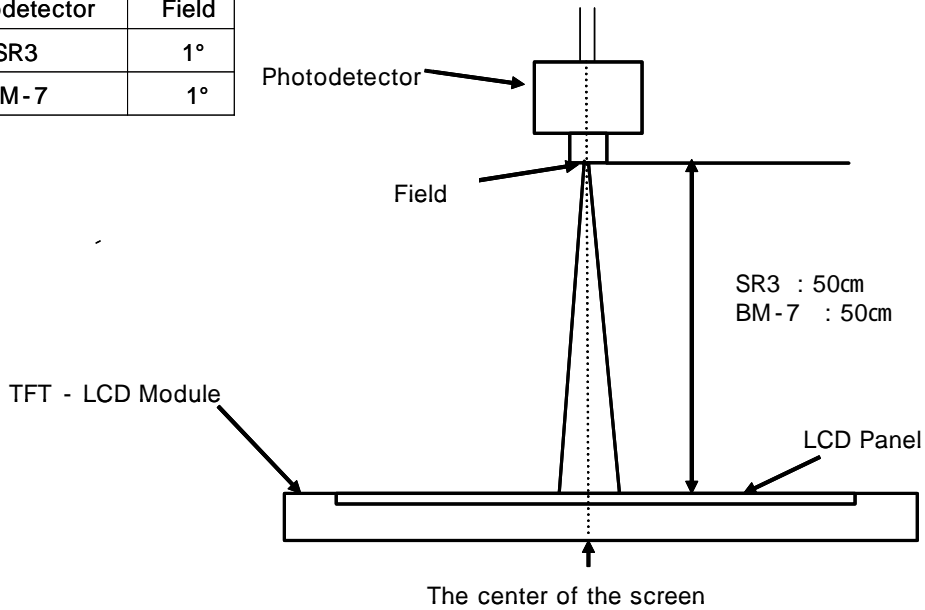
www.DataSheet4U.com

After stabilizing and leaving the panel alone at a given temperature for 10 min , the measurement should be executed. Measurement should be executed in a stable, windless, and dark room. 10 min after lighting the back-light. This should be measured in the center of screen.

Environment condition :  $T_a = 25 \pm 2 \text{ }^\circ\text{C}$

Back-Light On condition

Photodetector	Field
SR3	1°
BM-7	1°



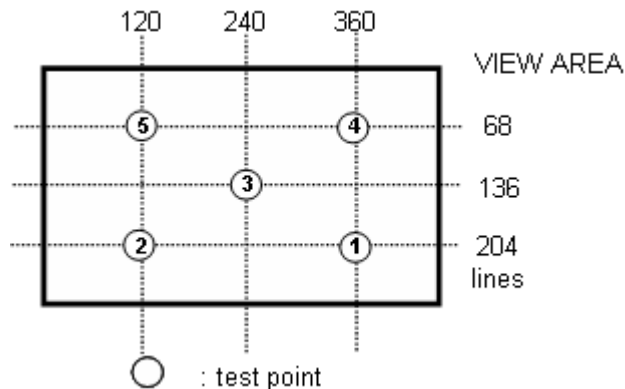
Note (2) Definition of Contrast Ratio (C/R) : Ratio of gray max (Gmax) & gray min (Gmin) at the center point

$$CR = \frac{G_{\max}}{G_{\min}}$$

\* Gmax : Luminance with all pixels white

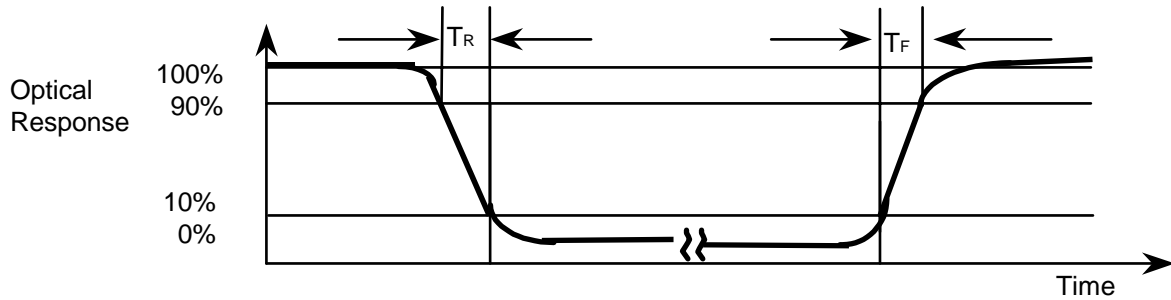
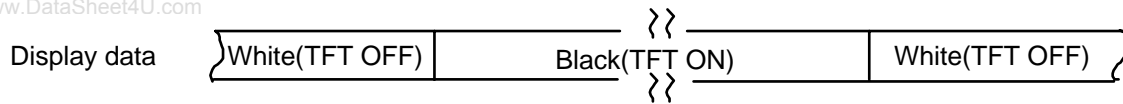
\* Gmin : Luminance with all pixels black

Note (3) Definition of Luminance of White : Luminance of white at the center point (@ )



Note (4) Definition of Response time : Sum of  $T_r, T_f$

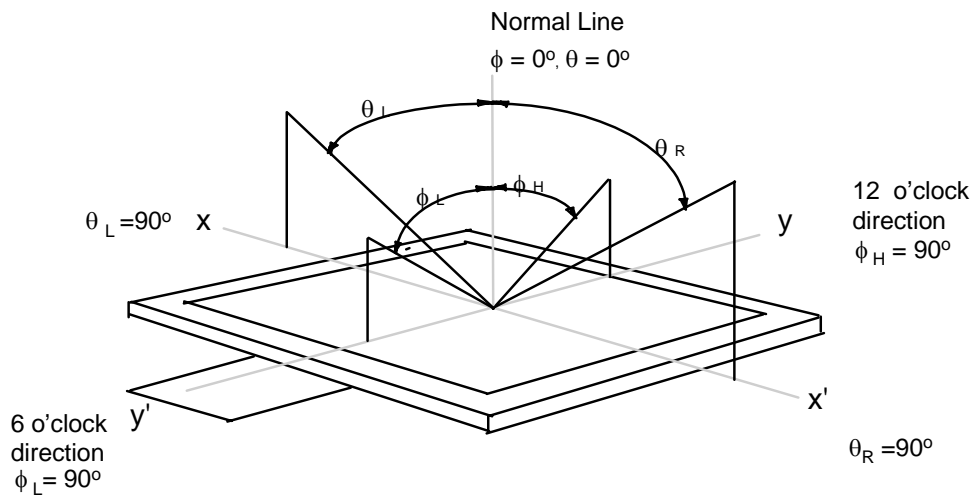
www.DataSheet4U.com



Note (5) Definition of Color Chromaticity (CIE 1931)

Color coordinate of white & red, green, blue at center point.

Note (6) Definition of Viewing Angle : Viewing angle range (CR 10 )



### 3. Electrical Characteristics

#### 3.1 TFT-LCD Module

Ta = 25 ± 2°C

ITEM	Symbol	Min.	Typ.	Max.	Unit	Note
Logic supply voltage	VDD	2.25	2.5	2.9	V	(1)
		2.9	3.3	3.5	V	(2)
Vsync Frequency	f <sub>v</sub>	-	60	70	Hz	
Hsync Frequency	f <sub>H</sub>	-	17.26	-	kHz	
Main Frequency	f <sub>DCLK</sub>	-	9.2	15.0	MHZ	
Power Dissipation	White	-	110	120	mW	(3),(4)
	Black	-	115	125	mW	

Note (1). PWRSEL = Low

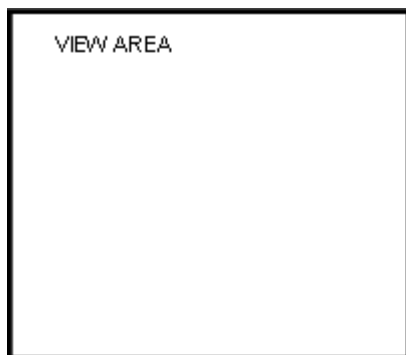
Note (2). PWRSEL = High

Refer to the "5. Input Terminal Pin Assignment"

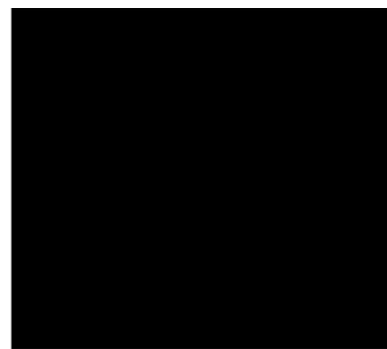
Note (3). f<sub>v</sub>=60Hz, f<sub>DCLK</sub>=9.2MHZ, VDD=2.5V or 3.3V

Note (4). Power Dissipation check pattern

a) White Pattern



b) Black Pattern



### 3.2 Back-Light unit

www.DataSheet4U.com

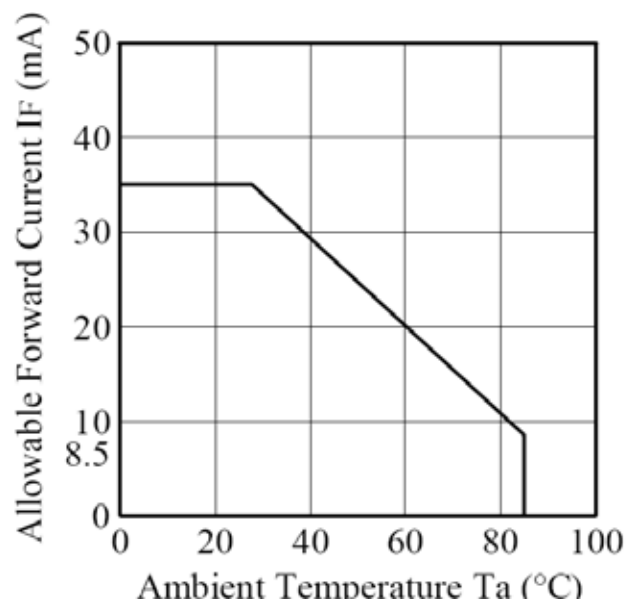
The back-light system is an edge-lighting type with eight white LED(Light Emitting Diodes).

(Ta=25 ± 2°C)

Item	Symbol	Min.	Typ.	Max.	Unit	Note
LEDs Current	I <sub>B</sub>	-	18	20	mA	(1), (3)
Power Consumption	P <sub>BL</sub>	-	480	530	mW	(2)

Note (1) Eight LEDs serial type.

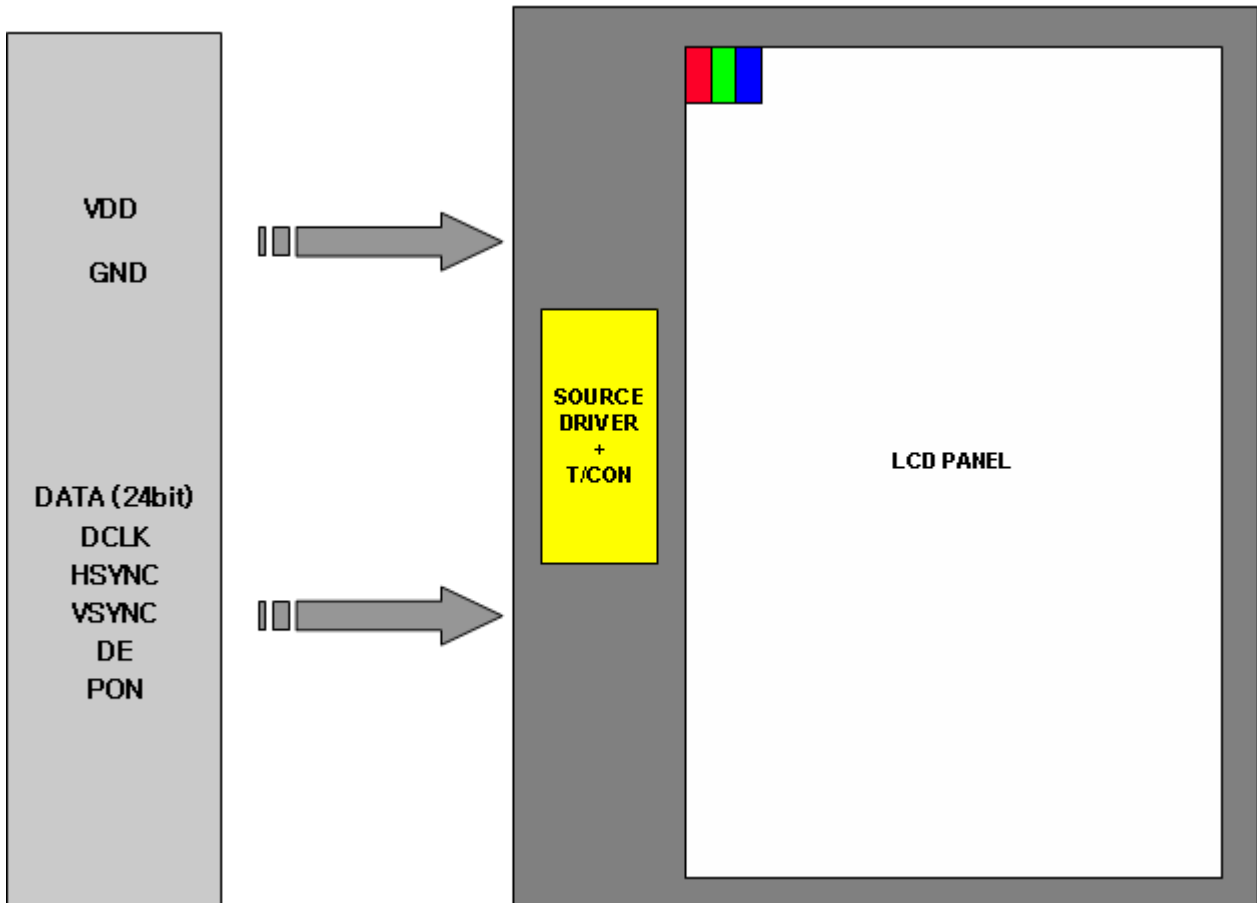
Note (2) Where I<sub>B</sub> = 18 mA, V<sub>B</sub> = P<sub>BL</sub> / I<sub>B</sub>.



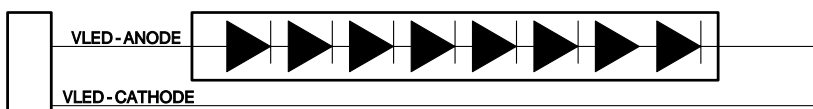
## 4. Block Diagram

www.DataSheet4U.com

### 4.1 TFT-LCD Module (Interface System Structure) with Back Light Unit



### 4.2 Back-light Unit



## 5. Input Terminal Pin Assignment

www.DataSheet4U.com

### 5.1 Input Signal & Power (Connector type : 45Pin)

Pin No.	Symbol	Description	Remark	Pin No.	Symbol	Description	Remark
1	VDD	Power Supply	2.5V or 3.3V	24	VSS	Ground	
2	VDD	Power Supply	2.5V or 3.3V	25	B0	Blue data (LSB)	
3	VSS	Ground		26	B1	Blue data	
4	VSS	Ground		27	B2	Blue data	
5	R0	Red data (LSB)		28	B3	Blue data	
6	R1	Red data		29	VSS	Ground	
7	R2	Red data		30	B4	Blue data	
8	R3	Red data		31	B5	Blue data	
9	VSS	Ground		32	B6	Blue data	
10	R4	Red data		33	B7	Blue data (MSB)	
11	R5	Red data		34	VSS	Ground	
12	R6	Red data		35	PCLK	dot clock	
13	R7	Red data (MSB)		36	PON	Display on/off	
14	VSS	Ground		37	HSYNC	Horizontal Sync	
15	G0	Green data (LSB)		38	YSYNC	Vertical Sync	
16	G1	Green data		39	DE	Data Enable	
17	G2	Green data		40	PWRSEL	VDD Power select	Low:2.5V High:3.3V
18	G3	Green data		41	VSS	Ground	
19	VSS	Ground		42	VSS	Ground	
20	G4	Green data		43	LED1-	LED Cathode	
21	G5	Green data		44	VSS	Ground	
22	G6	Green data		45	LED+	LED Anode	
23	G7	Green data (MSB)					

### 5.2 Input Signal, Basic Display Colors and Gray Scale of Each Colors

COLOR	DISPLAY	DATA SIGNAL																								GRAY SCALE LEVEL
		RED							GREEN							BLUE										
		R0	R1	R2	R3	R4	R5	R6	R7	G0	G1	G2	G3	G4	G5	G6	G7	B0	B1	B2	B3	B4	B5	B6	B7	
BASIC COLOR	BLACK	0	0	0	0	0	0	0	0	0	0	0	0	0	0	0	0	0	0	0	0	0	0	0	0	-
	BLUE	0	0	0	0	0	0	0	0	0	0	0	0	0	0	0	0	1	1	1	1	1	1	1	1	-
	GREEN	0	0	0	0	0	0	0	0	1	1	1	1	1	1	1	1	0	0	0	0	0	0	0	0	-
	CYAN	0	0	0	0	0	0	0	0	1	1	1	1	1	1	1	1	1	1	1	1	1	1	1	1	-
	RED	1	1	1	1	1	1	1	1	0	0	0	0	0	0	0	0	0	0	0	0	0	0	0	0	-
	MAGENTA	1	1	1	1	1	1	1	1	0	0	0	0	0	0	0	0	1	1	1	1	1	1	1	1	-
	YELLOW	1	1	1	1	1	1	1	1	1	1	1	1	1	1	1	1	0	0	0	0	0	0	0	0	-
	WHITE	1	1	1	1	1	1	1	1	1	1	1	1	1	1	1	1	1	1	1	1	1	1	1	1	-
GRAY SCALE OF RED	BLACK	0	0	0	0	0	0	0	0	0	0	0	0	0	0	0	0	0	0	0	0	0	0	0	R0	
	DARK	1	0	0	0	0	0	0	0	0	0	0	0	0	0	0	0	0	0	0	0	0	0	0	R1	
		0	1	0	0	0	0	0	0	0	0	0	0	0	0	0	0	0	0	0	0	0	0	0	R2	
		:	:	:	:	:	:	:	:	:	:	:	:	:	:	:	:	:	:	:	:	:	:	:	R3~R252	
		:	:	:	:	:	:	:	:	:	:	:	:	:	:	:	:	:	:	:	:	:	:	:		:
	LIGHT	1	0	1	1	1	1	1	1	0	0	0	0	0	0	0	0	0	0	0	0	0	0	0	R253	
		0	1	1	1	1	1	1	1	0	0	0	0	0	0	0	0	0	0	0	0	0	0	0	R254	
	RED	1	1	1	1	1	1	1	1	0	0	0	0	0	0	0	0	0	0	0	0	0	0	0	R255	
GRAY SCALE OF GREEN	BLACK	0	0	0	0	0	0	0	0	0	0	0	0	0	0	0	0	0	0	0	0	0	0	0	G0	
	DARK	0	0	0	0	0	0	0	0	1	0	0	0	0	0	0	0	0	0	0	0	0	0	0	G1	
		0	0	0	0	0	0	0	0	0	1	0	0	0	0	0	0	0	0	0	0	0	0	0	G2	
		:	:	:	:	:	:	:	:	:	:	:	:	:	:	:	:	:	:	:	:	:	:	:	G3~G252	
		:	:	:	:	:	:	:	:	:	:	:	:	:	:	:	:	:	:	:	:	:	:	:		:
	LIGHT	0	0	0	0	0	0	0	0	1	0	1	1	1	1	1	1	0	0	0	0	0	0	0	G253	
		0	0	0	0	0	0	0	0	0	1	1	1	1	1	1	1	0	0	0	0	0	0	0	G254	
	GREEN	0	0	0	0	0	0	0	0	1	1	1	1	1	1	1	1	0	0	0	0	0	0	0	G255	
GRAY SCALE OF BLUE	BLACK	0	0	0	0	0	0	0	0	0	0	0	0	0	0	0	0	0	0	0	0	0	0	0	B0	
	DARK	0	0	0	0	0	0	0	0	0	0	0	0	0	0	0	0	1	0	0	0	0	0	0	B1	
		0	0	0	0	0	0	0	0	0	0	0	0	0	0	0	0	1	0	0	0	0	0	0	B2	
		:	:	:	:	:	:	:	:	:	:	:	:	:	:	:	:	:	:	:	:	:	:	:	B3~B252	
		:	:	:	:	:	:	:	:	:	:	:	:	:	:	:	:	:	:	:	:	:	:	:		:
	LIGHT	0	0	0	0	0	0	0	0	0	0	0	0	0	0	0	0	1	0	1	1	1	1	1	B253	
		0	0	0	0	0	0	0	0	0	0	0	0	0	0	0	0	1	1	1	1	1	1	1	B254	
	BLUE	0	0	0	0	0	0	0	0	0	0	0	0	0	0	0	0	1	1	1	1	1	1	1	B255	

Note) Definition of Gray :

Rn : Red Gray, Gn : Green Gray, Bn : Blue Gray (n = Gray level)

Input Signal : 0 = Low level voltage, 1 = High level voltage





## 6. INTERFACE TIMING

www.DataSheet4U.com

### 6-1. Vertical timing

Operating at VDD=2.25~3.5V , Ta = -40 ~+85

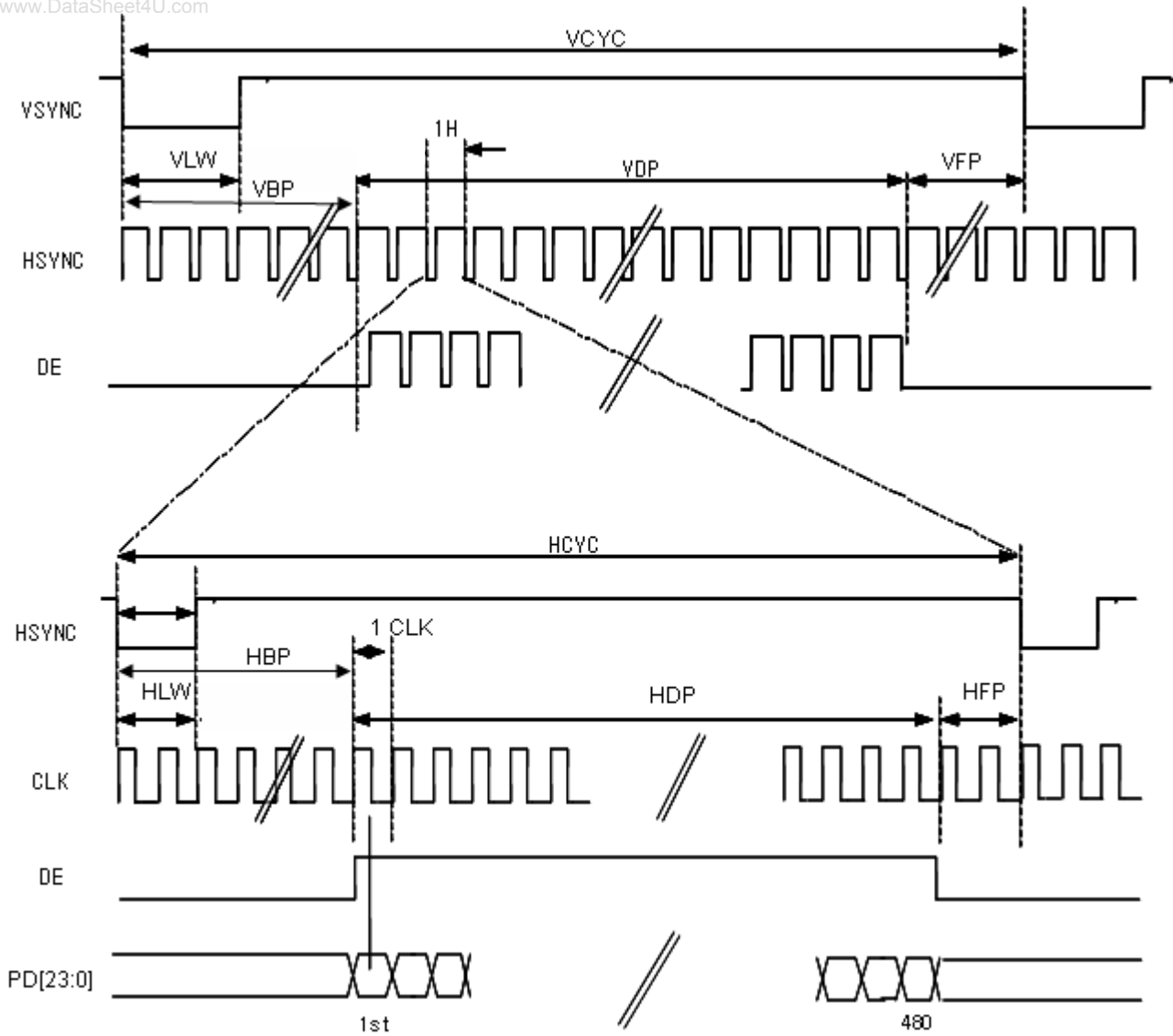
Signal	Symbol	Min.	Typ.	Max.	Unit	Note
Frame Frequency	fFRM	-	60	70	Hz	
VSYNC(Frame) Period	VCYC	239	288	335	H	
VSYNC Low width	VLW	1	10	-	H	
Vertical Display Period	VDP		272	-	H	
Vertical Back porch	VBP	-	12	-	H	
Vertical Front porch	VFP	2	4	-	H	

### 6-2. Horizontal timing

Operating at VDD=2.25~3.5V , Ta = -40 ~+85

Signal	Symbol	Min.	Typ.	Max.	Unit	Note
HSYNC(1H) Period	HCYC	490	533	605	DOTCLK	
HSYNC Low width	HLW	4	41	-	DOTCLK	
Horizontal Display Period	HDP	-	480	-	DOTCLK	
Horizontal Back porch	HBP	8	45	-	DOTCLK	
Horizontal Front porch	HFP	2	8	-	DOTCLK	
DOTCLK Frequency	f <sub>DOTCLK</sub>	-	9.2	15	MHz	@fFRM=60Hz

www.DataSheet4U.com



## 6-3. AC characteristics

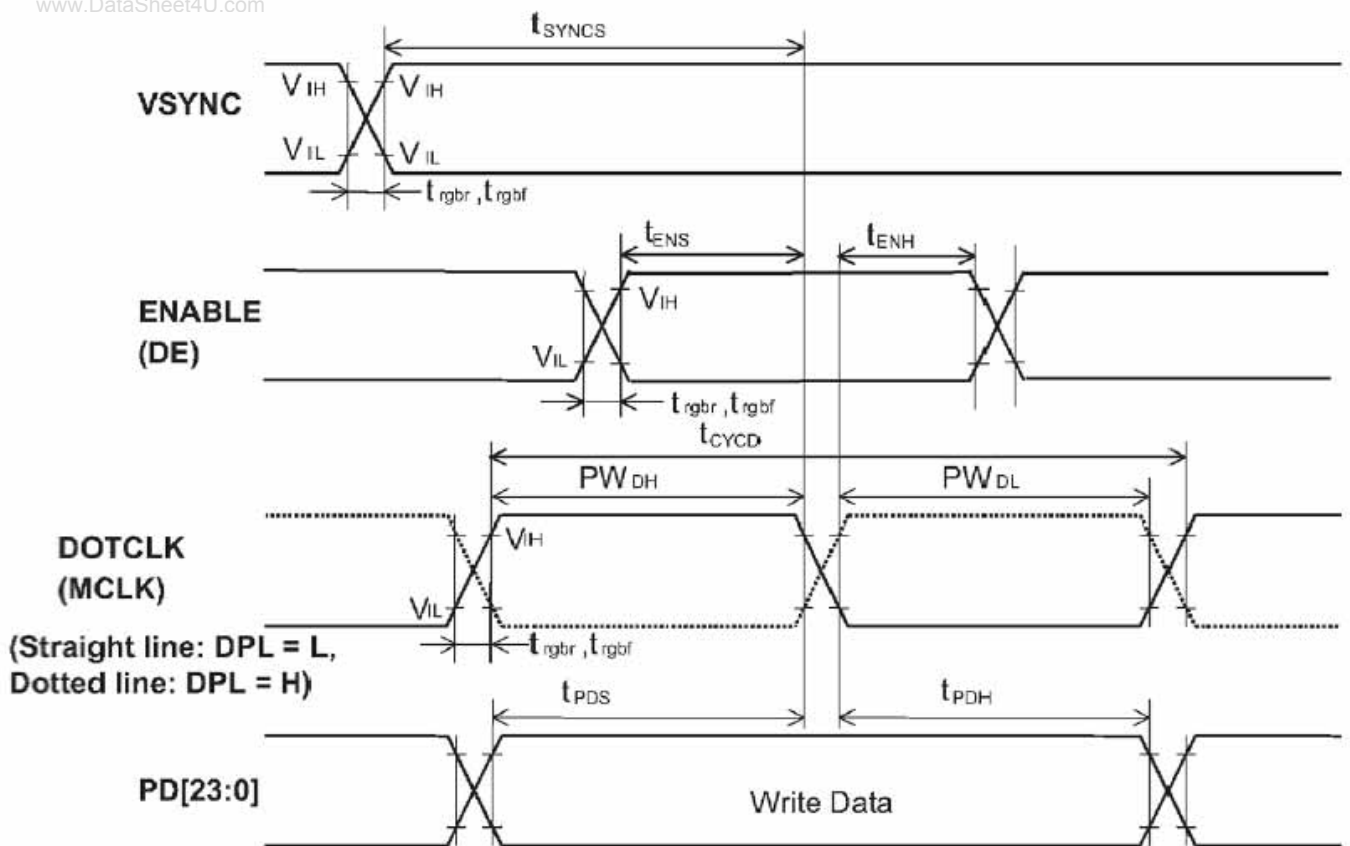
www.Data

Operating at VDD=2.25~2.9V , Ta = -40 ~+85

Parameter	Symbol	Min.	Typ.	Max.	Unit
VSYNC,HSYNC setup time	t <sub>SYNCS</sub>	10	-	-	ns
ENABLE (DE) setup time	t <sub>ENS</sub>	10	-	-	
ENABLE (DE) hold time	t <sub>ENH</sub>	10	-	-	
DOTCLK "Low" level pulse width	P <sub>WDL</sub>	25	-	-	
DOTCLK "High" level pulse width	P <sub>WDH</sub>	25	-	-	
DOTCLK cycle time	t <sub>CYCD</sub>	66.7	-	-	
Data setup time	t <sub>PDS</sub>	10	-	-	
Data hold time	t <sub>PDH</sub>	10	-	-	
DOTCLK,VSYNC,HSYNC clock rise/fall time	t <sub>rgbr</sub> t <sub>rgbf</sub>	-	-	5	

Operating at VDD=2.9~3.5V , Ta = -40 ~+85

Parameter	Symbol	Min.	Typ.	Max.	Unit
VSYNC,HSYNC setup time	t <sub>SYNCS</sub>	10	-	-	ns
ENABLE (DE) setup time	t <sub>ENS</sub>	10	-	-	
ENABLE (DE) hold time	t <sub>ENH</sub>	10	-	-	
DOTCLK "Low" level pulse width	P <sub>WDL</sub>	25	-	-	
DOTCLK "High" level pulse width	P <sub>WDH</sub>	25	-	-	
DOTCLK cycle time	t <sub>CYCD</sub>	66.7	-	-	
Data setup time	t <sub>PDS</sub>	10	-	-	
Data hold time	t <sub>PDH</sub>	10	-	-	
DOTCLK,VSYNC,HSYNC clock rise/fall time	t <sub>rgbr</sub> t <sub>rgbf</sub>	-	-	5	

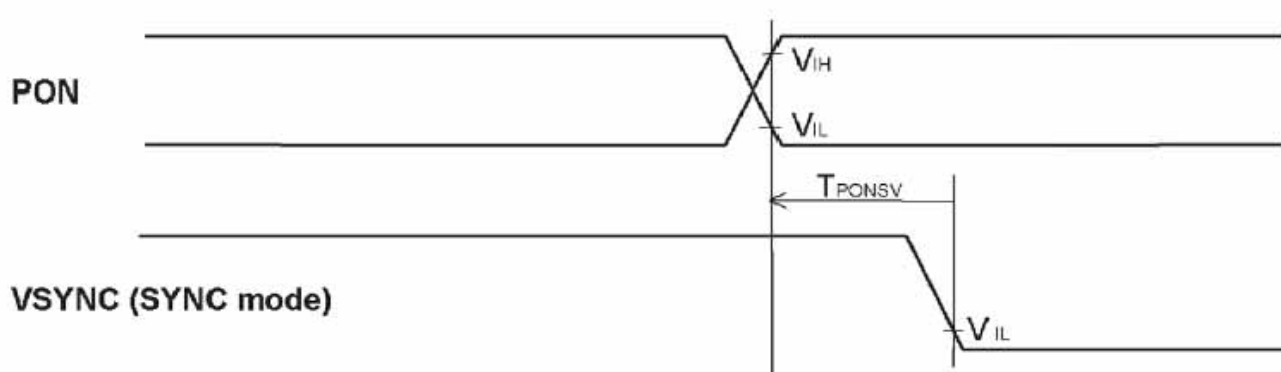


## 6-4. PON timing characteristics.

www.DataSheet4U.com

Operating at VDD=2.25~3.5V , Ta = -40 ~+85

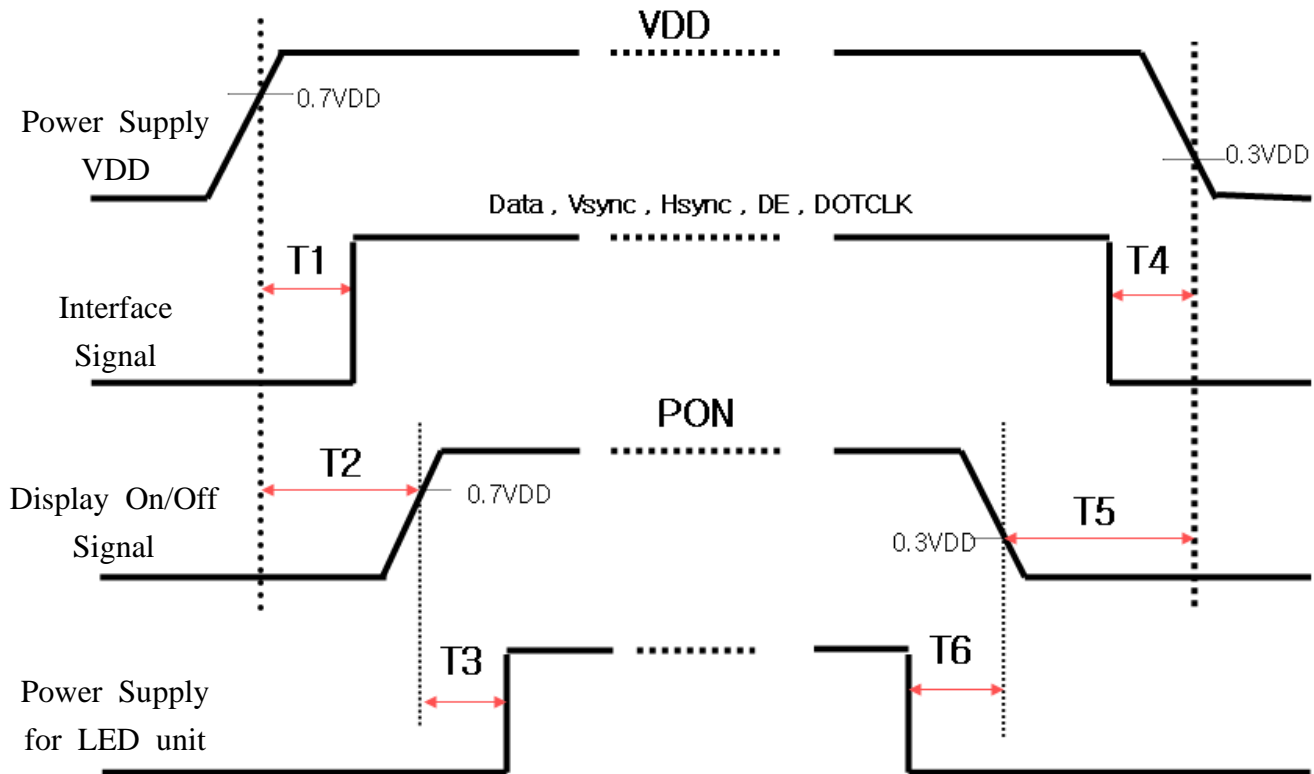
Item	Symbol	Min.	Typ.	Max.	unit
PON setup (SYNC mode)	$t_{PONS\ V}$	10	-	-	DOTCLK



## 7. Power On/Off Sequence

www.DataSheet4U.com

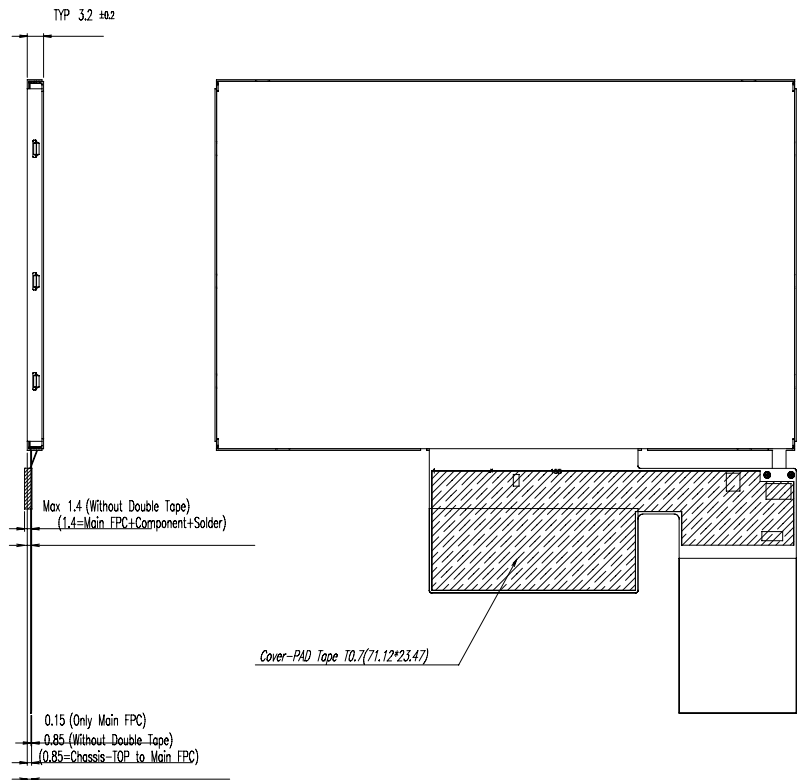
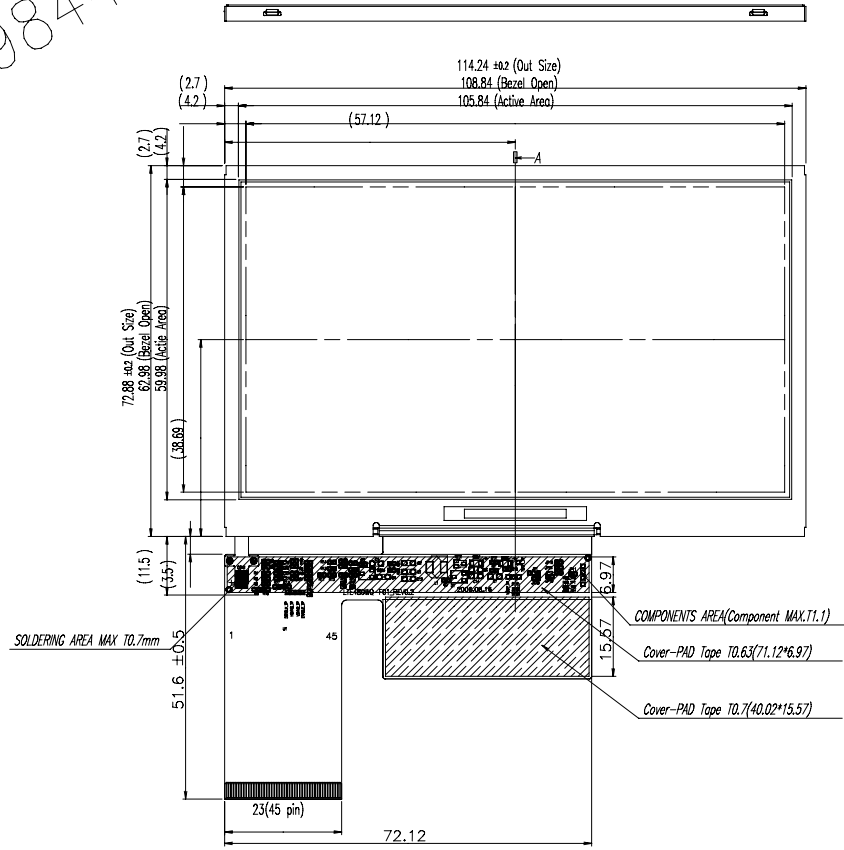
- To prevent a latch-up or DC operation of the LCD module, the power on/off sequence should be as the diagram below.



Symbol	Specification	Note
T1	$0 \text{ ms} < T1 < T2$	
T2	$5 \text{ ms} < T2$	(1)
T3	$10 \text{ frames} < T3$	
T4	$10 \text{ ms} < T4 < T5$	
T5	$(5 \text{ frames} + T4) < T5$	(1)
T6	$10 \text{ frames} < T6$	

Note(1) Refer to "6-4. PON timing characteristics."

1998448001 Preliminary

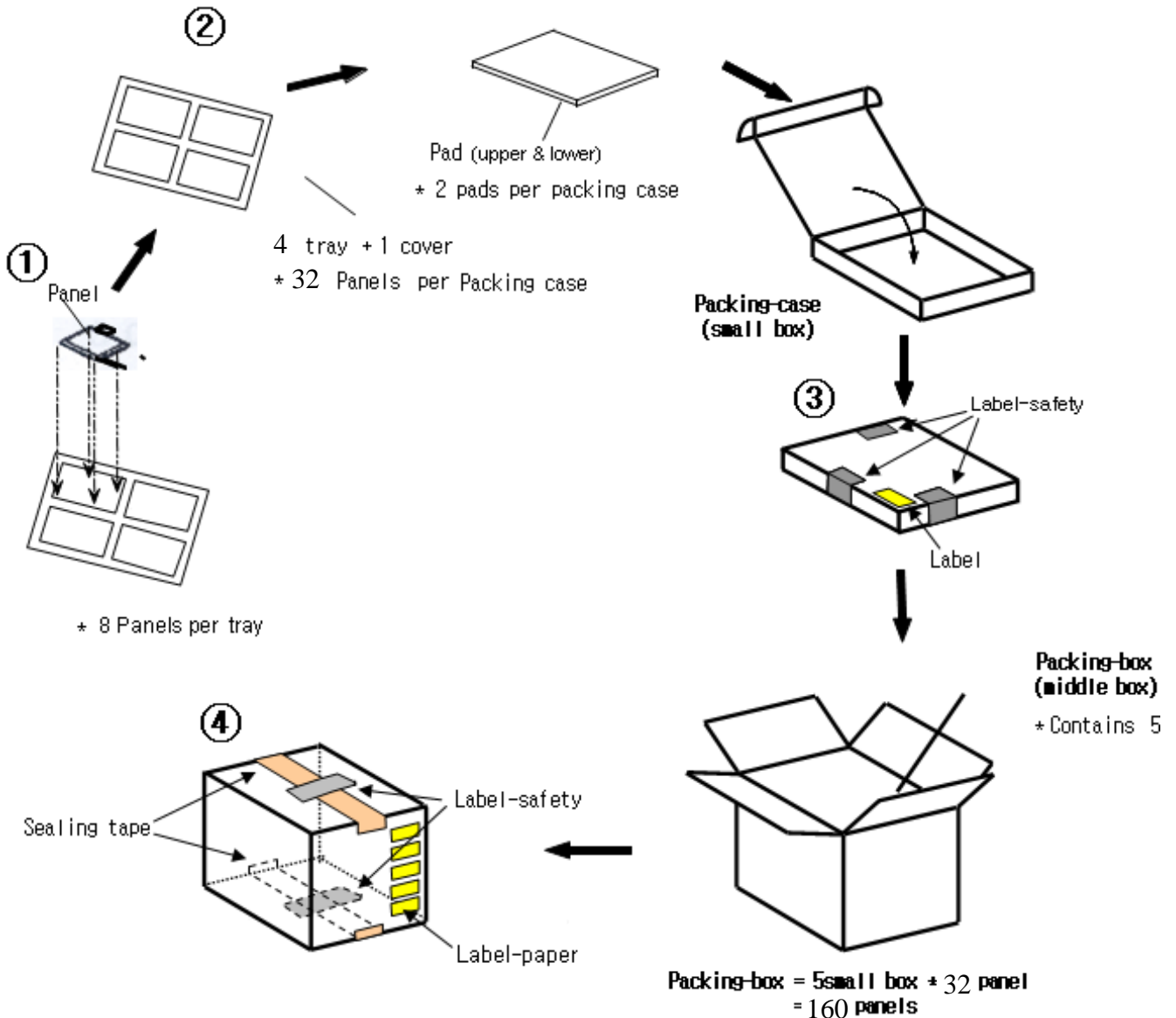


STEP	GENERAL TOLERANCE			REV	DATE	DESCRIPTION OF REVISION				REASON	CHG'D BY		
	LEVEL 1	LEVEL 2	LEVEL 3			UNIT	mm	DRA'N BY	DES'D BY		CHK'D BY	APP'D BY	MODEL NAME
0 < X ≤ 4	±0.05	±0.1	±0.2								LTE480WQ-F01		
4 < X ≤ 16	±0.08	±0.15	±0.3			W.H.KIM					Outline Dimension		
16 < X ≤ 64	±0.12	±0.25	±0.5			2006 08 22							
64 < X ≤ 256	±0.25	±0.4	±0.8										
						SAMSUNG ELECTRONICS				SPEC. NO	CODE NO.	VER.	002

REVISED

## 9. Packing

www.DataSheet4U.com



### Note

- (1) Total : Case: Approx. : 3 Kg  
Box: Approx. : 15.5 Kg
- (2) Size : Case: 490(W) x 342(D) x 58(H)  
Box: 505(W) x 355(D) x 312(H)
- (3) Place the panels in the tray facing the direction shown in the figure.
- (4) Place 4 tray and cover(empty tray) and pads inside the packing-case.
- (5) Place 5 packing-case inside the packing-box. (Affix the label)
- (6) Seal the packing-box. Affix the label-safety.

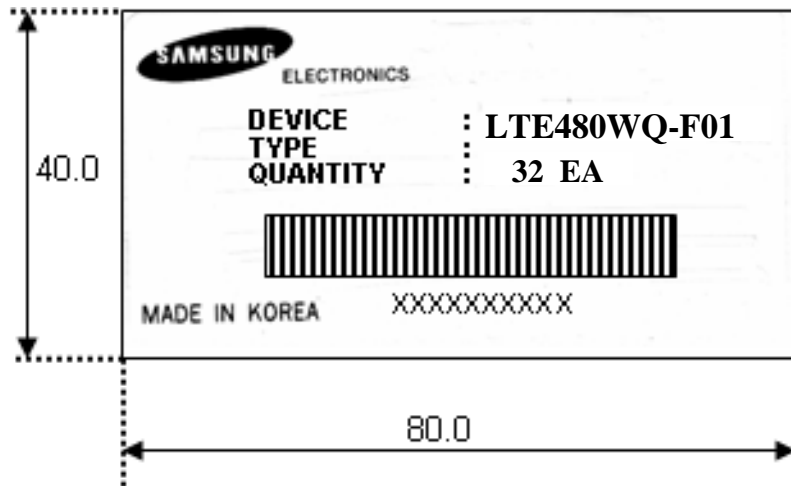


### 10. Marking & Others

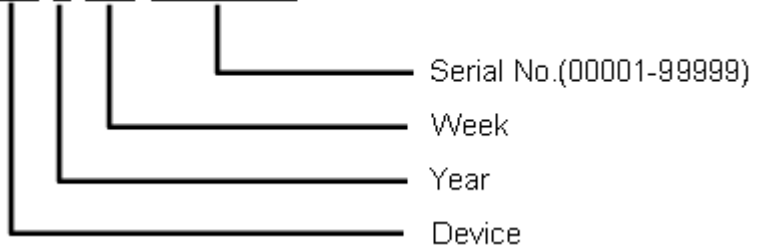
www.DataSheet4U.com

A nameplate bearing followed by is affixed to a shipped product at the Specified location on each product.

(1) Packing case attach



X X X X X X X X X X



## 11. General Precautions

www.DataSheet4U.com

### 11.1 Handling

- (a) When the module is assembled, it should be attached to the system firmly. Be careful not to twist and bend the module.
- (b) Refrain from strong mechanical shock and / or any force to the module. In addition to damage, this may cause improper operation or damage to the module and back-light unit.
- (c) Note that polarizers are very fragile and could be easily damaged. Do not press or scratch the surface harder than a HB pencil lead.
- (d) Wipe off water droplets or oil immediately. If you leave the droplets for a long time, Staining and discoloration may occur.
- (e) If the surface of the polarizer is dirty, clean it using some absorbent cotton or soft cloth.
- (f) The desirable cleaners are water, IPA(Isopropyl Alcohol) or Hexane. Do not use Ketone type materials(ex. Acetone), Ethyl alcohol, Toluene, Ethyl acid or Methyl chloride. It might permanent damage to the polarizer due to chemical reaction.
- (g) If the liquid crystal material leaks from the panel, it should be kept away from the eyes or mouth. In case of contact with hands, legs or clothes, it must be washed away thoroughly with soap.
- (h) Protect the module from static , it may cause damage to the Integrated Gate Circuit.
- (i) Use finger-stalls with soft gloves in order to keep display clean during the incoming inspection and assembly process.
- (j) Do not disassemble the module.
- (k) Do not adjust the variable resistor which is located on the back side.
- (l) Protection film for polarizer on the module shall be slowly peeled off just before use so that the electrostatic charge can be minimized.
- (m) Pins of I/F connector shall not be touched directly with bare hands

## 11.2 Storage

www.DataSheet4U.com

- (a) Do not leave the panel in high temperature, and high humidity for a long time. It is highly recommended to store the module with temperature from 0 to 35°C and relative humidity of less than 70%.
- (b) Do not store the TFT-LCD module in direct sunlight.
- (c) The module shall be stored in a dark place. It is prohibited to apply sunlight or fluorescent light during the store.

## 11.3 Operation

- (a) Do not connect, disconnect the module in the "Power On" condition.
- (b) Power supply should always be turned on/off by the "Power on/off sequence"
- (c) Module has high frequency circuits. Sufficient suppression to the electromagnetic interference shall be done by system manufacturers. Grounding and shielding methods may be important to minimize the interference.

## 11.4 Others

- (a) The Liquid crystal is deteriorated by ultraviolet, do not leave it in direct sunlight and strong ultraviolet ray for many hours.
- (b) Avoid condensation of water. It may result in improper operation or disconnection of electrode.
- (c) Do not exceed the absolute maximum rating value. ( the supply voltage variation, input voltage variation, variation in part contents and environmental temperature, and so on) Otherwise the panel may be damaged.
- (d) If the panel displays the same pattern continuously for a long period of time, it can be the situation when the image "Sticks" to the screen.
- (e) This panel has its circuitry FPC on the bottom side and should be handled carefully in order not to be stressed.
- (f) Avoid shortness between LED soldering pad.