

GERMANIUM POWER TRANSISTORS

PRO ELECTRON TYPES

Type Number	V_{CBO} V max	V_{CEO} V max	V_{EBO} V max	I_C A max	CURRENT GAIN at			f_T MHz	$R_{\theta j-c}$ °C/W max	Outlines	NOTES
					h_{FE} min-max	V_{CE} V	I_C A				
AUY22	80	60	20	8	12.5-25	0.5	5	0.3	1.5	128	—II
	80	60	20	8	20-40	0.5	5	0.3	1.5	128	—III
AUY24	80	60	20	8	30-60	0.5	5	0.3	1.5	128	—IV
AUY26	65	45	20	3	30-50	0.6	1	0.35	1.5	128	
	80	60	20	3	20-35	0.6	1	0.35	1.5	128	
AUY27	80	60	20	3	30-50	0.6	1	0.35	1.5	128	
AUY28	90	65	25	6	20-33	1.5	5	0.25	1.5	127	
AUY29	50	32	10	15	20-40	0.5	5	0.3	1.5	128	—III
	50	32	10	15	30-60	0.5	5	0.3	1.5	128	—IV
	50	32	10	15	50-100	0.5	5	0.3	1.5	128	—V
AUY34	100	80	20	3	12.5-25	1	1	0.35	1.5	127	—II
	100	80	20	3	20-40	1	1	0.35	1.5	127	—III
	100	80	20	3	30-60	1	1	0.35	1.5	127	—IV
OC19	32	32	10	3	10-56	1	2		1.0	127	
OC20	100	75	40	8	20-45	1	6		1.0	127	
OC22	47	32	15	2	50 -	2	1		3.0	127	
OC23	55	40	15	2	50 -	2	1		3.0	127	
OC24	47	40	15	2	50 -	2	1		3.0	127	
OC25	40	40	10	4	12-50	1	4		2.0	127	
OC26	32	32	10	4	20-60	1	1		1.2	127	
OC28	80	60	40	10	15-30	1	6	0.2	1.5	127	
OC29	60	48	20	10	35-80	1	6	0.25	1.5	127	
OC30	16	16	10	1.4	28	1	0.8		1.0	127	
OC35	60	48	20	10	20-45	1	6	0.22	1.5	127	
OC36	80	60	40	10	20-65	1	6	0.22	1.5	127	

Outline numbers refer to Pro-Electron designs.

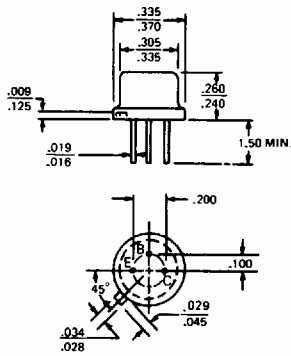
GERMANIUM POWER TRANSISTORS

Type Number	Case Type	V_{CBO} V	V_{CEO} V	V_{EBO} V	V_{CER} V	V_{CES} V	CURRENT GAIN			SATURATION VOLTAGES			θ_{j-c} °C/W		
							Min.	h_{FE} Max.	$V_{CE} @ I_C$ V A	$V_{CE(s)}$ V	$V_{BE(s)}$ V	$I_C @ I_B$ A A			
2 AMP GERMANIUM PNP															
2N250	TO-3	30		15.0			30		2.0	.5	.25		.5	.050	2.20
2N251	TO-3	60		15.0			30		2.0	.5	.25		.5	.050	2.20
2N296	TO-3	60		15.0	60		20		2.0	1.0	1.00		1.0	.100	3.00
2N301	TO-3	40		10.0	50		30	70	1.5	.5					1.00
2N301A	TO-3	60		10.0	50		30	70	1.5	.5					1.00
2N307A	TO-3	35		10.0			30		1.0	.5					1.50

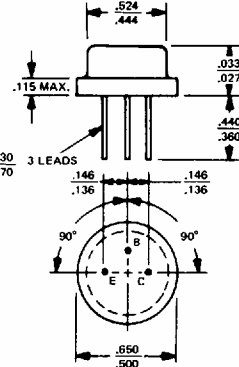
GERMANIUM POWER TRANSISTORS

CASE OUTLINE DRAWINGS & DIMENSIONS

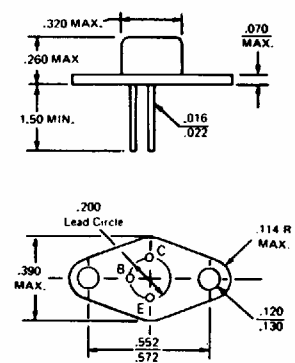
T0-5



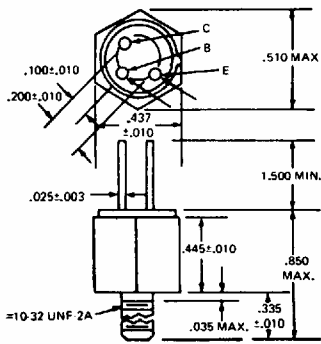
T0-8



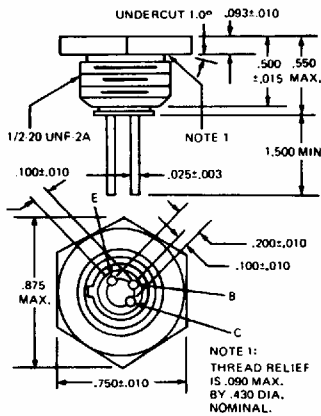
T0-37



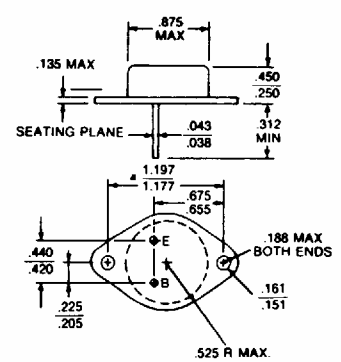
MT-27



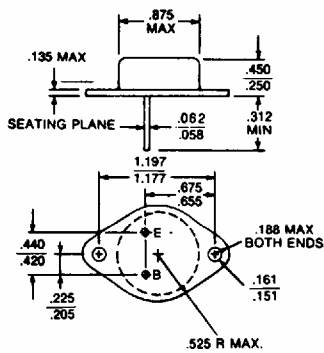
MT-28



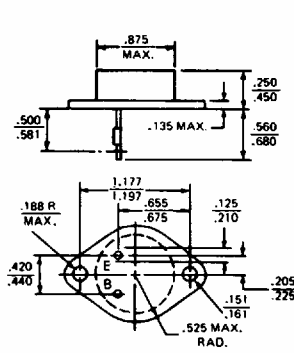
T0-3



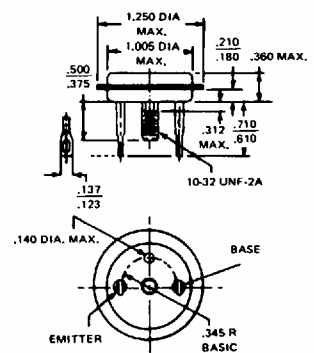
MODIFIED T0-3
(60 mil pins)



T0-41



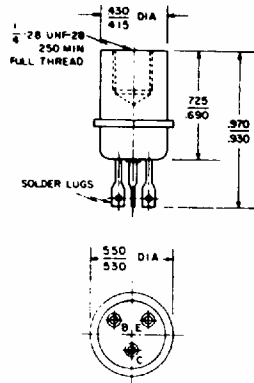
T0-36



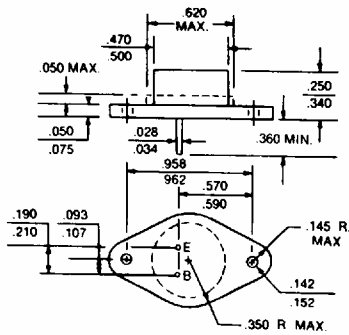
GERMANIUM POWER TRANSISTORS

CASE OUTLINE DRAWINGS & DIMENSIONS

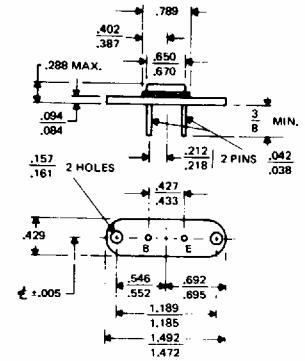
TO-13



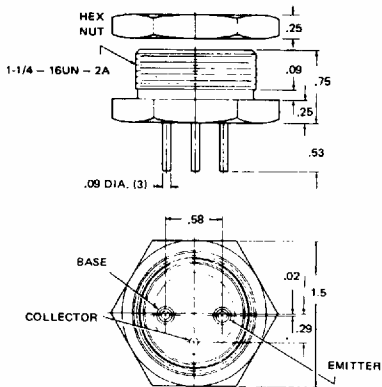
TO-66



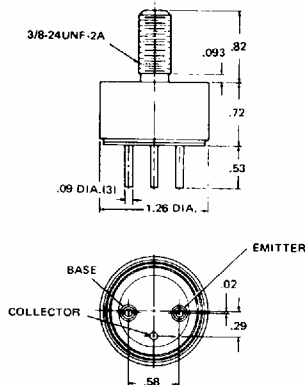
MS-7



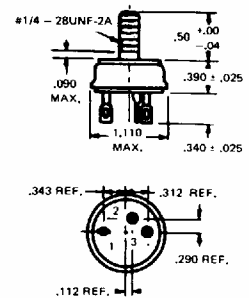
MT-22



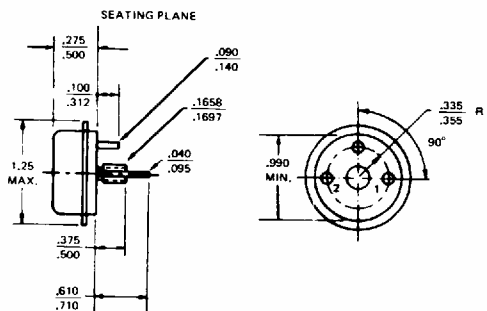
MT-23



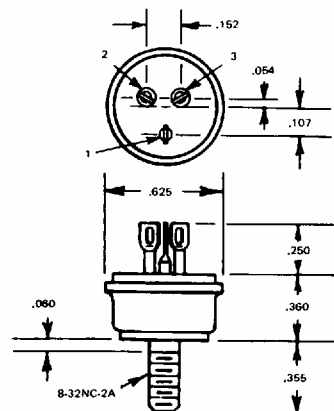
MT-7



TO-68



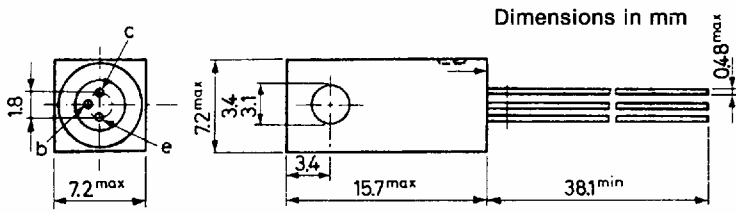
MT-36



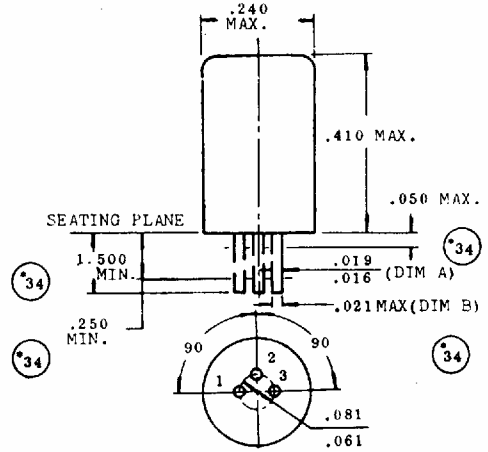
GERMANIUM POWER TRANSISTORS

CASE OUTLINE DRAWINGS & DIMENSIONS

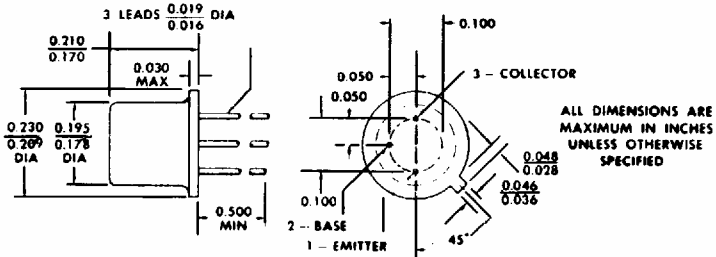
NS257



TO-1



TO-18



THE COLLECTOR IS ELECTRICAL CONTACT WITH THE CASE.

ALL JEDEC TO-18 DIMENSIONS AND NOTES ARE APPLICABLE.



GERMANIUM POWER DEVICES CORP.