

Cascadable Amplifier

10 to 500 MHz

RA89-1/SMRA89-1

V2

Features

- HIGH GAIN-TWO STAGES: 30.0 dB (TYP.)
- HIGH OUTPUT POWER: +21.5 dBm (TYP.)
- HIGH THIRD ORDER I.P.: +36 dBm (TYP.)
- LOW VSWR: <1.5:1 (TYP.)

Description

The RA89-1 RF amplifier is a discrete hybrid design, which uses thin film manufacturing processes for consistent performance and high reliability.

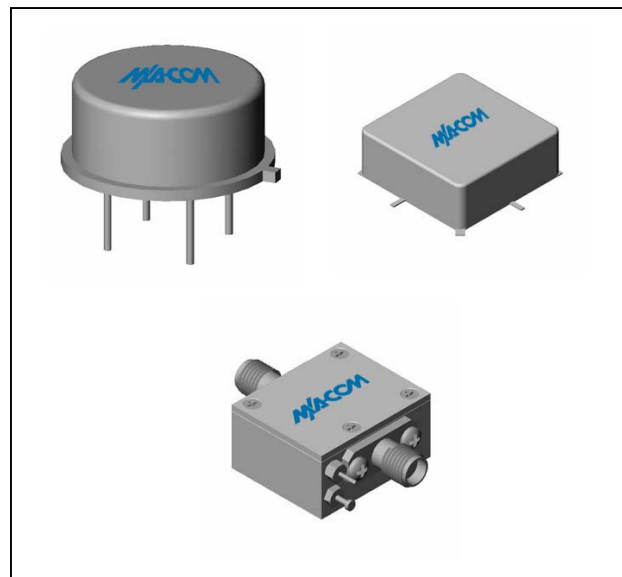
This 2 stage bipolar transistor feedback amplifier design displays impressive performance over a broadband frequency range. An active DC biasing network insures temperature-stable performance.

Both TO-8B and Surface Mount packages are hermetically sealed, and MIL-STD-883 environmental screening is available.

Ordering Information

Part Number	Package
RA89-1	TO-8B
SMRA89-1	Surface Mount
CRA89-1	SMA Connectorized

Product Image



Electrical Specifications: $Z_0 = 50\Omega$, $V_{CC} = +15 V_{DC}$

Parameter	Units	Typical	Guaranteed	
		25°C	0° to 50°C	-54° to +85°C*
Frequency	MHz	5-600	10-500	10-500
Small Signal Gain (min)	dB	30.0	29.0	28.0
Gain Flatness (max)	dB	±0.3	±0.7	±1.0
Reverse Isolation	dB	36		
Noise Figure (max)	dB	3.2	4.5	5.0
Power Output @ 1 dB comp. (min)	dBm	21.5	20.0	20.0
IP3	dBm	+36		
IP2	dBm	+50		
Second Order Harmonic IP	dBm	+57		
VSWR Input / Output (max)		1.5:1 / 1.5:1	1.8:1 / 1.8:1	2.0:1 / 2.0:1
DC Current @ 15 Volts (max)	mA	130	137	140

Absolute Maximum Ratings

Parameter	Absolute Maximum
Storage Temperature	-62°C to +125°C
Case Temperature	125°C
DC Voltage	+17 V
Continuous Input Power	+13 dBm
Short Term Input power (1 minute max.)	50 mW
Peak Power (3 µsec max.)	0.5 W
"S" Series Burn-In Temperature (case)	125°C

Thermal Data: $V_{CC} = +15 V_{DC}$

Parameter	Rating
Thermal Resistance θ_{jc}	87°C/W
Transistor Power Dissipation P_d	0.873 W
Junction Temperature Rise Above Case T_{jc}	76°C

* Over temperature performance limits for part number CRA89-1, guaranteed from 0°C to +50°C only.

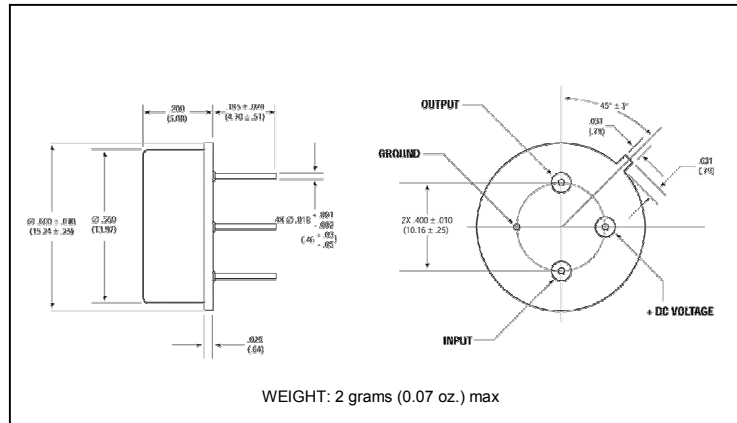
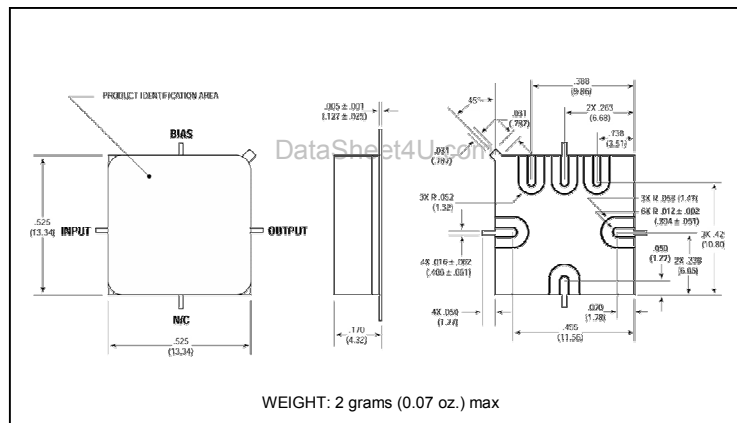
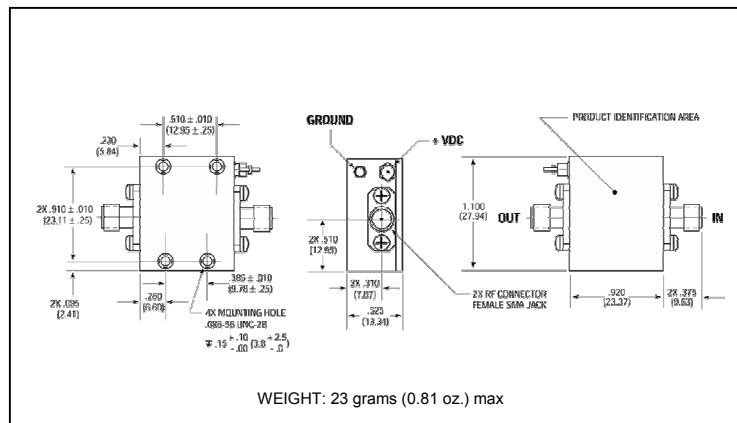
M/A-COM Inc. and its affiliates reserve the right to make changes to the product(s) or information contained herein without notice. M/A-COM makes no warranty, representation or guarantee regarding the suitability of its products for any particular purpose, nor does M/A-COM assume any liability whatsoever arising out of the use or application of any product(s) or information.

• **North America** Tel: 800.366.2266 / Fax: 978.366.2266
 • **Europe** Tel: 44.1908.574.200 / Fax: 44.1908.574.300
 • **Asia/Pacific** Tel: 81.44.844.8296 / Fax: 81.44.844.8298

Visit www.macom.com for additional data sheets and product information.

Cascadable Amplifier
10 to 500 MHz
RA89-1/SMRA89-1

V2

Outline Drawing: TO-8B *

Outline Drawing: Surface Mount *

Outline Drawing: SMA Connectorized *

 * Dimensions are inches (millimeters) ± 0.015 (0.38) unless otherwise specified.

2

M/A-COM Inc. and its affiliates reserve the right to make changes to the product(s) or information contained herein without notice. M/A-COM makes no warranty, representation or guarantee regarding the suitability of its products for any particular purpose, nor does M/A-COM assume any liability whatsoever arising out of the use or application of any product(s) or information.

• **North America** Tel: 800.366.2266 / Fax: 978.366.2266
 • **Europe** Tel: 44.1908.574.200 / Fax: 44.1908.574.300
 • **Asia/Pacific** Tel: 81.44.844.8296 / Fax: 81.44.844.8298

 Visit www.macom.com for additional data sheets and product information.