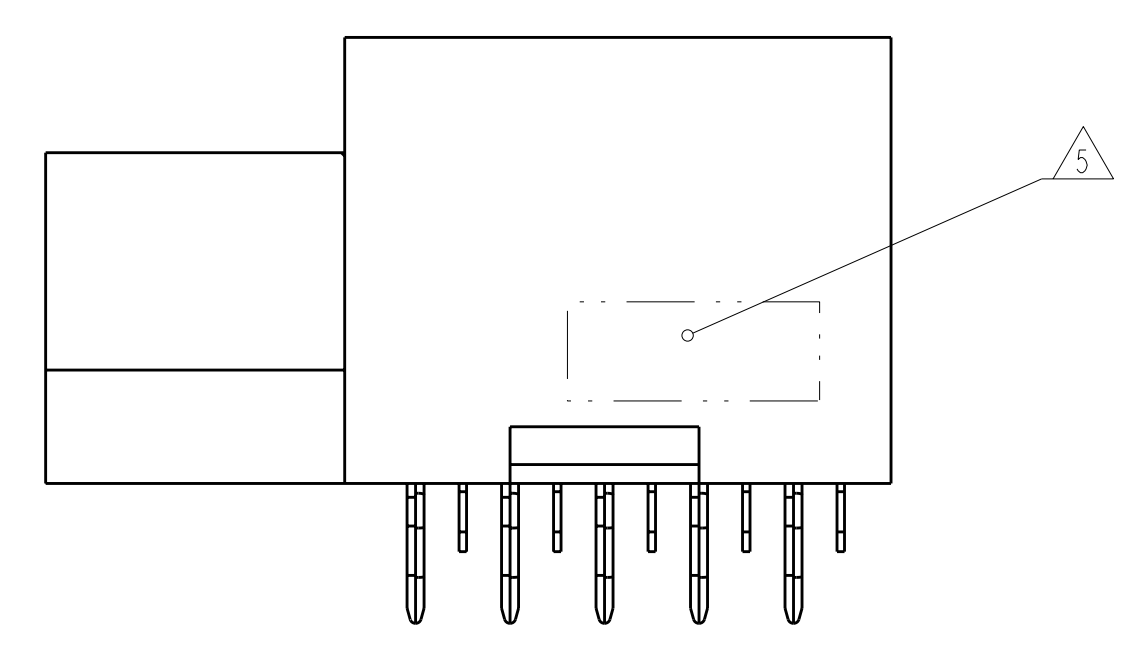
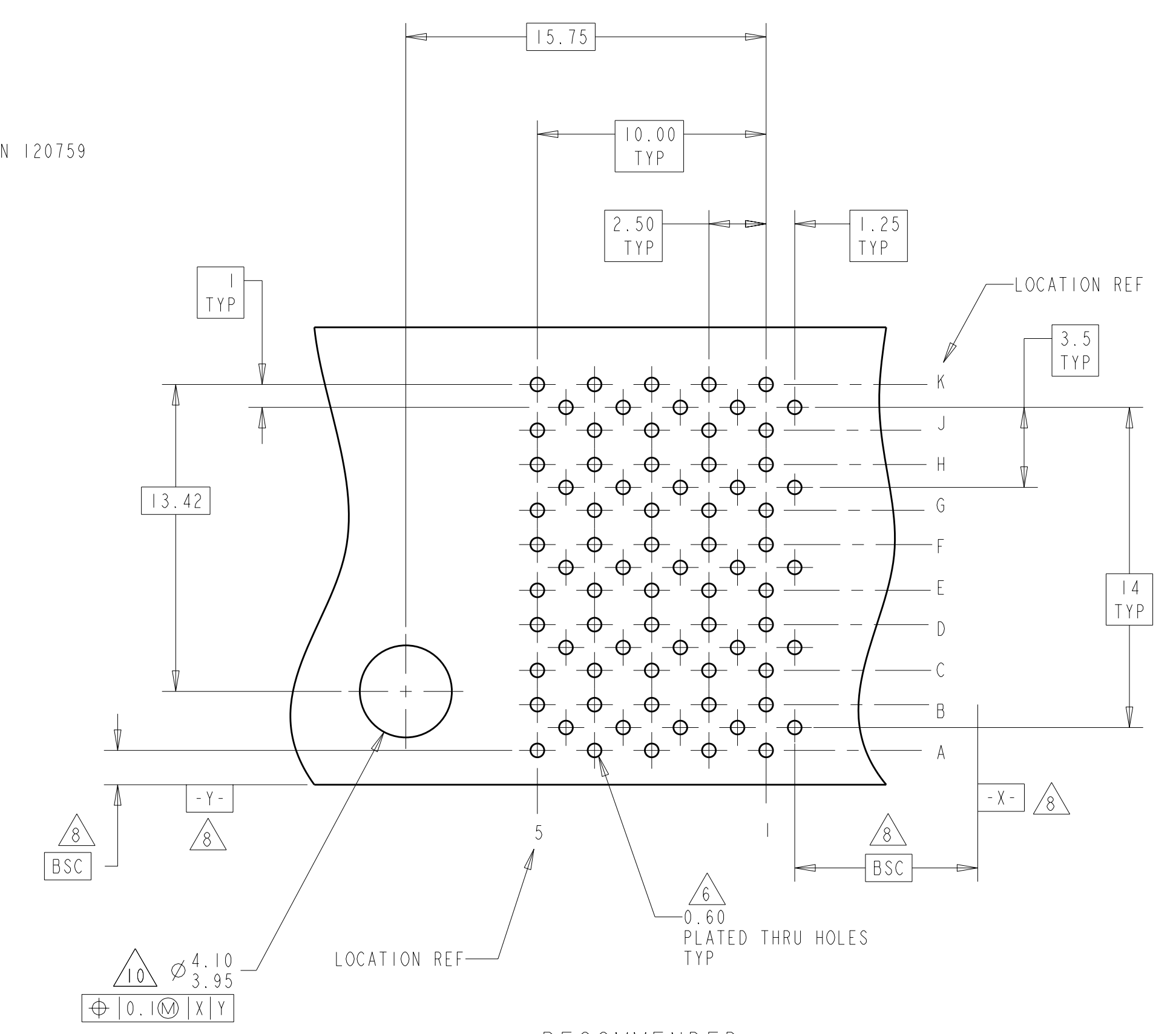
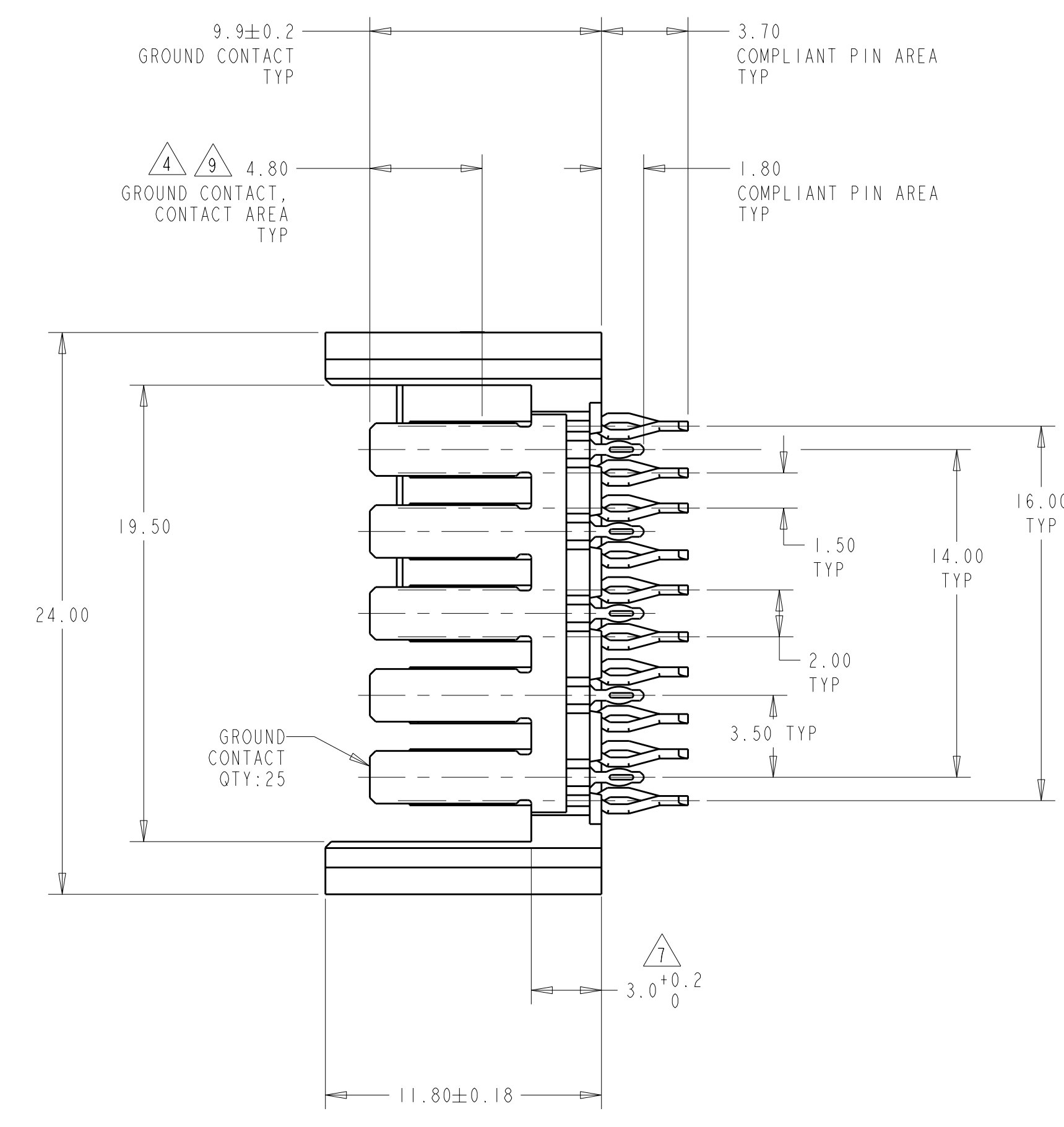
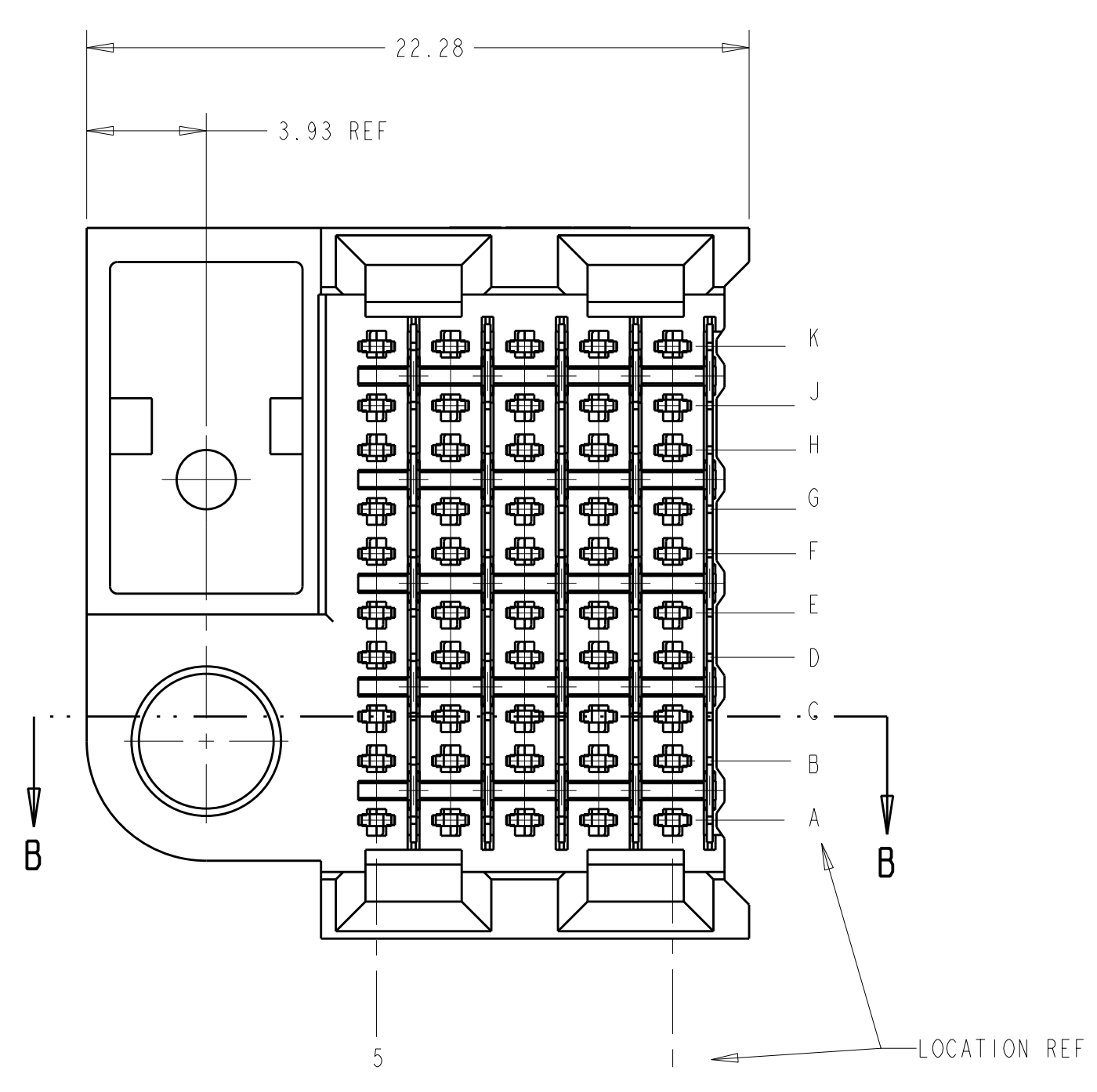
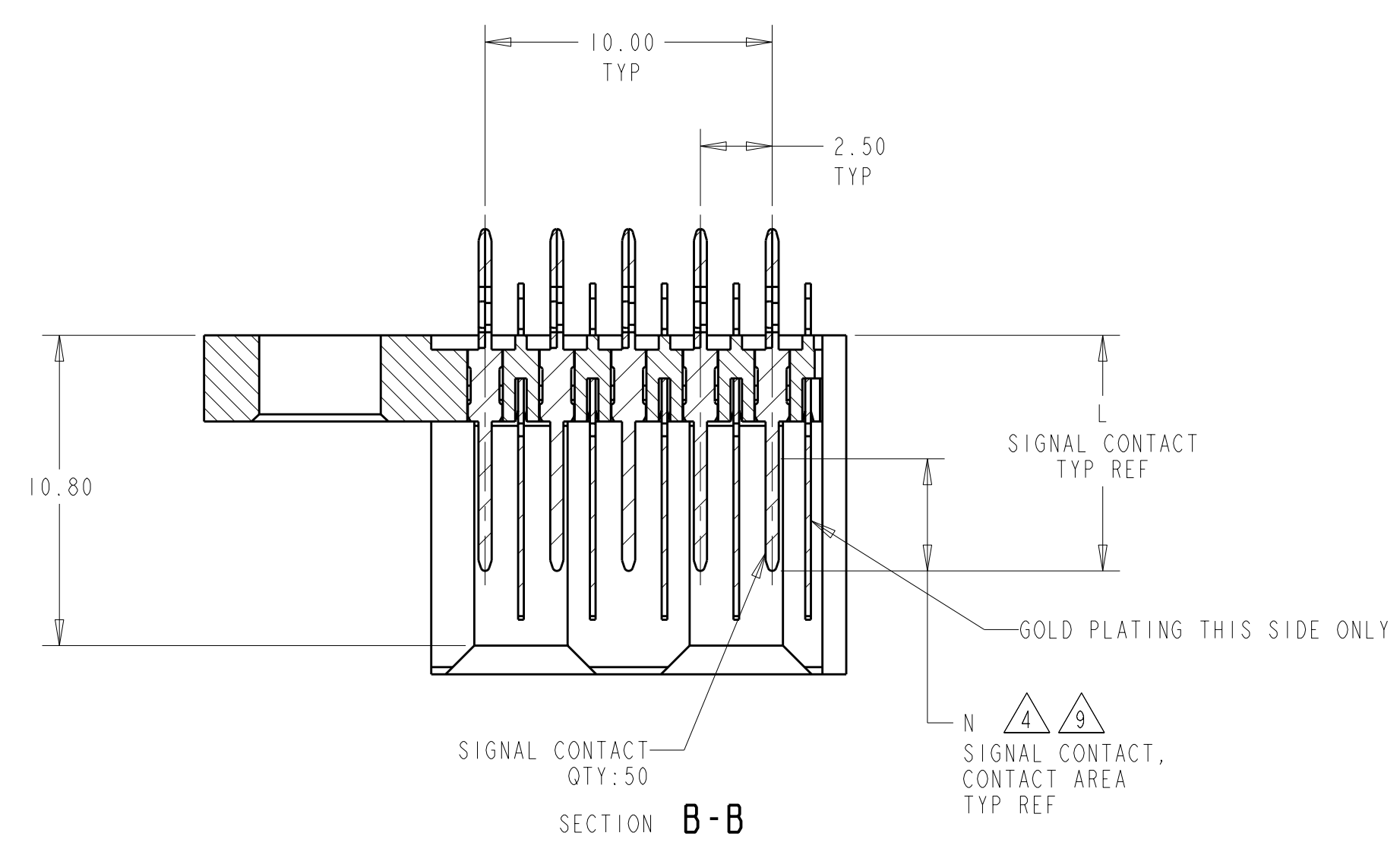


LOC	DIST	REV	DATE	BY	APPD
AD	00	0	06DEC2004	BC	RP
		01	18JAN2007	JRP	RAP
		02	09DEC2009	KK	AEQ

- 2 PHOSPHOR BRONZE
- 3 LCP, UL94V-0
- 4 0.76µm MIN GOLD OVER 1.27µm MIN NICKEL UNDERPLATE OR GOLD FLASH OVER 0.76µm MIN PALLADIUM-NICKEL OVER 1.27µm MIN NICKEL UNDERPLATE ON CONTACT AREA. 0.76µm MIN TIN LEAD OVER 1.27µm MIN NICKEL ON COMPLIANT PIN AREA
- 5 CONNECTOR MARKED WITH PART NUMBER AND DATE CODE
- 6 REFERENCE APPLICATION SPEC 114-13020 FOR RECOMMENDED PLATED THRU HOLE DIAMETER AND PLATING THICKNESS.
- 7 APPLICATION SEATING HEIGHT TO PRINTED CIRCUIT BOARD
- 8 DATUMS AND BASIC DIMENSIONS ESTABLISHED BY CUSTOMER
- 9 CONTACT AREA LUBRICATED WITH BELLCORE APPROVED LUBRICANT TECHNICAL REFERENCE: GR-1217-CORE, ISSUE 1, NOVEMBER 1995
- 10 HOLE DIAMETER SHOULD BE 3.10 WHEN USING FEED THROUGH GUIDE PIN P/N 120759 CLEARANCE FOR M3x0.5 THREAD
- 11 OBSOLETE PARTS: OBSOLETE CIS STREAMLINING PER D.RENAUD/D.SINISI



11 OBSOLETE	5.30	9.7	5120661-2
	3.90	8.2	5120661-1
	M	L	PART NUMBER

DIMENSIONS: mm 9 PLC ± 1 PLC ± 5 PLC ±0.13 4 PLC ± ANGLES ±		TOLERANCES UNLESS OTHERWISE SPECIFIED: FINISH: - SIGNAL CONTACT: 4		DWN: B. CARBO CHK: R. PATTERSON APPD: R. PATTERSON NAME: R. PATTERSON PRODUCT SPEC: 06DEC04 APPLICATION SPEC: 06DEC04 WEIGHT: - CUSTOMER DRAWING		tyco Electronics Tyco Electronics Corporation Harrisburg, PA 17105-3608		HEATER ASSEMBLY, 50 POSITION, RIGHT HAND, 10 ROW, Z PACK HS3 SIZE: A1 CAGE CODE: 00779 DRAWING NO: C=5120661 SCALE: 5:1 SHEET: 1 OF 1 REV: 02	
--	--	--	--	---	--	--	--	---	--