

AF-11264C

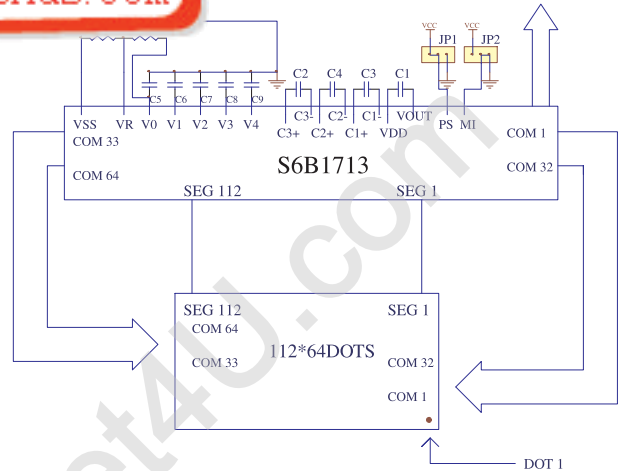
•112x64 dots 1/64 Duty

FEATURE

1. Construction : FSTN LCD panel, COF and LED light-guide.
2. Drive : S6B1713.
3. 3.0V power input.
4. Extended temperature type.

液晶之友 电话: 020-33819057
<http://www.lcdfriends.com>

BLOCK DIAGRAM & POWER SUPPLY

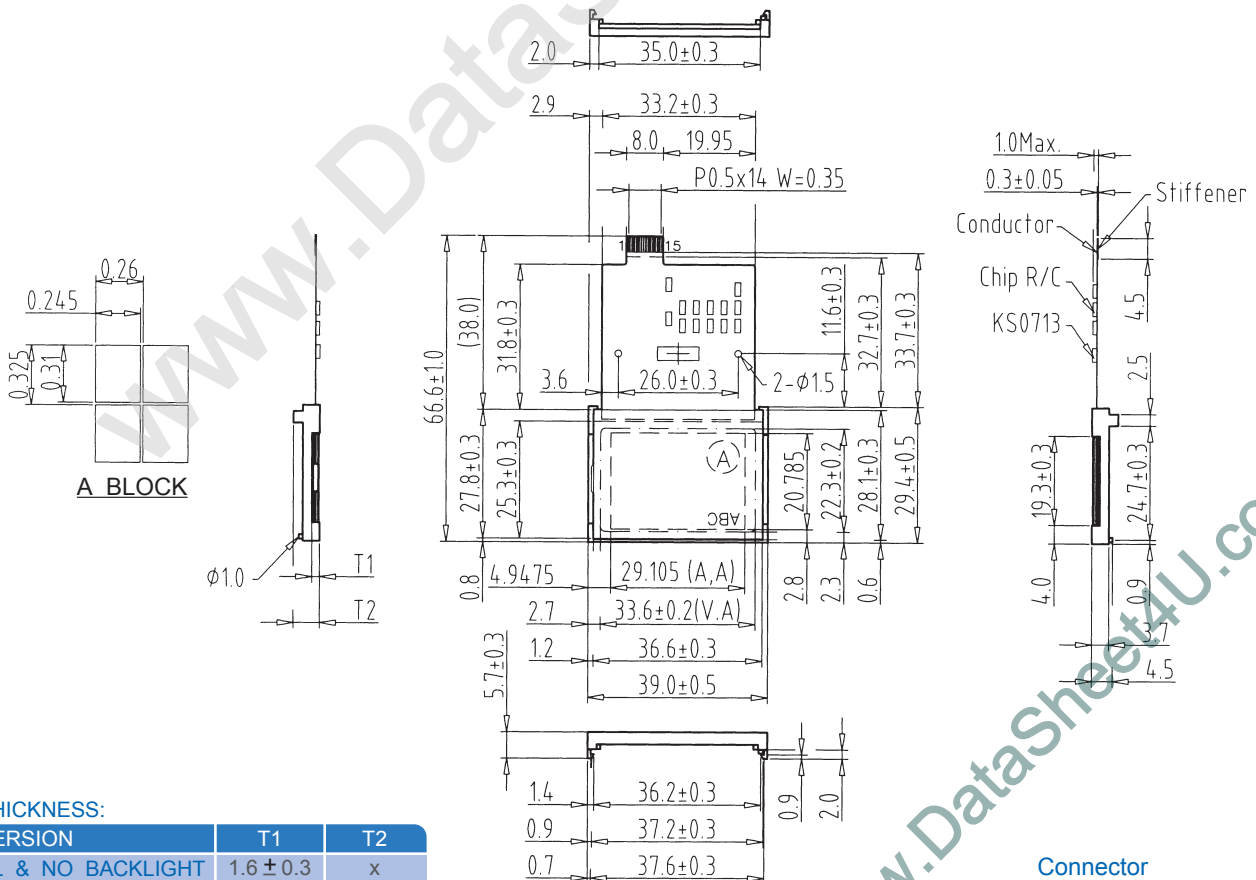


ELECTRICAL CHARACTERISTICS

Parameter	Symbol	Condition	Typ. Value	Unit.
LCD Driving Voltage	VLCD	25°C	8.8	V
Logic Supply Current	IDD	VDD=3.3V	0.2	mA

INTERFACE

1	2	3	4	5	6	7	8	9	10
/CS	/RES	A0	/WR	/RD	DO	D1	D2	D3	D4
11	12	13	14	15					
D5	D6	D7	VSS	VDD					



THICKNESS:

VERSION	T1	T2
EL & NO BACKLIGHT	1.6±0.3	x
LED BACKLIGHT	1.7	5.7±0.3

Connector
 CN1: Molex: 52746-1590