

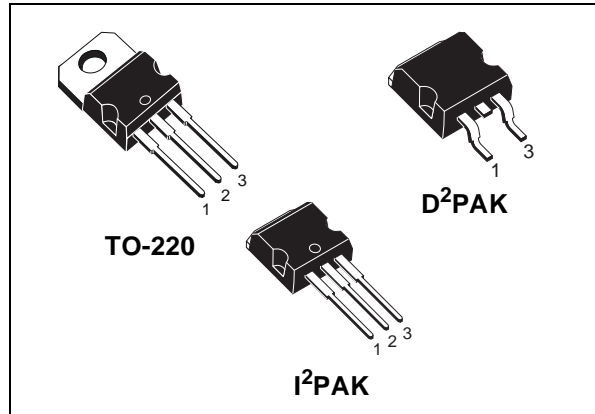


STP40NF10 STB40NF10 - STB40NF10-1

N-CHANNEL 100V - 0.024Ω - 50A TO-220/D²PAK/I²PAK
LOW GATE CHARGE STripFET™ II POWER MOSFET

| TYPE | V _{DSS} | R _{DS(on)} | I _D |
|-------------|------------------|---------------------|----------------|
| STP40NF10 | 100 V | < 0.028 Ω | 50 A |
| STB40NF10 | 100 V | < 0.028 Ω | 50 A |
| STB40NF10-1 | 100 V | < 0.028 Ω | 50 A |

- TYPICAL R_{DS(on)} = 0.024Ω
- EXCEPTIONAL dv/dt CAPABILITY
- 100% AVALANCHE TESTED
- APPLICATION ORIENTED CHARACTERIZATION
- ADD SUFFIX "T4" FOR ORDERING IN TAPE & REEL



DESCRIPTION

This Power MOSFET series realized with STMicroelectronics unique STripFET process has specifically been designed to minimize input capacitance and gate charge. It is therefore suitable as primary switch in advanced high-efficiency isolated DC-DC converters for Telecom and Computer application. It is also intended for any application with low gate charge drive requirements.

APPLICATIONS

- HIGH-EFFICIENCY DC-DC CONVERTERS
- UPS AND MOTOR CONTROL

ABSOLUTE MAXIMUM RATINGS

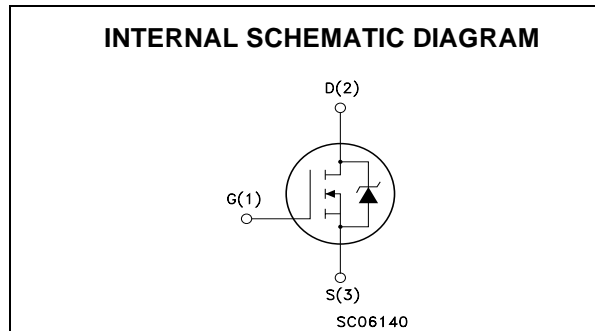
| Symbol | Parameter | Value | Unit |
|---------------------|--|-------------|------|
| V _{DS} | Drain-source Voltage (V _{GS} = 0) | 100 | V |
| V _{DGR} | Drain-gate Voltage (R _{GS} = 20 kΩ) | 100 | V |
| V _{GS} | Gate- source Voltage | ± 20 | V |
| I _D (*) | Drain Current (continuous) at T _C = 25°C | 50 | A |
| I _D | Drain Current (continuous) at T _C = 100°C | 35 | A |
| I _{DM} (●) | Drain Current (pulsed) | 200 | A |
| P _{TOT} | Total Dissipation at T _C = 25°C | 150 | W |
| | Derating Factor | 1 | W/°C |
| dv/dt (1) | Peak Diode Recovery voltage slope | 20 | V/ns |
| E _{AS} (2) | Single Pulse Avalanche Energy | 150 | mJ |
| T _{stg} | Storage Temperature | - 55 to 175 | °C |
| T _j | Operating Junction Temperature | | |

(●) Pulse width limited by safe operating area

(*) Limited by Package

(1) I_{SD} ≤ 40A, di/dt ≤ 600A/μs, V_{DD} ≤ V_{(BR)DSS}, T_j ≤ T_{JMAX}.

(2) Starting T_j = 25°C, I_D = 40A, V_{DD} = 50V



STP40NF10 - STB40NF10 - STB40NF10-1

THERMAL DATA

| | | | |
|----------------|--|------|------|
| Rthj-case | Thermal Resistance Junction-case Max | 1 | °C/W |
| Rthj-amb | Thermal Resistance Junction-ambient Max | 62.5 | °C/W |
| T _I | Maximum Lead Temperature For Soldering Purpose | 300 | °C |

ELECTRICAL CHARACTERISTICS (T_{CASE} = 25 °C UNLESS OTHERWISE SPECIFIED) OFF

| Symbol | Parameter | Test Conditions | Min. | Typ. | Max. | Unit |
|----------------------|---|---|------|------|---------|----------|
| V _{(BR)DSS} | Drain-source Breakdown Voltage | I _D = 250 μA, V _{GS} = 0 | 100 | | | V |
| I _{DSS} | Zero Gate Voltage Drain Current (V _{GS} = 0) | V _{DS} = Max Rating V _{DS} = Max Rating, T _C = 125 °C | | | 1 10 | μA μA |
| I _{GSS} | Gate-body Leakage Current (V _{DS} = 0) | V _{GS} = ± 20V | | | ±100 | nA |

ON (1)

| Symbol | Parameter | Test Conditions | Min. | Typ. | Max. | Unit |
|---------------------|-----------------------------------|--|------|-------|-------|------|
| V _{GS(th)} | Gate Threshold Voltage | V _{DS} = V _{GS} , I _D = 250μA | 2 | 2.8 | 4 | V |
| R _{DS(on)} | Static Drain-source On Resistance | V _{GS} = 10V, I _D = 20 A | | 0.024 | 0.028 | Ω |

DYNAMIC

| Symbol | Parameter | Test Conditions | Min. | Typ. | Max. | Unit |
|---------------------|------------------------------|---|------|------|------|------|
| g _{fs} (1) | Forward Transconductance | V _{DS} = 25V, I _D = 20 A | | 20 | | S |
| C _{iss} | Input Capacitance | V _{DS} = 25V, f = 1 MHz, V _{GS} = 0 | | 1780 | | pF |
| C _{oss} | Output Capacitance | | | 265 | | pF |
| C _{rss} | Reverse Transfer Capacitance | | | 112 | | pF |

ELECTRICAL CHARACTERISTICS (CONTINUED)

SWITCHING ON

| Symbol | Parameter | Test Conditions | Min. | Typ. | Max. | Unit |
|-------------|--------------------|---|------|------|------|------|
| $t_{d(on)}$ | Turn-on Delay Time | $V_{DD} = 50\text{ V}, I_D = 20\text{ A}$ | | 28 | | ns |
| t_r | Rise Time | $R_G = 4.7\Omega, V_{GS} = 10\text{ V}$ (see test circuit, Figure 3) | | 63 | | ns |
| Q_g | Total Gate Charge | $V_{DD} = 80\text{ V}, I_D = 40\text{ A}, V_{GS} = 10\text{ V}$ | | 60 | 80 | nC |
| Q_{gs} | Gate-Source Charge | | | 10 | | nC |
| Q_{gd} | Gate-Drain Charge | | | 23 | | nC |

SWITCHING OFF

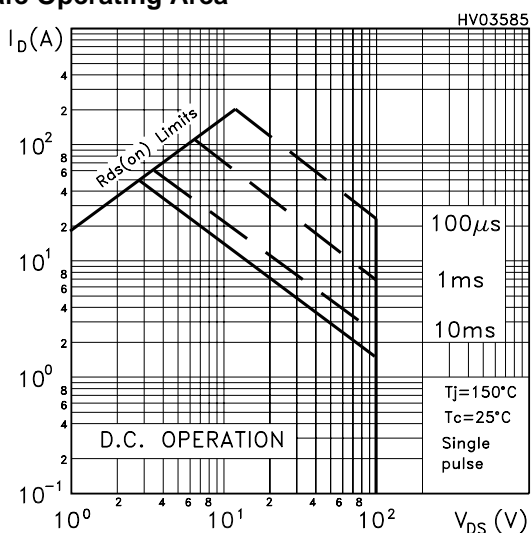
| Symbol | Parameter | Test Conditions | Min. | Typ. | Max. | Unit |
|--------------|---------------------|---|------|------|------|------|
| $t_{d(off)}$ | Turn-off-Delay Time | $V_{DD} = 50\text{ V}, I_D = 20\text{ A},$ | | 84 | | ns |
| t_f | Fall Time | $R_G = 4.7\Omega, V_{GS} = 10\text{ V}$ (see test circuit, Figure 3) | | 28 | | ns |

SOURCE DRAIN DIODE

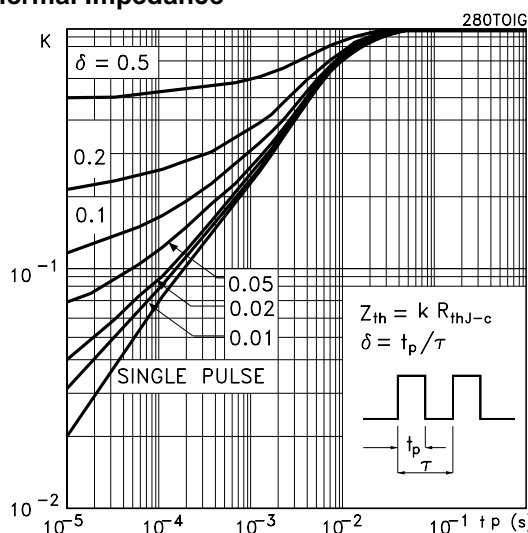
| Symbol | Parameter | Test Conditions | Min. | Typ. | Max. | Unit |
|--------------|-------------------------------|---|------|------|------|------|
| I_{SD} | Source-drain Current | | | | 40 | A |
| $I_{SDM(2)}$ | Source-drain Current (pulsed) | | | | 160 | A |
| $V_{SD(1)}$ | Forward On Voltage | $I_{SD} = 40\text{ A}, V_{GS} = 0$ | | | 1.3 | V |
| t_{rr} | Reverse Recovery Time | $I_{SD} = 40\text{ A}, di/dt = 100\text{ A}/\mu\text{s},$ | | 114 | | ns |
| Q_{rr} | Reverse Recovery Charge | $V_{DD} = 25\text{ V}, T_j = 150^\circ\text{C}$ | | 456 | | nC |
| I_{RRM} | Reverse Recovery Current | (see test circuit, Figure 5) | | 8 | | A |

Note: 1. Pulsed: Pulse duration = 300 μs , duty cycle 1.5 %.
2. Pulse width limited by safe operating area.

Safe Operating Area

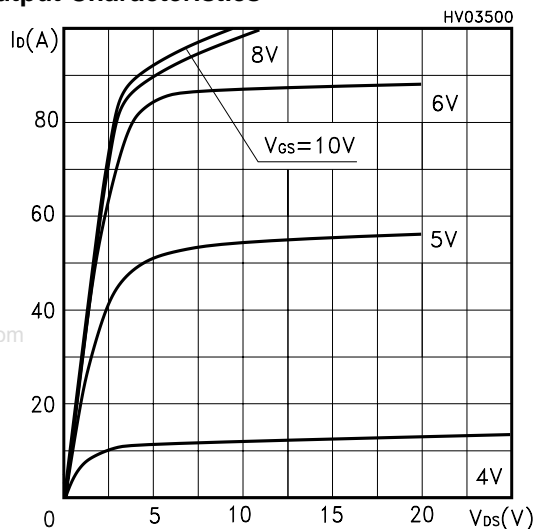


Thermal Impedance

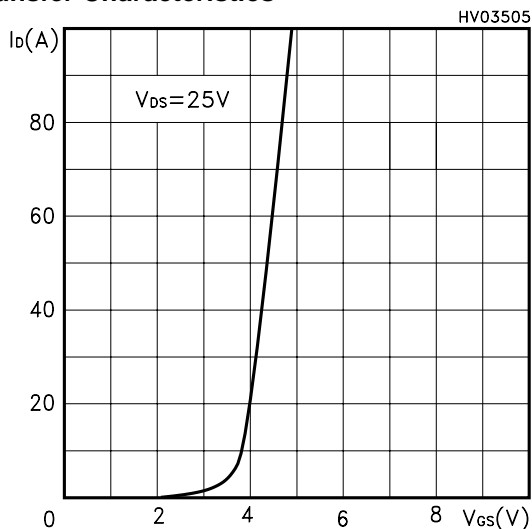


STP40NF10 - STB40NF10 - STB40NF10-1

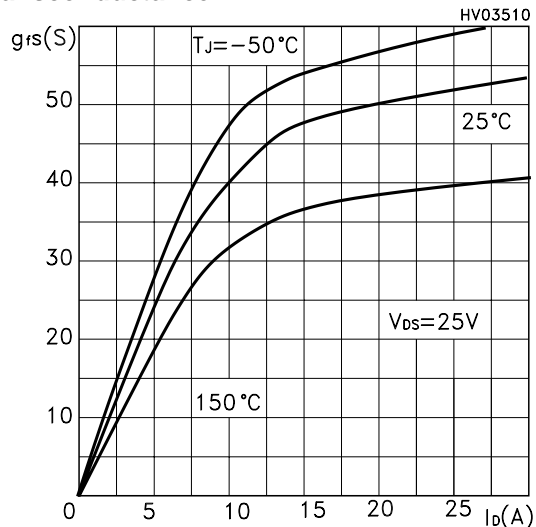
Output Characteristics



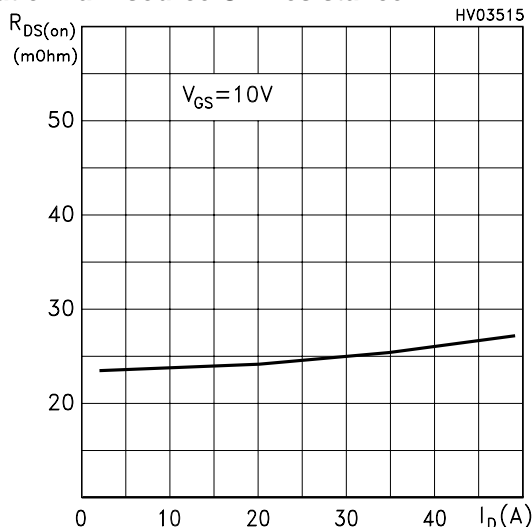
Transfer Characteristics



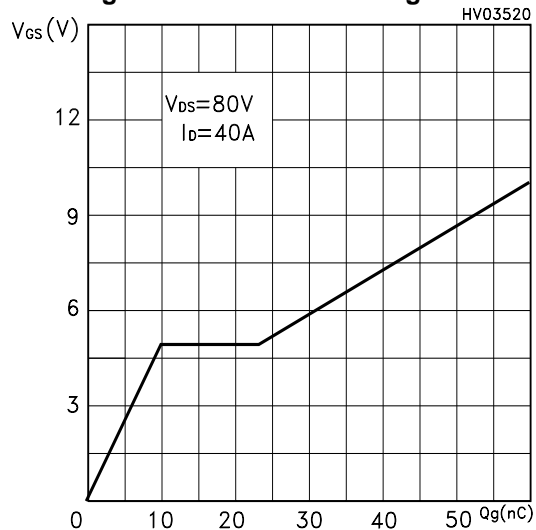
Transconductance



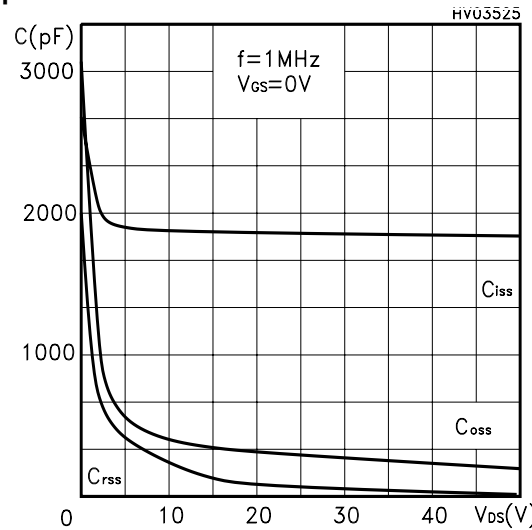
Static Drain-source On Resistance



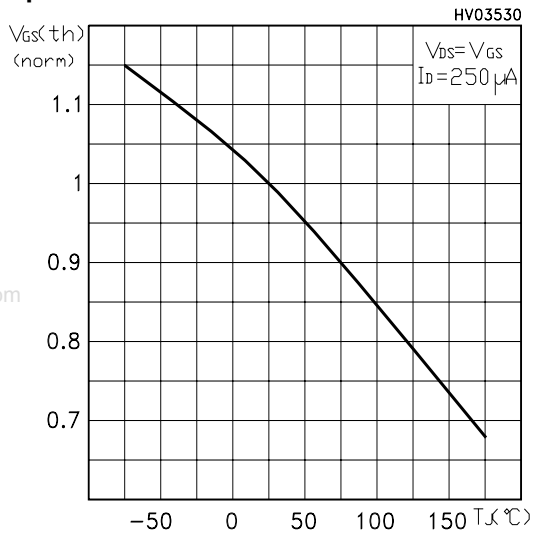
Gate Charge vs Gate-source Voltage



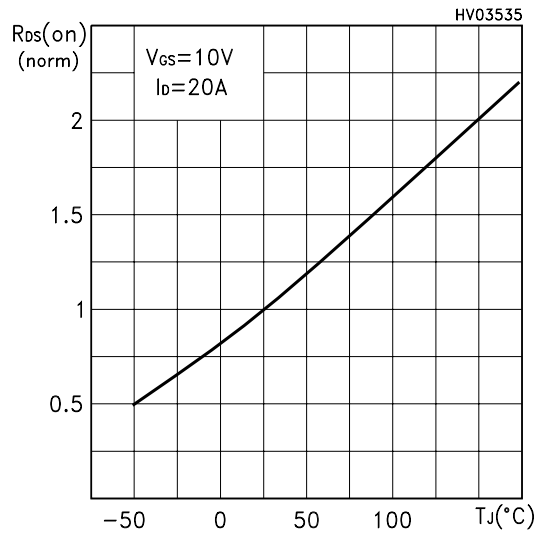
Capacitance Variations



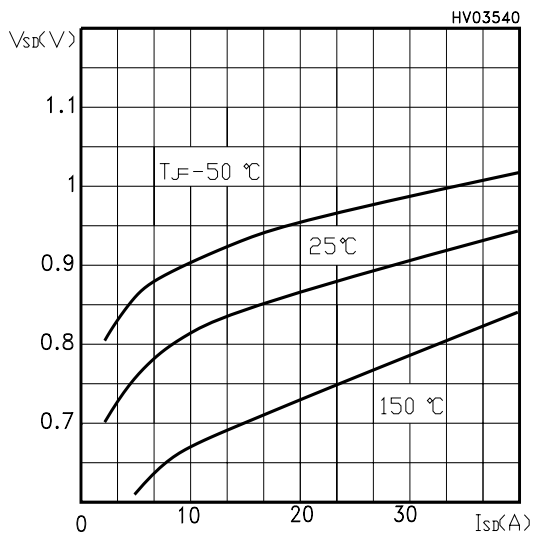
Normalized Gate Threshold Voltage vs Temperature



Normalized On Resistance vs Temperature



Source-drain Diode Forward Characteristics



Normalized Drain-Source Breakdown vs Temperature

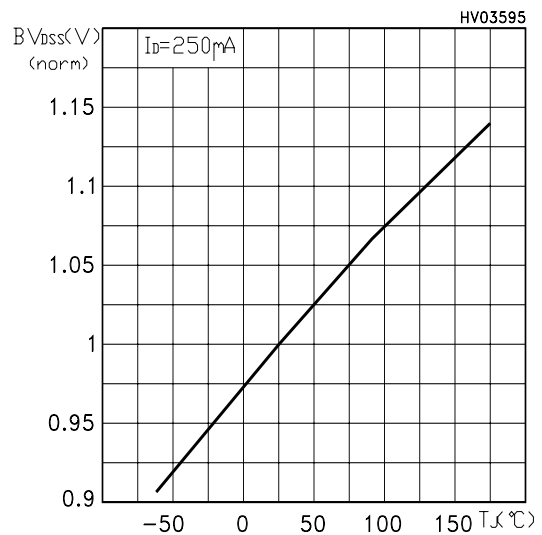


Fig. 1: Unclamped Inductive Load Test Circuit

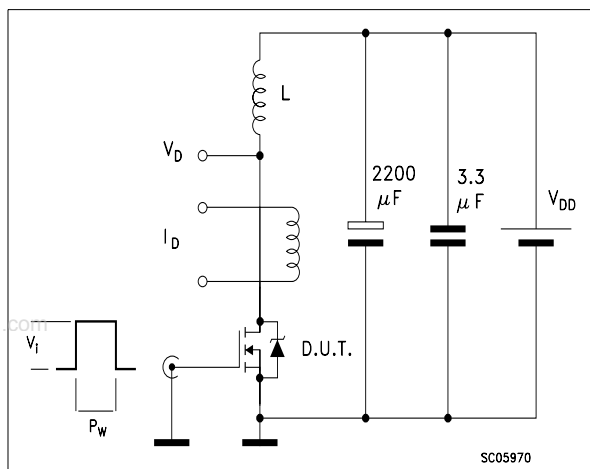


Fig. 2: Unclamped Inductive Waveform



Fig. 3: Switching Times Test Circuit For Resistive Load



Fig. 4: Gate Charge test Circuit

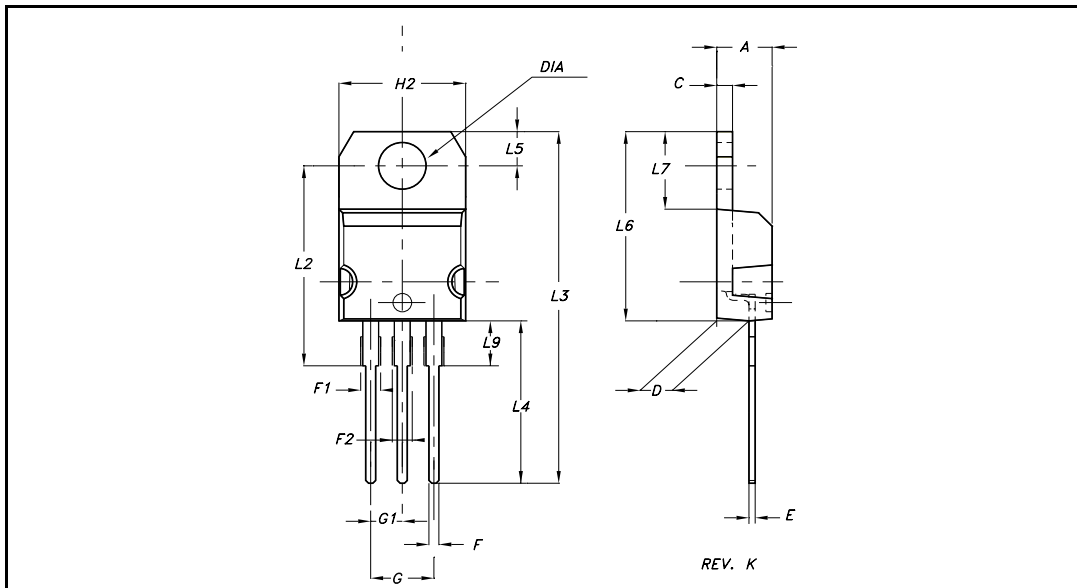


Fig. 5: Test Circuit For Inductive Load Switching And Diode Recovery Times



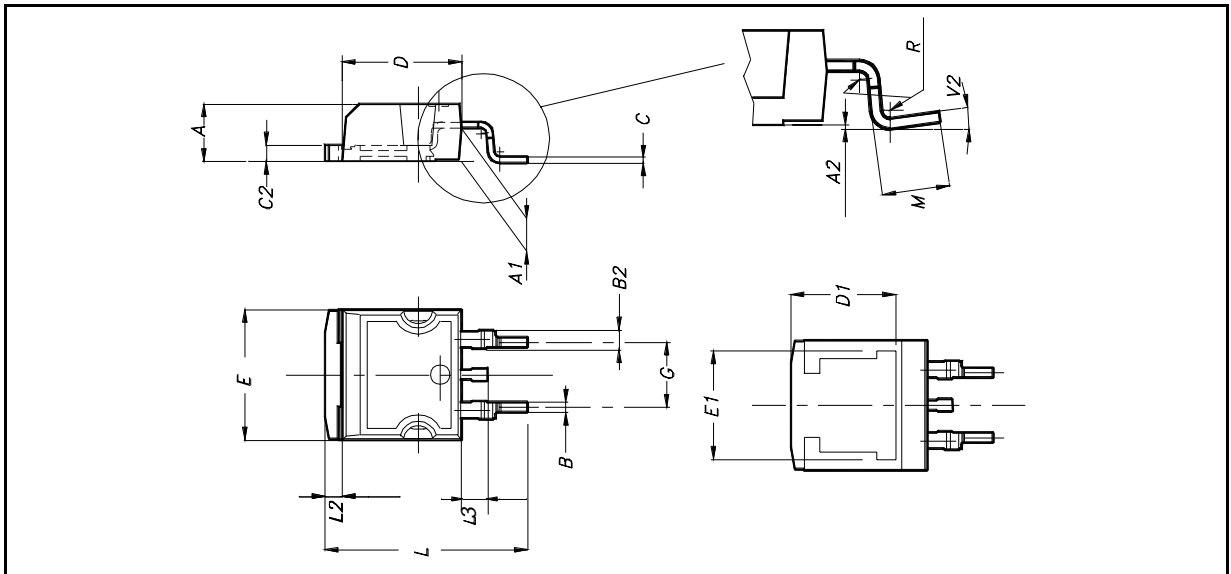
TO-220 MECHANICAL DATA

| DIM. | mm. | | | inch | | |
|------|-------|-------|-------|-------|-------|-------|
| | MIN. | TYP. | MAX. | MIN. | TYP. | MAX. |
| A | 4.40 | | 4.60 | 0.173 | | 0.181 |
| C | 1.23 | | 1.32 | 0.048 | | 0.051 |
| D | 2.40 | | 2.72 | 0.094 | | 0.107 |
| E | 0.49 | | 0.70 | 0.019 | | 0.027 |
| F | 0.61 | | 0.88 | 0.024 | | 0.034 |
| F1 | 1.14 | | 1.70 | 0.044 | | 0.066 |
| F2 | 1.14 | | 1.70 | 0.044 | | 0.066 |
| G | 4.95 | | 5.15 | 0.194 | | 0.202 |
| G1 | 2.40 | | 2.70 | 0.094 | | 0.106 |
| H2 | 10 | | 10.40 | 0.393 | | 0.409 |
| L2 | | 16.40 | | | 0.645 | |
| L3 | | 28.90 | | | 1.137 | |
| L4 | 13 | | 14 | 0.511 | | 0.551 |
| L5 | 2.65 | | 2.95 | 0.104 | | 0.116 |
| L6 | 15.25 | | 15.75 | 0.600 | | 0.620 |
| L7 | 6.20 | | 6.60 | 0.244 | | 0.259 |
| L9 | 3.50 | | 3.93 | 0.137 | | 0.154 |
| DIA | 3.75 | | 3.85 | 0.147 | | 0.151 |



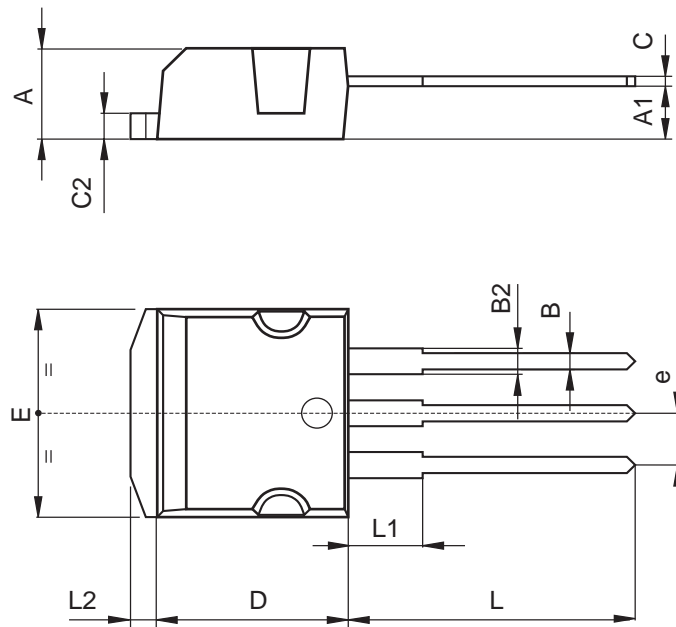
D²PAK MECHANICAL DATA

| DIM. | mm. | | | inch | | |
|------|------|-----|-------|-------|-------|-------|
| | MIN. | TYP | MAX. | MIN. | TYP. | MAX. |
| A | 4.4 | | 4.6 | 0.173 | | 0.181 |
| A1 | 2.49 | | 2.69 | 0.098 | | 0.106 |
| A2 | 0.03 | | 0.23 | 0.001 | | 0.009 |
| B | 0.7 | | 0.93 | 0.027 | | 0.036 |
| B2 | 1.14 | | 1.7 | 0.044 | | 0.067 |
| C | 0.45 | | 0.6 | 0.017 | | 0.023 |
| C2 | 1.23 | | 1.36 | 0.048 | | 0.053 |
| D | 8.95 | | 9.35 | 0.352 | | 0.368 |
| D1 | | 8 | | | 0.315 | |
| E | 10 | | 10.4 | 0.393 | | |
| E1 | | 8.5 | | | 0.334 | |
| G | 4.88 | | 5.28 | 0.192 | | 0.208 |
| L | 15 | | 15.85 | 0.590 | | 0.625 |
| L2 | 1.27 | | 1.4 | 0.050 | | 0.055 |
| L3 | 1.4 | | 1.75 | 0.055 | | 0.068 |
| M | 2.4 | | 3.2 | 0.094 | | 0.126 |
| R | | 0.4 | | | 0.015 | |
| V2 | 0° | | 8° | | | |



TO-262 (I²PAK) MECHANICAL DATA

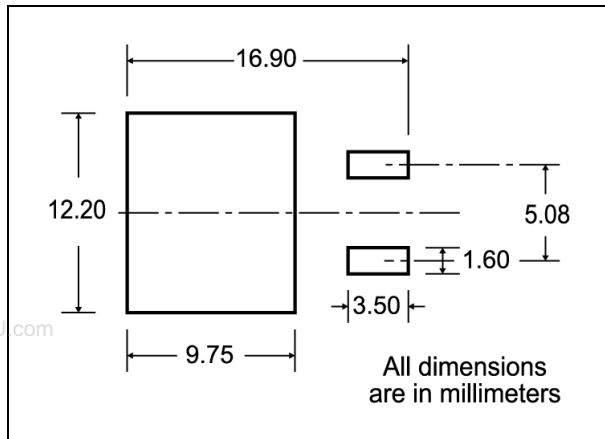
| DIM. | mm | | | inch | | |
|------|------|------|------|-------|------|-------|
| | MIN. | TYP. | MAX. | MIN. | TYP. | MAX. |
| A | 4.4 | | 4.6 | 0.173 | | 0.181 |
| A1 | 2.49 | | 2.69 | 0.098 | | 0.106 |
| B | 0.7 | | 0.93 | 0.027 | | 0.036 |
| B2 | 1.14 | | 1.7 | 0.044 | | 0.067 |
| C | 0.45 | | 0.6 | 0.017 | | 0.023 |
| C2 | 1.23 | | 1.36 | 0.048 | | 0.053 |
| D | 8.95 | | 9.35 | 0.352 | | 0.368 |
| e | 2.4 | | 2.7 | 0.094 | | 0.106 |
| E | 10 | | 10.4 | 0.393 | | 0.409 |
| L | 13.1 | | 13.6 | 0.515 | | 0.531 |
| L1 | 3.48 | | 3.78 | 0.137 | | 0.149 |
| L2 | 1.27 | | 1.4 | 0.050 | | 0.055 |



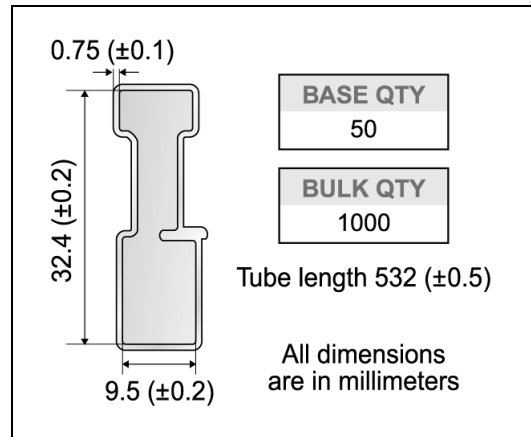
P011P5/E

STP40NF10 - STB40NF10 - STB40NF10-1

D²PAK FOOTPRINT



TUBE SHIPMENT (no suffix)*



TAPE AND REEL SHIPMENT (suffix "T4")*

TAPE MECHANICAL DATA

| DIM. | mm | | inch | |
|------|------|------|--------|--------|
| | MIN. | MAX. | MIN. | MAX. |
| A0 | 10.5 | 10.7 | 0.413 | 0.421 |
| B0 | 15.7 | 15.9 | 0.618 | 0.626 |
| D | 1.5 | 1.6 | 0.059 | 0.063 |
| D1 | 1.59 | 1.61 | 0.062 | 0.063 |
| E | 1.65 | 1.85 | 0.065 | 0.073 |
| F | 11.4 | 11.6 | 0.449 | 0.456 |
| K0 | 4.8 | 5.0 | 0.189 | 0.197 |
| P0 | 3.9 | 4.1 | 0.153 | 0.161 |
| P1 | 11.9 | 12.1 | 0.468 | 0.476 |
| P2 | 1.9 | 2.1 | 0.075 | 0.082 |
| R | 50 | | 1.574 | |
| T | 0.25 | 0.35 | 0.0098 | 0.0137 |
| W | 23.7 | 24.3 | 0.933 | 0.956 |

REEL MECHANICAL DATA

| DIM. | mm | | inch | |
|------|------|------|-------|--------|
| | MIN. | MAX. | MIN. | MAX. |
| A | | 330 | | 12.992 |
| B | 1.5 | | 0.059 | |
| C | 12.8 | 13.2 | 0.504 | 0.520 |
| D | 20.2 | | 0.795 | |
| G | 24.4 | 26.4 | 0.960 | 1.039 |
| N | 100 | | 3.937 | |
| T | | 30.4 | | 1.197 |

| BASE QTY | BULK QTY |
|----------|----------|
| 1000 | 1000 |

TRL

* on sales type



Information furnished is believed to be accurate and reliable. However, STMicroelectronics assumes no responsibility for the consequences of use of such information nor for any infringement of patents or other rights of third parties which may result from its use. No license is granted by implication or otherwise under any patent or patent rights of STMicroelectronics. Specifications mentioned in this publication are subject to change without notice. This publication supersedes and replaces all information previously supplied. STMicroelectronics products are not authorized for use as critical components in life support devices or systems without express written approval of STMicroelectronics.

© The ST logo is a registered trademark of STMicroelectronics

© 2002 STMicroelectronics - Printed in Italy - All Rights Reserved
STMicroelectronics GROUP OF COMPANIES

Australia - Brazil - Canada - China - Finland - France - Germany - Hong Kong - India - Israel - Italy - Japan - Malaysia - Malta - Morocco
Singapore - Spain - Sweden - Switzerland - United Kingdom - United States.

© <http://www.st.com>