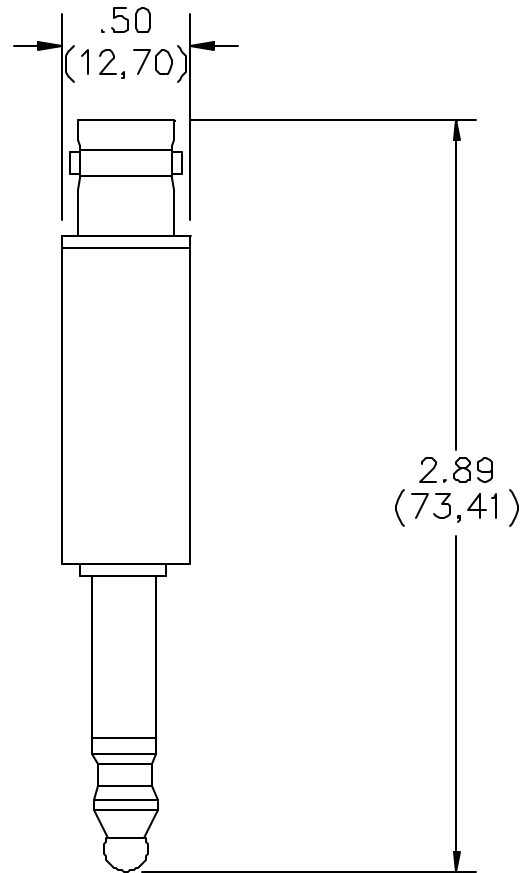


**Model 1794  
BNC Female To  
WE-309 Phone Plug**



**FEATURES:**

- Permits BNC male to be used with equipment having three circuit phone jacks.
- Readily adapts equipment to available BNC coaxial cable.
- Tip connected to inner contact of connector and ring connected to shell.
- Sleeve, no connection.

**MATERIALS:**

Upper Conn: BNC Female

Finish: Body – Tarnish Resistant.

Center Contact – Gold plated Beryllium Copper per MIL-C-39012

Marking: “026-001-008”

Insulation: ABS molded to BNC Female and Phone Plug.

Color: Black

Marking: “POMONA ELECTRONICS MODEL 1794”

Lower Conn: Phone Plug PJ-068

Brass (Equivalent to WE-309)

**RATINGS:**

Operating Temperature: +50°C (+122°F) Max.

Operating Voltage: 500 V Peak

**ORDERING INFORMATION:** Model 1794

All dimensions are in inches. Tolerances (except noted): .xx = ±.02” (.51 mm), .xxx = ± .005” (.127 mm). All specifications are to the latest revisions. Specifications are subject to change without notice. Registered trademarks are the property of their respective companies.

Made in USA

**Sales: 800-490-2361 Fax: 888-403-3360**  
**Technical Assistance: 800-241-2060**