

Specifications

Insulation Resistance: 1,000MΩ min. at 500 V DC
 Withstanding Voltage: 700 V AC for 1 minute
 Contact Resistance: 20mΩ max. at 10mA / 20m V
 Soldering Specifications: 215°C VPS for 2 minutes max.
 200°C ~ 250°C IR for 1 minute max.
 Mating Cycles: 20 insertions

Materials and Finish

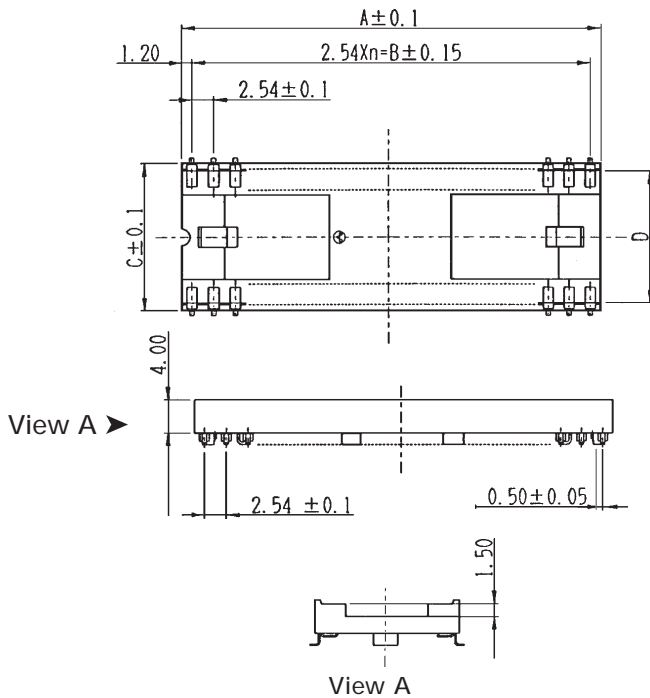
Housing: Polyphenylenesulphide (PPS), UL94V-0
 Contact: Phosphor Bronze Tin-lead Plating

Features

- ⇨ DIL socket with SMT type terminals
- ⇨ Outstanding contacts for easy VPS and flux removal

Applicable Dimensions (Reference Only)

Outline Socket Dimensions



Part Number (Details)

IC136 - 32 06 - S 6 *

Series No.

No. of Contact Pins

Row Space 06 = 0.6 inch

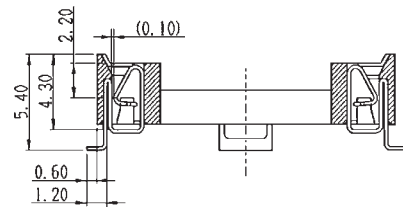
Plating of Contact S = Tin Lead

Terminal Style

Unmarked: With Tab (additional solder clip)

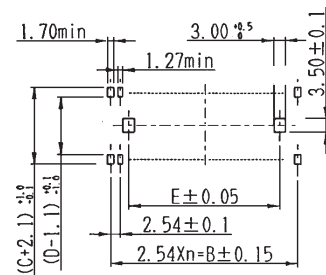
B: Without Tab

Contact Position Detail



Recommended PCB Layout

Top View from Socket



Part Number	Pin Count	A	B	C	D	E
IC136-1603-S6	16	20.18	17.78	10.02	8.22	8.28
IC136-1603-S6B	16	20.18	17.78	10.02	8.22	-
IC136-2403-S6	24	30.34	27.94	10.02	8.22	18.44
IC136-2403-S6B	24	30.34	27.94	10.02	8.22	-
IC136-2806-S6	28	35.42	33.02	17.64	15.84	23.52
IC136-2806-S6B	28	35.42	33.02	17.64	15.84	-
IC136-3206-S6	32	40.50	38.10	17.64	15.84	28.60
IC136-3206-S6B	32	40.50	38.10	17.64	15.84	-
IC136-4006-S6	40	50.66	48.26	17.64	15.84	38.76
IC136-4006-S6B	40	50.66	48.26	17.64	15.84	-