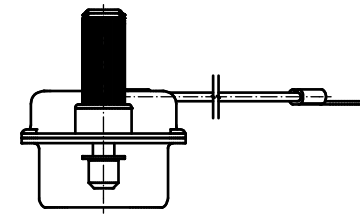
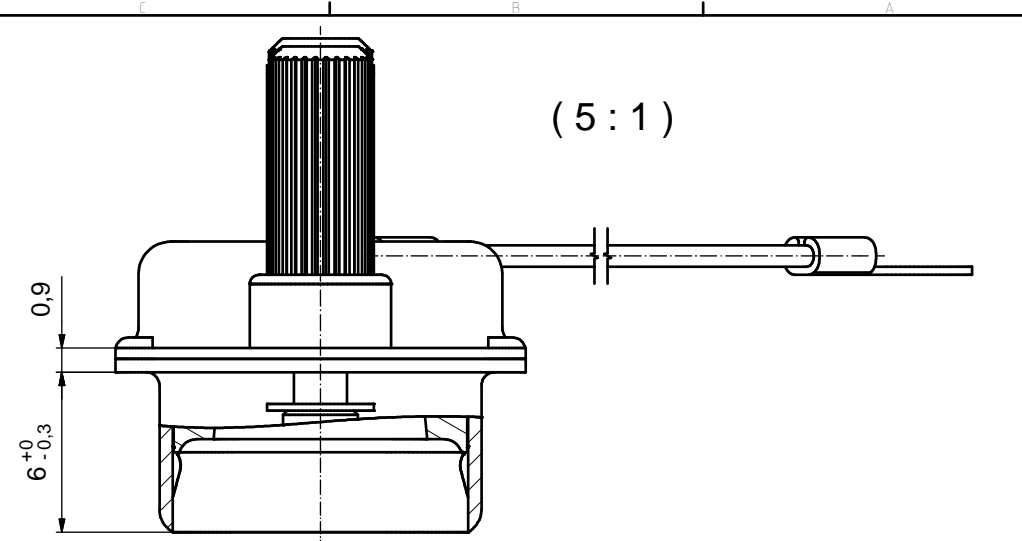


Part. No. for socket connector	
UNC 4-40	M3
15-000050	15-000100



NOTES:

1. METALSHELLS: COPPER ALLOY; min. 315µin TIN over 40-80µin NICKEL
2. TPE ETHYLENE PROPYLENE THERMOPLASTIC RUBBER SEAL
3. IP RATING: THE WATER RESISTANT CAP MUST BE MOUNTED PROPERLY TO THE MATING CONNECTOR FOR IP 67
4. THREADED INSERT: COPPER ALLOY; min. 200µin TIN over 80µin NICKEL
5. COLLAR: COPPER ALLOY; min. 200µin TIN over 80µin NICKEL
6. JACKSCREW: STAINLESS STEEL 1.4305
7. WIRE ROPE: STAINLESS STEEL 1.4401
8. RETAINING WASHER: STAINLESS STEEL 1.4122
9. TERMINAL RING: UNINSULATED, COPPER ALLOY; min. 200µinTIN over 80µin NICKEL
10. MAXIMUM TORQUE VALUE FOR THREAD: 6in.LB
11. CONNECTOR IS PART MARKED: [PART NO. CONEC ABC]

Directive 2002/95/EC
"RoHS"
Compliant

THIS DRAWING MAY NOT BE COPIED OR REPRODUCED IN ANY WAY, AND MAY NOT BE PASSED ON TO A THIRD PARTY WITHOUT WRITTEN PERMISSION. OWNERSHIP AND COPYRIGHT OF CONEC GmbH DO NOT ALTER CAD DRAWING BY HAND	tolerance	ISO 2768-m					scale:	2:1 (5:1)	
							material:	SEE NOTES	
		date	23.05.08	name	Petker	title:			
		appd.	26.05.08		Fischer	WATER RESISTANT SCREEN CAP			
	norm				50pos. FOR SOCKET CONNECTOR				
	d-old				with threaded insert, jackscrew and wire rope				
					dwg no:	Inventor 10		DIN-A3	
	a	Origin			15K1A224			sh: 1	
	rev.	description	date	name	CONEC ®			part no:	
					see table				