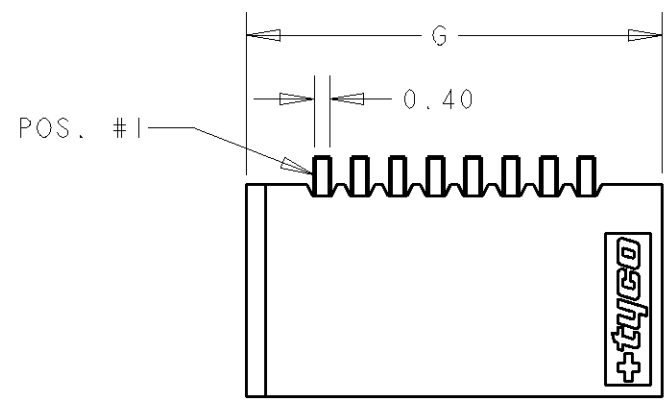
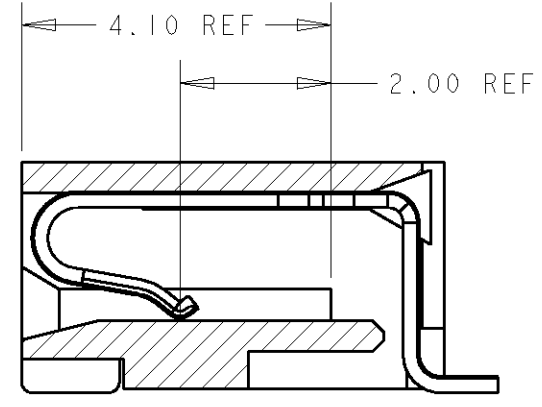
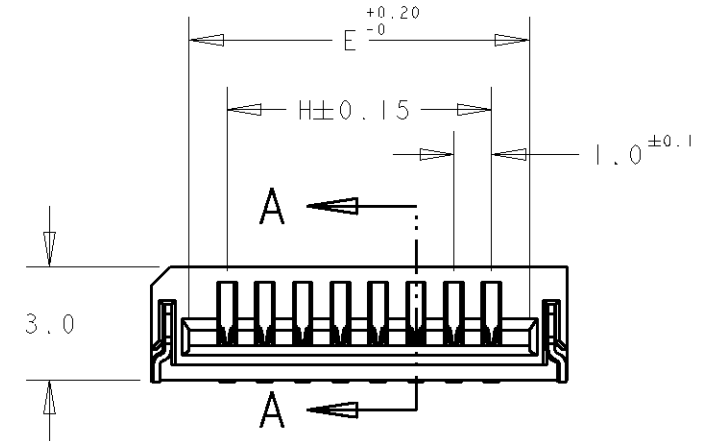


THIS DRAWING IS UNPUBLISHED. RELEASED FOR PUBLICATION .19
 © COPYRIGHT 19 BY AMP INCORPORATED. ALL RIGHTS RESERVED.

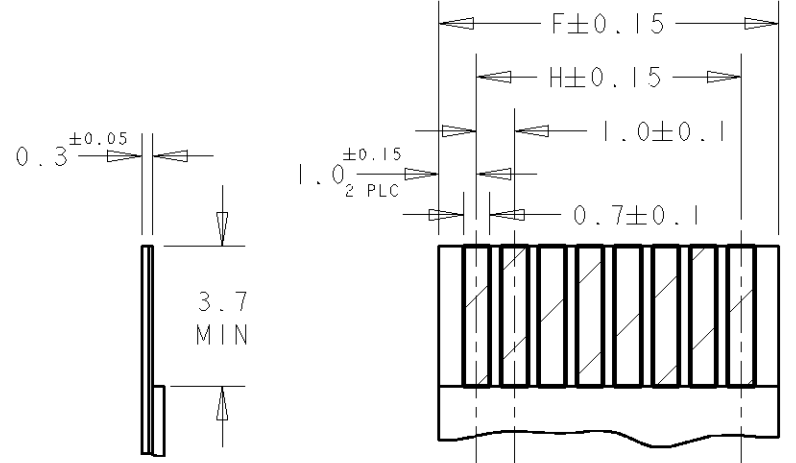
LOC	DIST	REVISIONS			
P	LTR	DESCRIPTION	DATE	DWN	APVD
	E	REVISED ECR-07-001592	22JAN07	GKT	LSF
	E1	REVISED PER ECO-10-000444	08JAN10	KK	AEG



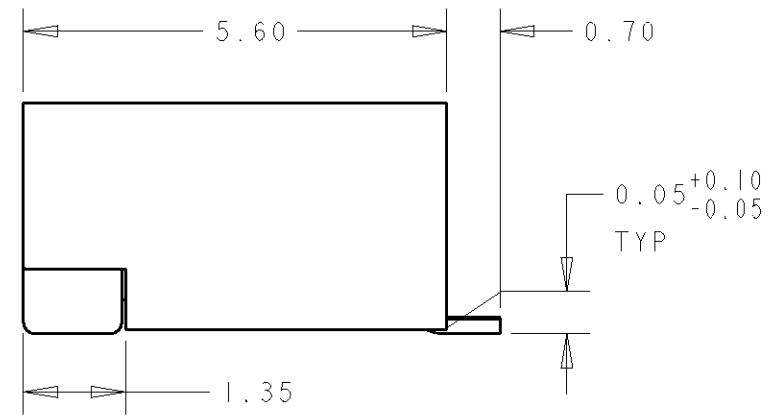
NOTES:
 1 MATERIAL: HOUSING: GLASS FILLED HIGH TEMP NYLON, NATURAL COLOR (BEIGE)
 CONTACT: PHOSPHOR BRONZE
 SOLDER PEG: BRASS
 2 FINISH: MATTE TIN OVER NICKEL UNDERPLATE
 3. PACKAGING: TAPE & REEL (PACKAGING SPEC: 107-51189)
 4 OBSOLETE PARTS: OBSOLETE CIS STREAMLINING PER D.RENAUD/D.SINISI



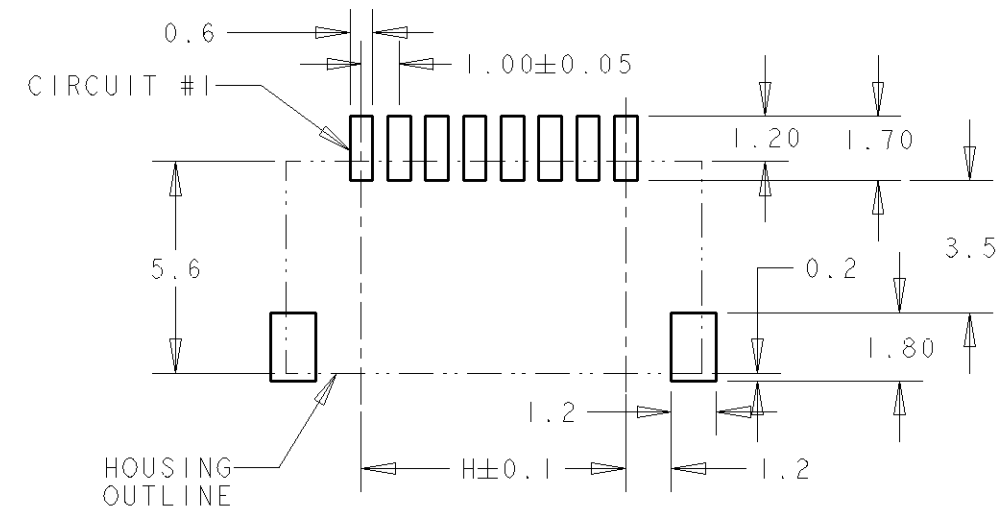
SECTION A - A
SCALE 10:1



RECOMMENDED FFC/FPC



SCALE 10:1



RECOMMENDED PCB LAYOUT
(NON-ACCUMULATIVE TOLERANCE)

STATUS	H	G	F	E	POS.	PART NO.
OBSOLETE						4-84981-0
OBSOLETE						3-84981-9
OBSOLETE						3-84981-8
OBSOLETE						3-84981-7
OBSOLETE						3-84981-6
OBSOLETE						3-84981-5
OBSOLETE						3-84981-4
OBSOLETE						3-84981-3
OBSOLETE						3-84981-2
OBSOLETE						3-84981-1
ACTIVE						3-84981-0
OBSOLETE						2-84981-9
OBSOLETE						2-84981-8
OBSOLETE						2-84981-7
OBSOLETE						2-84981-6
OBSOLETE						2-84981-5
OBSOLETE						2-84981-4
OBSOLETE						2-84981-3
OBSOLETE						2-84981-2
OBSOLETE						2-84981-1
ACTIVE						2-84981-0
OBSOLETE						1-84981-9
OBSOLETE						1-84981-8
OBSOLETE						1-84981-7
OBSOLETE						1-84981-6
OBSOLETE						1-84981-5
OBSOLETE						1-84981-4
OBSOLETE						1-84981-3
OBSOLETE						1-84981-2
OBSOLETE						1-84981-1
OBSOLETE						1-84981-0
OBSOLETE						84981-9
OBSOLETE						84981-8
OBSOLETE						84981-7
OBSOLETE						84981-6
OBSOLETE						84981-5
OBSOLETE						84981-4

THIS DRAWING IS A CONTROLLED DOCUMENT FOR AMP INCORPORATED. IT IS SUBJECT TO CHANGE AND THE CONTROLLING ENGINEERING ORGANIZATION SHOULD BE CONTACTED FOR THE LATEST REVISION.		DWN WYLEE 10JUN04	Tyco Electronics Singapore Pte. Ltd.	
DIMENSIONS: mm		CHK LP TAN	NAME ASSY, 1.00mm FFC CONN SMT, H, (NON-ZIF)	
TOLERANCES UNLESS OTHERWISE SPECIFIED:		APVD SF LEONG	DRAWING NO C-84981	
0 PLC ±0.30 1 PLC ±0.30 2 PLC ±0.30 3 PLC ± 4 PLC ± ANGLES ±3°		PRODUCT SPEC 108-51054	SIZE A3	CAGE CODE 00779
MATERIAL 1		APPLICATION SPEC -	DRAWING NO C-84981	SCALE 5:1
FINISH 2		WEIGHT -	SHEET 1	OF 1
CUSTOMER DRAWING		REV E1		