

SP2T

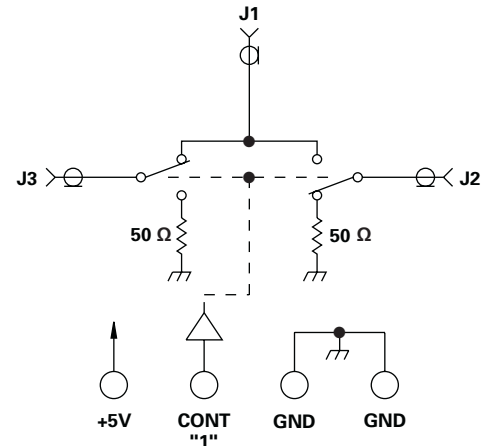
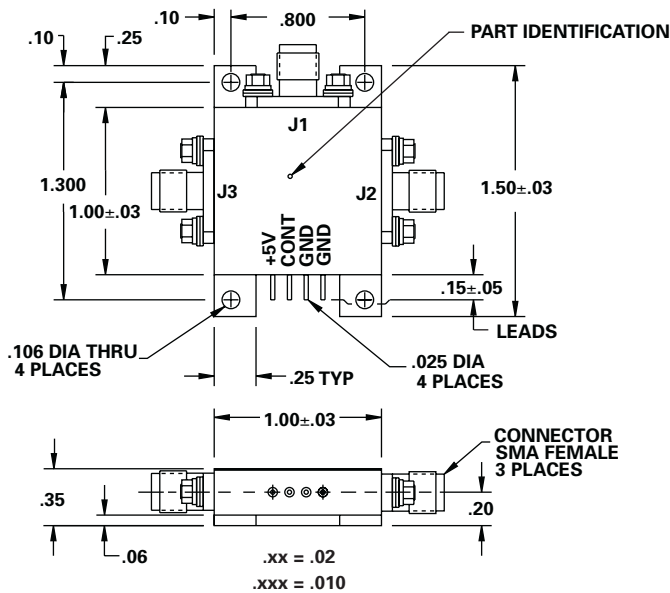
## FEATURES

- 300 - 3000 MHz
- 80 dB Isolation up to 1 GHz
- 70 dB Isolation up to 2 GHz
- TTL Driver
- Non-Reflective
- Replaceable SMA Connectors



**MODEL NO.  
CDS0667**

**PIN Diode SP2T**



## GUARANTEED PERFORMANCE

Parameter	Min	Typ	Max	Units	Conditions
Operating Frequency	300		3000	MHz	
DC Current		12	20	mA	At +5 VDC Supply
Control Type		TTL			1 Line Logic "0" = J1 - J2 Logic "1" = J1 - J3
Control Current	High Low	1 1	±10 ±10	μA	V <sub>IH</sub> = +2.7V V <sub>IL</sub> = +0.5V
Insertion Loss Flatness		1.3 ±0.15	2.0 ±0.25	dB	700 - 2000 MHz
Isolation	70 60 50	80 70 60		dB	300 - 1000 MHz 1000 - 2000 MHz 2000 - 3000 MHz
VSWR	Thru Termination	1.2/1 1.2/1	1.5/1 1.5/1		
Impedance		50		OHMS	
Switching Speed		300	500	nSEC	50% TTL to 90% / 10% RF
Transition (Rise/Fall) Time		130	300	nSEC	90% / 10% or 10% / 90% RF
Switching (Video) Transients		140		mV	Peak Value
Intercept Points	2nd 3rd	+50 +30	+80 +38	dBm	275 MHz / 475 MHz 200 MHz / 500 MHz
RF Power	Operate No Damage	+20	+15 +27	dBm	0.1 dB Compression
Operating Temperature		-55	+25	+125	°C TA

