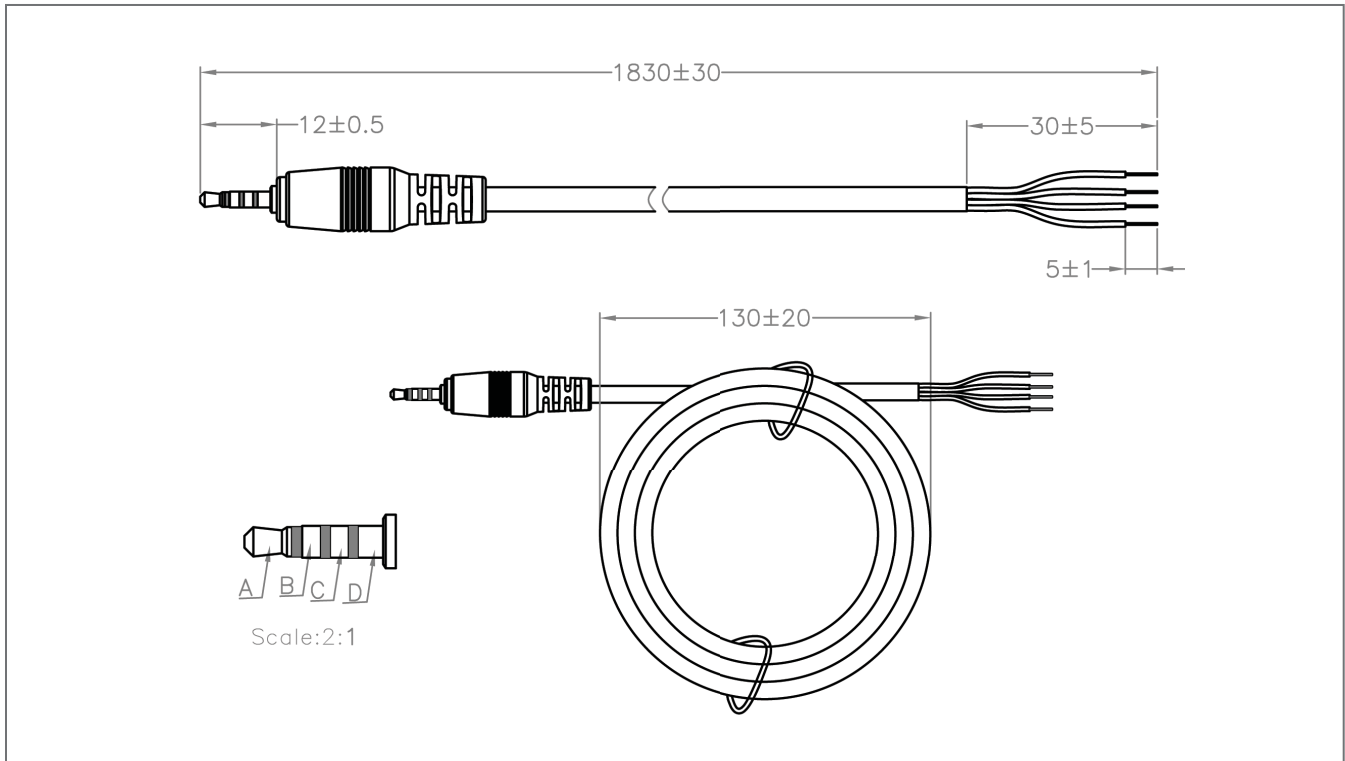


### Specifications:

cable description	4 conductor (red, yellow, green, black ), 0.16x7, aluminum foil shield (0.2x7)
receptacle overmold	black PVC
cable outer diameter	3.7
cable material	non UL 60P
cable color	black
cable gauge	AWG #26
cable length	1830
plug description	P/N 50-00007
twist tie	14 cm black
max voltage	300 V/S 0.5mA
max current	2 A

Notes: RoHS compliant

### Mechanical drawing:



### Wiring diagram:

A	Red Wire
B	Black Wire
C	Yellow Wire
D	Green Wire

tolerance .X:  $\pm 0.5$  mm .XX:  $\pm 0.2$  mm

**Revision notes:**

Rev	Date	Description
A	January 19, 2009	Re-issue. Original specification issued by CUI; re-issued by Tensility without any material or mechanical changes.
A1	May 11, 2009	added Tensility P/N 50-00007 to specification