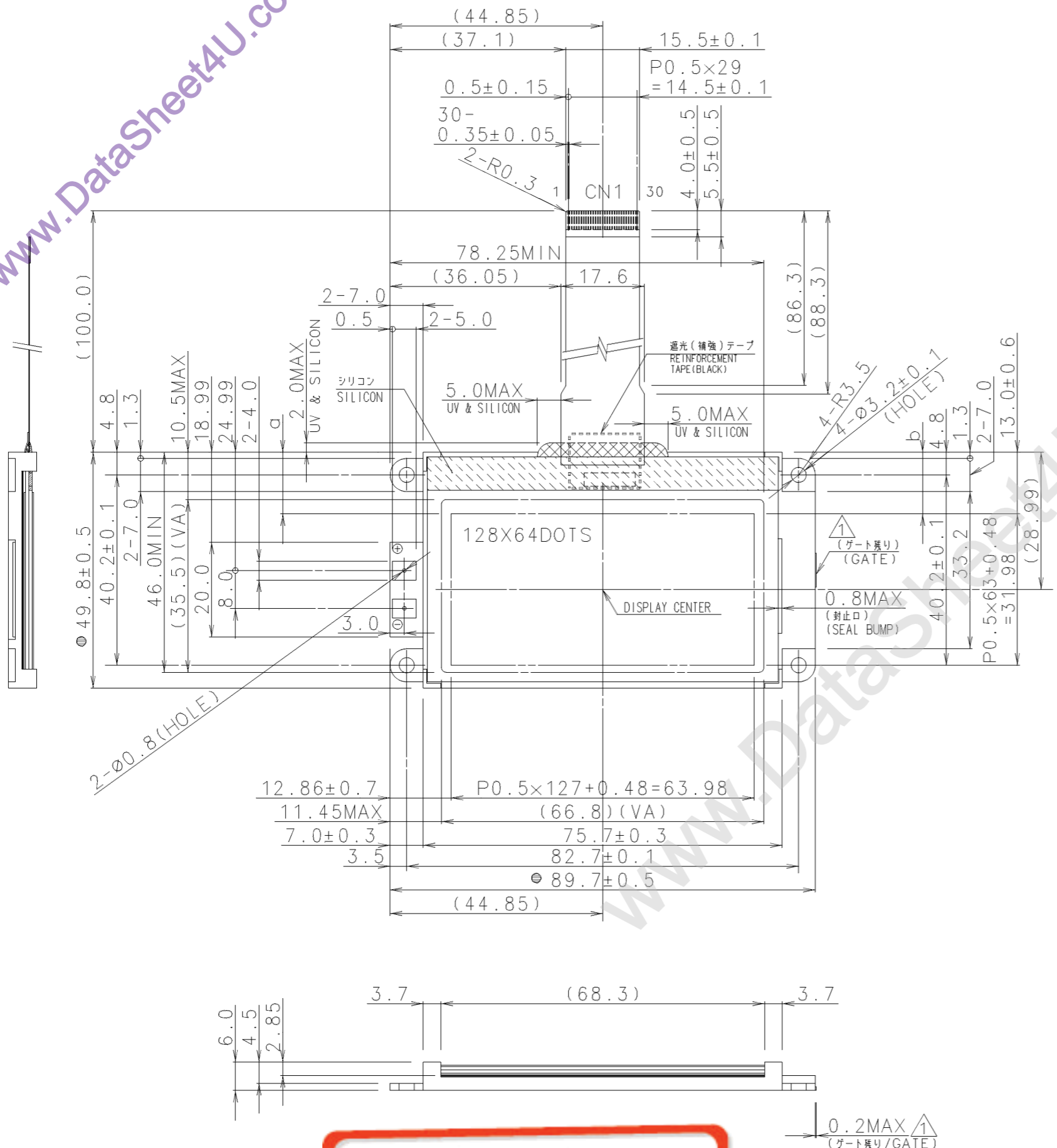
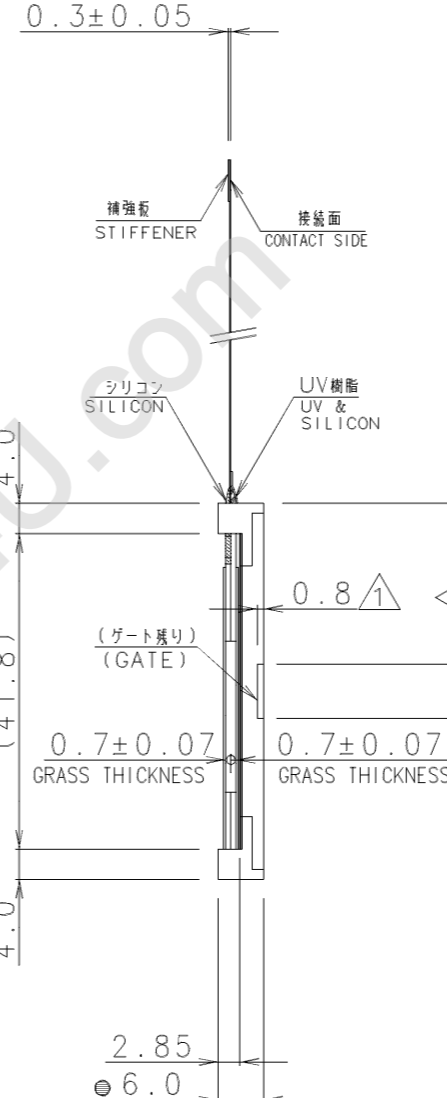


ISSUE	REVISIONS	DRAWN	APPROVED	DATE
1	ADDITION OF GATE POSITION.	K. MURAKAMI	S. Kobayashi	JUN '01

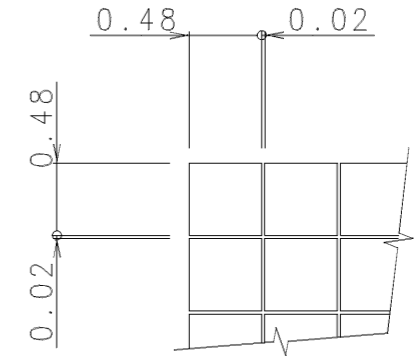


CN1 PIN ASSIGNMENT

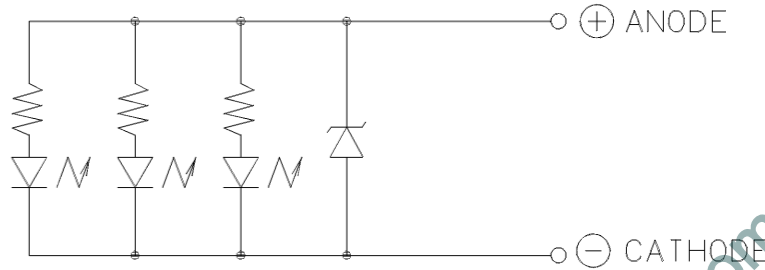
No.	SYMBOL	No.	SYMBOL	No.	SYMBOL
1	NC	11	D4	21	CAP2-
2	/CS1	12	D5	22	CAP2+
3	/RES	13	D6	23	V1
4	A0	14	D7	24	V2
5	/WR	15	VDD	25	V3
6	/RD	16	GND	26	V4
7	D0	17	VOUT	27	V5
8	D1	18	CAP3-	28	VR
9	D2	19	CAP1+	29	C86
10	D3	20	CAP1-	30	IRS



DOTS DETAIL (20:1)



CIRCUIT DIAGRAM



注記 NOTES  
 1. 表示傾き: |a-b| ≤ 0.5 (DISPLAY SKEW)  
 2. ●印の付いた寸法, 仕様は管理特性の指示を示す。  
 THE DIMENSIONS WITH THE MARK (●) ARE CONTROLLED AS A PARTICULAR CHARACTERISTIC

液晶之友 电话: 020-33819057  
 Http://www.lcdfriends.com

TOLERANCE			THIRD ANGLE PROJECTION	DATE MAY.21'01	OPTREX CORPORATION
MEASURE	A	B			
L ≤ 16	±0.1	±0.3	±1	UNIT mm	APPROVED S.Kobayashi
16 < L ≤ 63	±0.2	±0.5	±1.5	SCALE 1:1	CHECKED M.Kinoshita
63 < L ≤ 250	±0.3	±0.8	±2		DRAWN K.MURAKAMI
250 < L ≤ 500	±0.5	±1.2	±3		
500 < L	±0.8	±2	±4		
ANGLE	±1°	±5°	±10°		

TITLE: DIMENSIONAL OUTLINE  
 CODE: F51320GNB-LW-AB  
 DWG NO: UE-310595 A