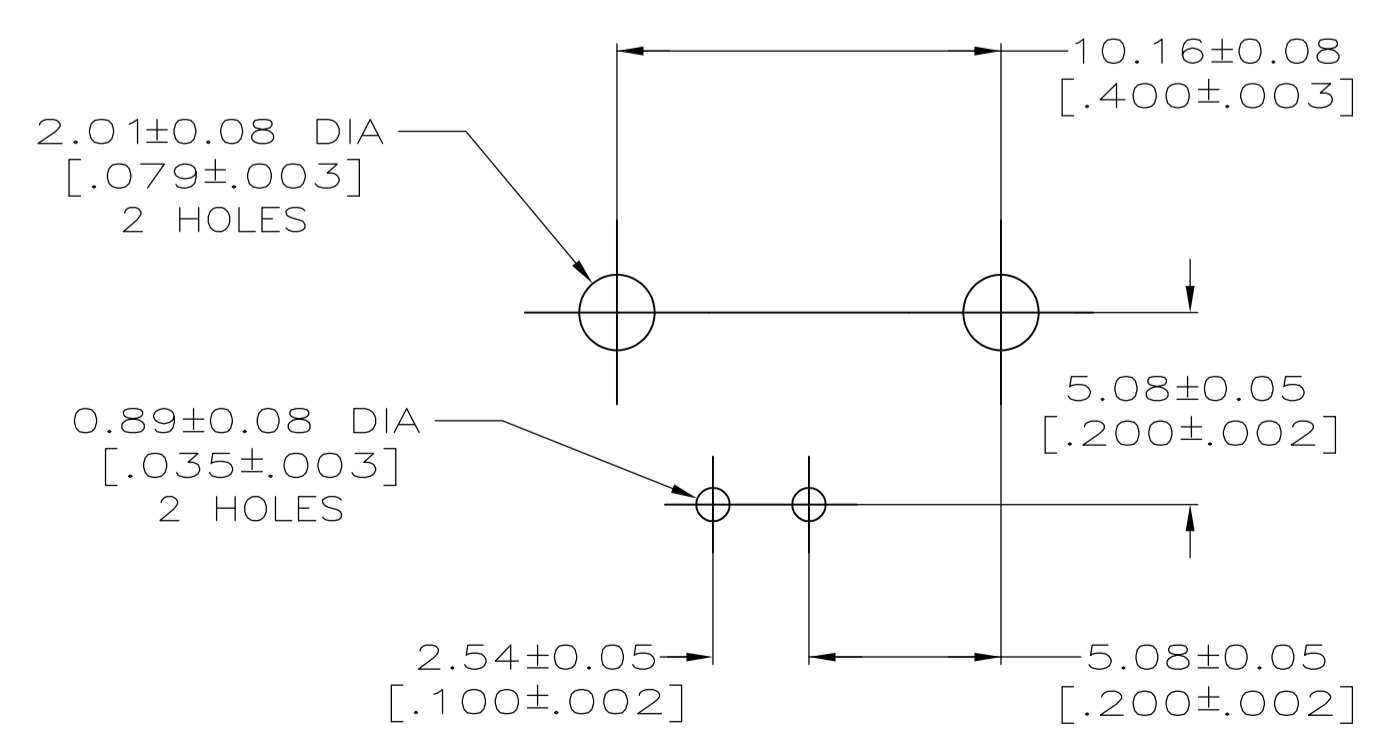
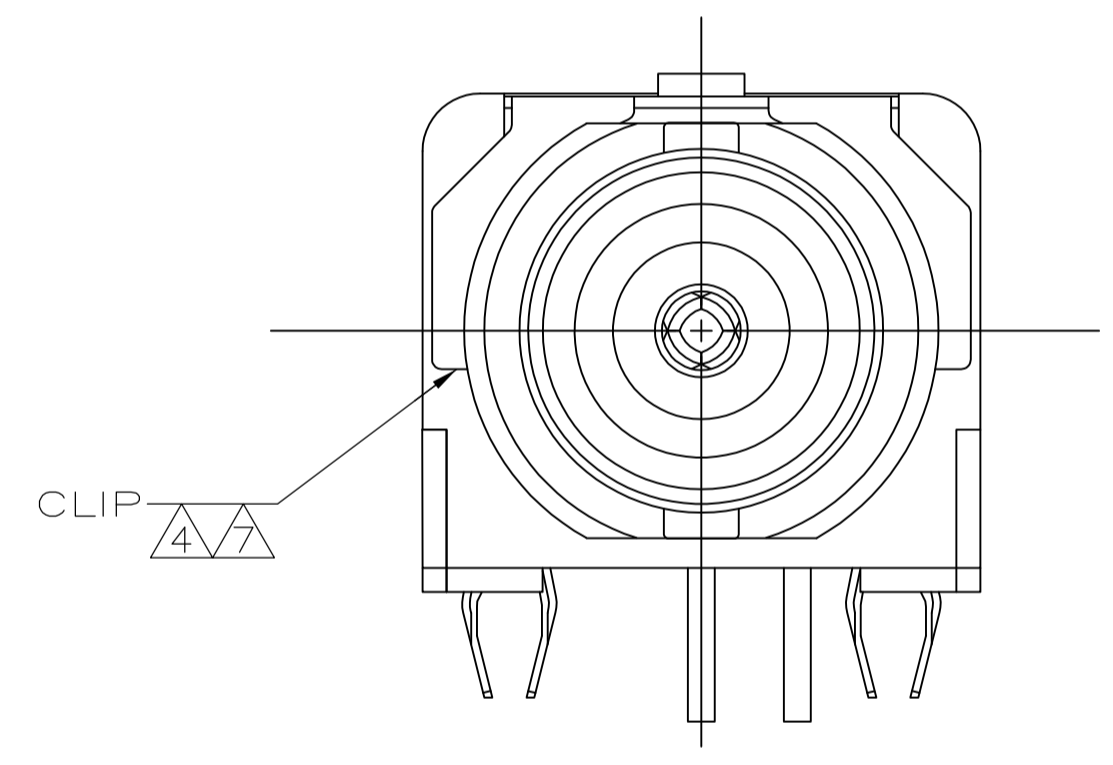
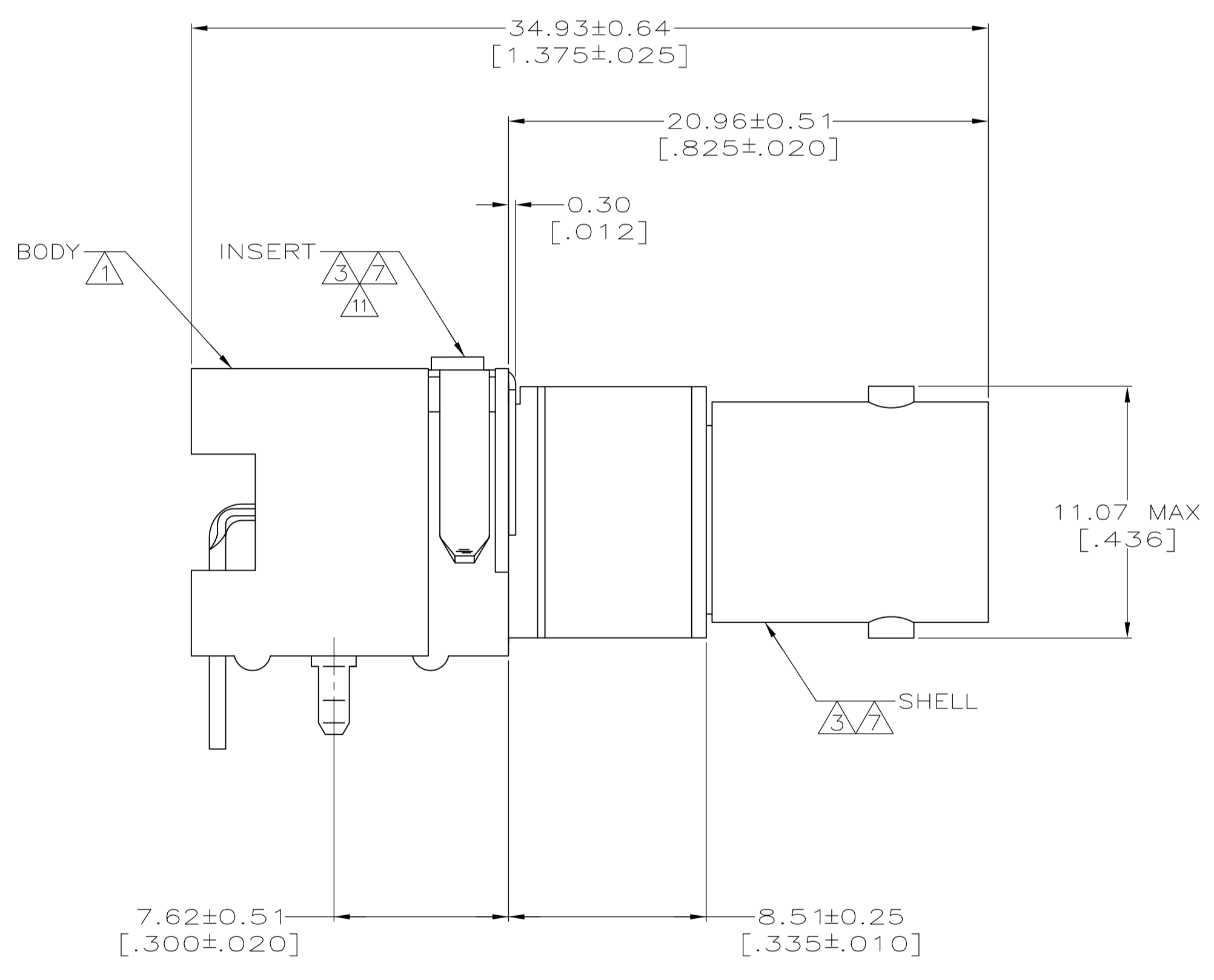
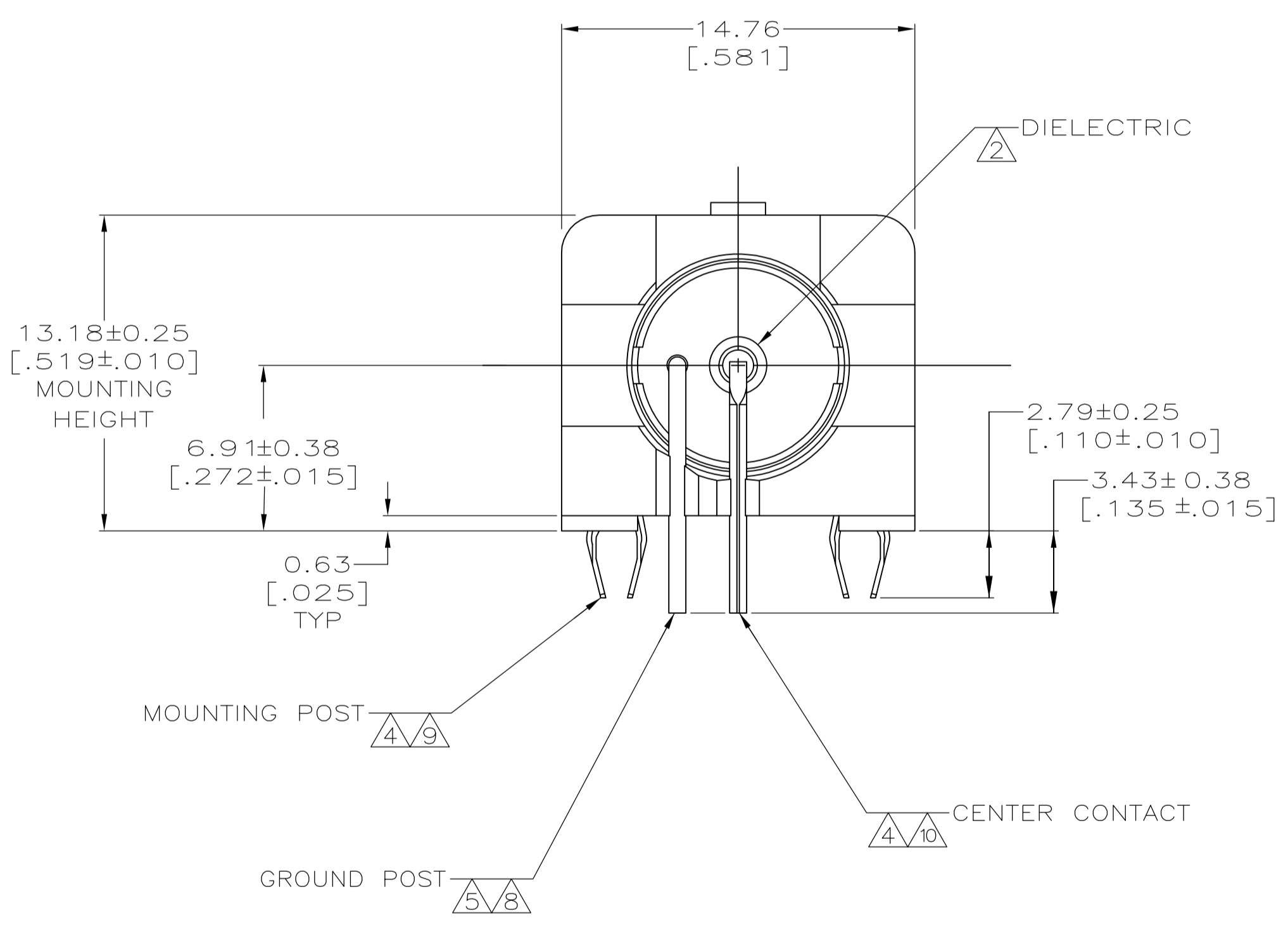
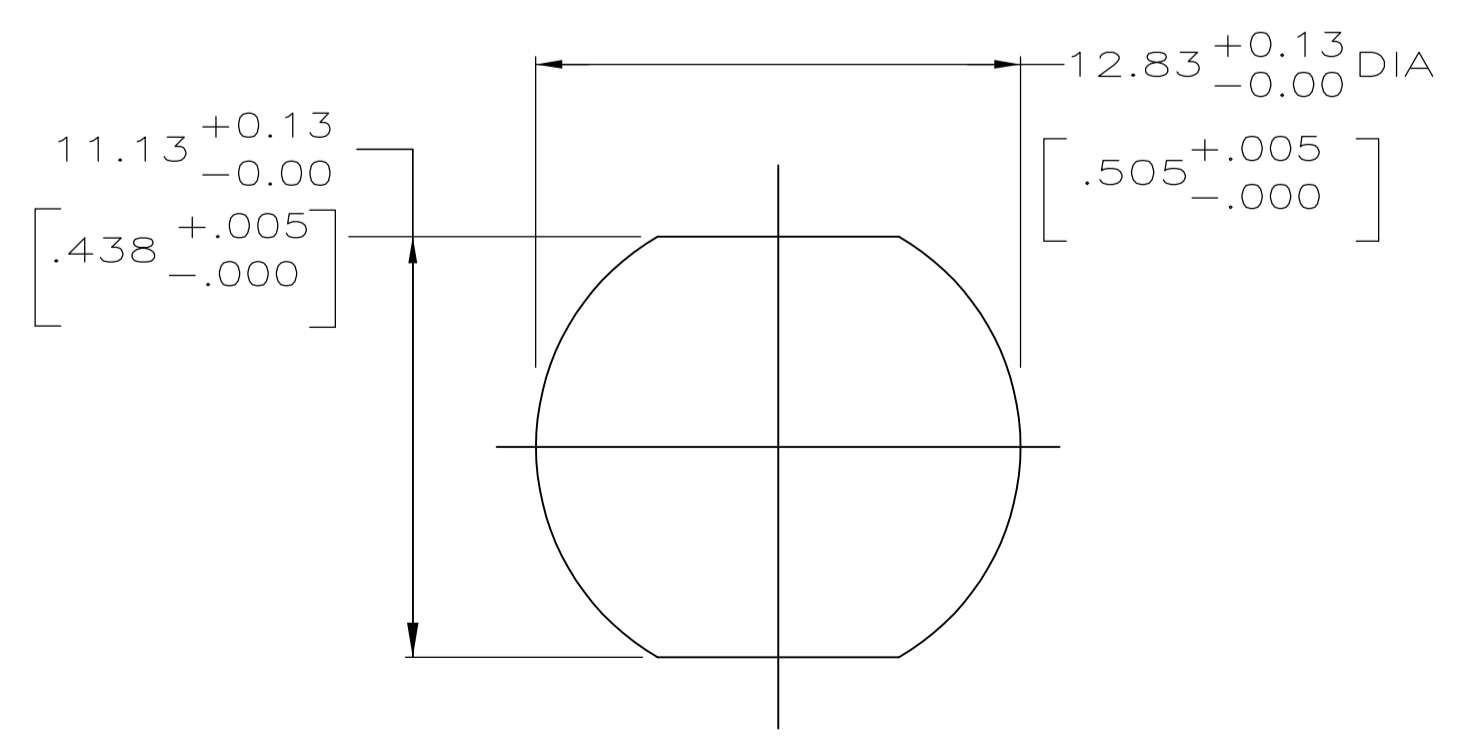


- 1 POLYESTER, PBT, BLACK, PER MIL-M-24519.
- 2 POLYMETHYLPENTENE GENERAL PURPOSE.
- 3 ZINC PER QQ-Z-363.
- 4 PHOSPHOR BRONZE PER QQ-B-750.
- 5 BRASS PER QQ-B-626.
- 6 BRASS PER ASTM-B-453.
- 7 NICKEL PL PER QQ-N-290.
- 8 TIN PLATE PER ASTM-B-545.
- 9 TIN PLATE PER ASTM-B-545.
- 10 SELECTIVELY GOLD PLATED ON INTERFACE AREA PER MIL-G-45204, 0.76 [.00030] THK, TIN PLATED ON SOLDER TAIL PER ASTM-B-545, ALL OVER NICKEL PL PER QQ-N-290.
- 11 ESD DEVICE, VOLTAGE BREAKDOWN <3.5KVDC.



PCB CONFIGURATION



RECOMMENDED PANEL CUTOUT

9400 pf, 1500 VDC	415216-1
CAPACITANCE AND VOLTAGE	PART NO

THIS DRAWING IS A CONTROLLED DOCUMENT.		DIN J. LIPPERT 10-31-95		Tyco Electronics Corporation Harrisburg, PA 17105-3608	
DIMENSIONS: INCHES		TOLERANCES UNLESS OTHERWISE SPECIFIED:		APVD M. TOMCHAK 10-31-95	
0. PLC ± -		1. PLC ± -		NAME M. TOMCHAK	
1. PLC ± -		2. PLC ± 0.20 [.008]		PRODUCT SPEC 108-1269	
2. PLC ± -		3. PLC ± -		APPLICATION SPEC	
3. PLC ± -		4. PLC ± -		SIZE CAGE CODE DRAWING NO	
4. PLC ± -		ANGLES ± -		A1 00779 C=415216	
MATERIAL SEE NOTES 1 - 6		FINISH SEE NOTES 7,8,9,10		WEIGHT	
CUSTOMER DRAWING		SCALE 5:1		SHEET 1 OF 1	