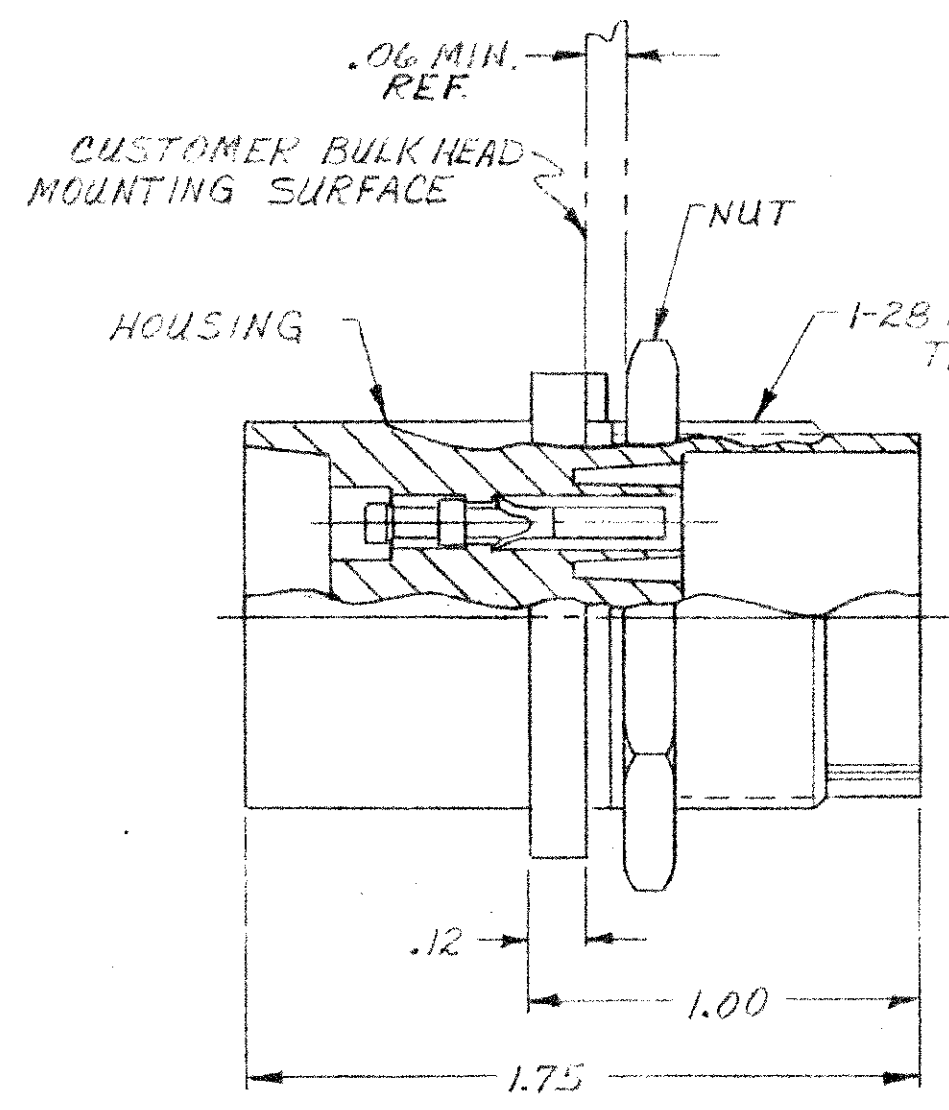


© 1972 BY AMP INCORPORATED. ALL RIGHTS RESERVED. AMP PRODUCTS COVERED BY PATENTS AND/OR PATENTS PENDING.

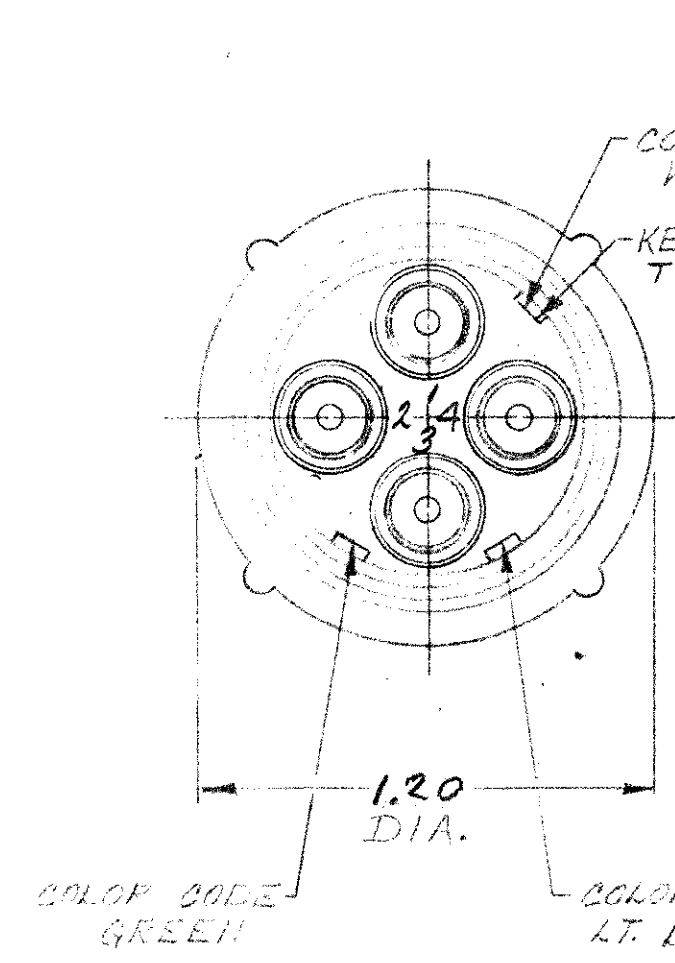
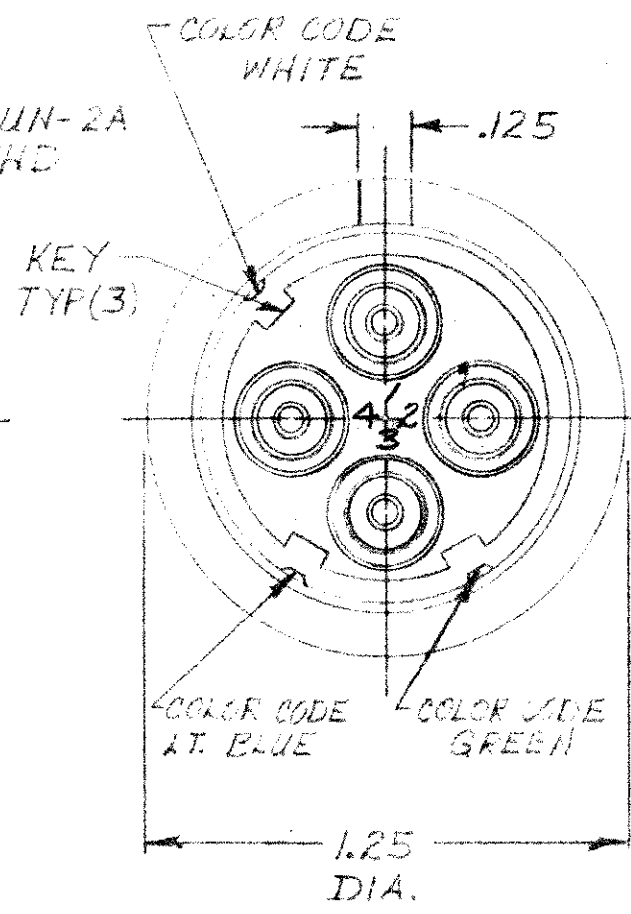
THIS PRODUCT DESIGNED AND BUILT BY AMP INCORPORATED. NO LICENSE TO USE THAT DESIGN IN MANUFACTURE, OR TO USE ANY ISSUED OR PENDING PATENTS WHICH ARE INVOLVED, IS IMPLIED.

REVISIONS				
ZONE	LTR	DESCRIPTION	DATE	APPROVED
A		REV. NOTES ADDED -2	11/18/74	M.S.
B		ADDED -3	2-26-76 DS	M.S.
C		ADDED -4, -5, -6	6-30-77 DS	M.S.
D		OBSOLETE -3 THRU -6	11-5-86 ECN S3615	R.S.
E		REV PER 0414-120-04	10-04	CT

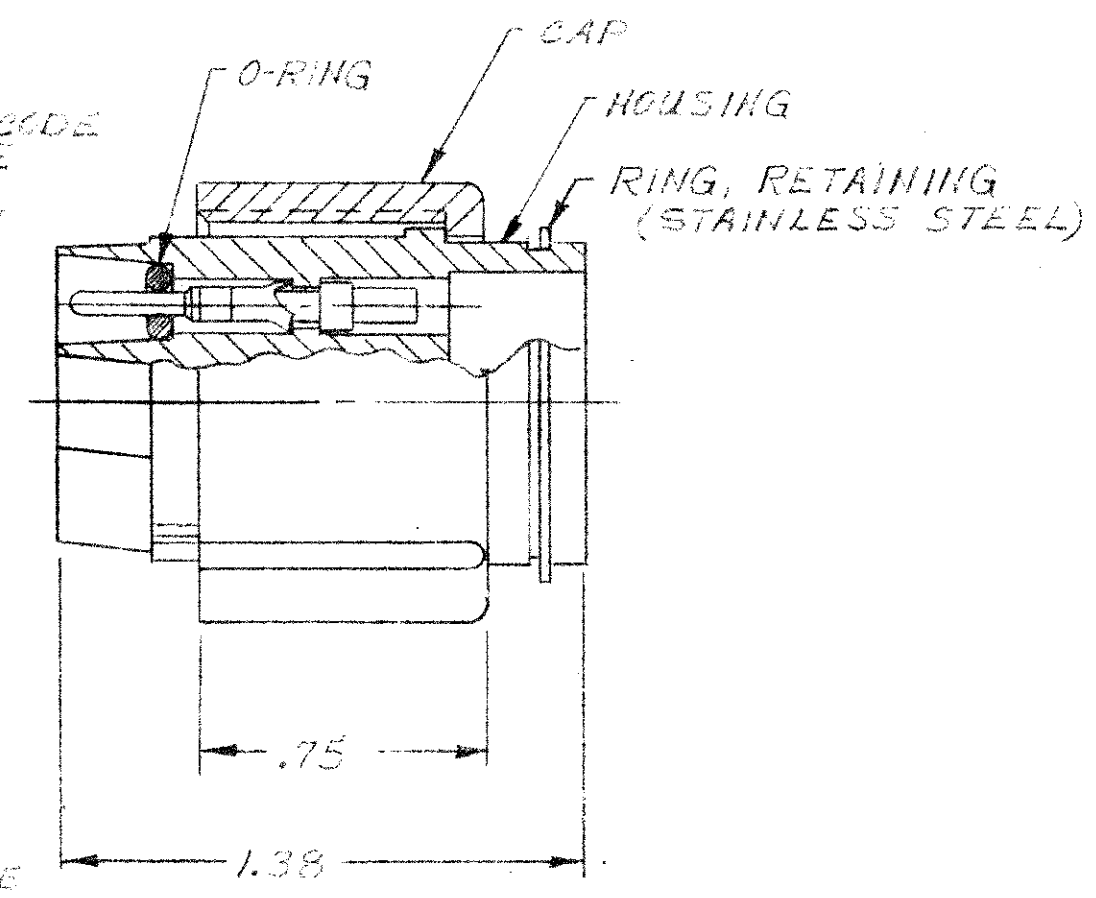
Unpublished copy not to be reproduced without written permission of AMP INCORPORATED



RECEPTACLE



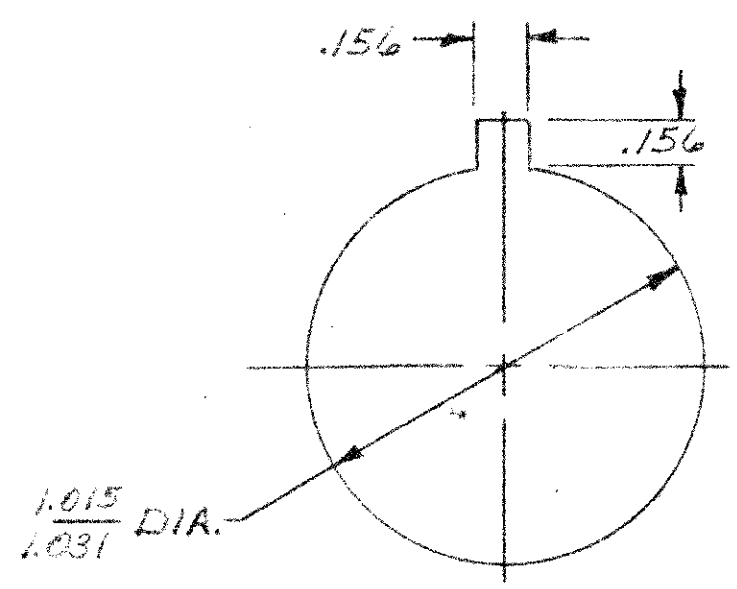
PLUG



AMP P/N	RECEPTACLE	PLUG	WIRE SIZE RANGE	HAND TOOL	COLOR CODING
860286-1	859526-1	860265-1	20, 22, 24	45099	YES
860286-2	859526-2	860265-2	18, 16	45098	YES
860286-3	859526-3	860265-3	14	45098	YES
860286-4	859526-4	860265-4	20, 22, 24	45099	NO
860286-5	859526-5	860265-5	16, 18	45098	NO
860286-6	859526-6	860265-6	14	45098	NO

OBSOLETE

NOTE:  
 1. PINS & SOCKETS SUPPLIED SEPARATELY IN PLASTIC BAG.  
 2. TYPE II PINS & SOCKETS TO ACCEPT ONE (1) 20 AWG, (1) 22 AWG, OR (1) 24 AWG STRANDED WIRE.  
 3. TYPE II PINS & SOCKETS TO ACCEPT ONE (1) 16 AWG, OR (1) 18 AWG STRANDED WIRE.  
 4. TYPE II PINS & SOCKETS TO ACCEPT ONE (1) 14 AWG STRANDED WIRE.



RECOMMENDED PANEL CUTOUT

QTY REQD	QTY REQD	ITEM NO.	DWG SIZE	PART OR IDENTIFYING NO.	NOMENCLATURE OR DESCRIPTION	SYMBOL
-2	-1					

UNLESS OTHERWISE SPECIFIED: DIMENSIONS ARE IN INCHES TOLERANCES .00 ±                      ANGLES = .000 ±                      T		CONTRACT NO. DR <i>L. Gieb</i> 6-1-72 CHK APPD <i>M. Anderson</i> 6/1/72 APPD		AMP INCORPORATED CAPITRON DIVISION ELIZABETHTOWN, PENNSYLVANIA	
MATERIAL: MOLDED PLASTIC		NAME 4 PIN PLUG & RECEPTACLE KIT		LGH	
FINISH: BLACK		DSGN APPD OTHER APPD		SIZE CODE IDENT NO. NUMBER C 00779 860286	
NEXT ASSY		NEXT ASSY		USED ON	
QTY REQD		APPLICATION		SCALE <i>H</i> WT SHEET 1 OF 1	