

# HD49330AF/AHF

## CDS/PGA & 12-bit A/D Converter

REJ03F0102-0100Z  
(Previous: ADE-207-344)  
Rev.1.0  
Apr.05.2004

---

### Description

The HD49330AF/AHF is a CMOS IC that provides CDS-PGA analog processing (CDS/PGA) suitable for CCD camera digital signal processing systems together with a 12-bit A/D converter in a single chip.

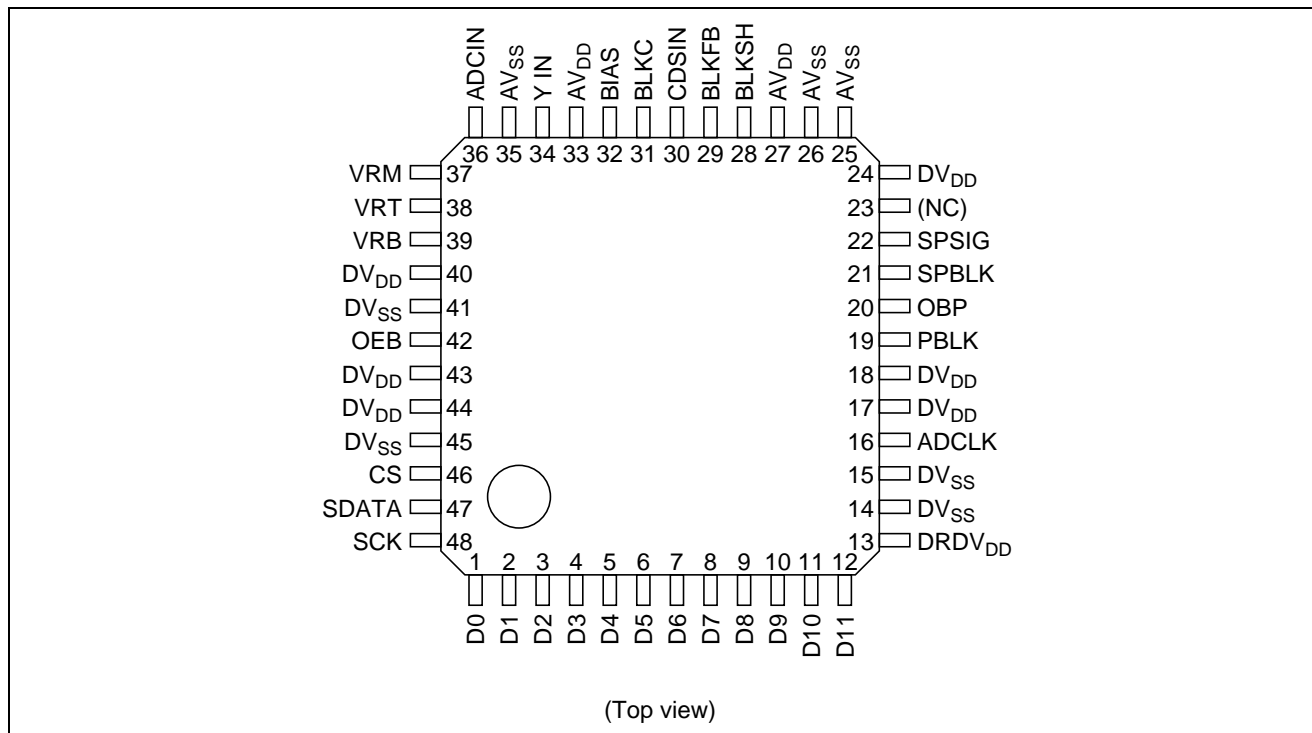
### Functions

- Correlated double sampling
- PGA
- Offset compensation
- Serial interface control
- 12-bit ADC
- Operates using only the 3 V voltage
- Corresponds to switching mode of power dissipation and operating frequency  
Power dissipation: 150 mW (Typ), maximum frequency: 36 MHz  
Power dissipation: 80 mW (Typ), maximum frequency: 20 MHz
- ADC direct input mode
- Y-IN direct input mode
- QFP 48-pin package

### Features

- Suppresses low-frequency noise output from CCD by the S/H type correlated double sampling.
- The S/H response frequency characteristics for the reference level can be adjusted using values of external parts and registers.
- High sensitivity is achieved due to the high S/N ratio and a wide coverage provided by a PG amplifier.
- Feedback is used to compensate and reduce the DC offsets including the output DC offset due to PGA gain change and the CCD offset in the CDS (correlated double sampling) amplifier input.
- PGA, standby mode, etc., is achieved via a serial interface.
- High precision is provided by a 12-bit-resolution A/D converter.

## Pin Arrangement



## Pin Description

Pin No.	Symbol	Description	I/O	Analog(A) or Digital(D)
1	D0	Digital output (LSB)	O	D
2 to 11	D1 to D10	Digital output	O	D
12	D11	Digital output (MSB)	O	D
13	DRDVEDD	Output buffer power supply (3 V)	—	D
14	DVSS	Digital ground (0 V)	—	D
15	DVSS	Digital ground (0 V)	—	D
16	ADCLK	ADC conversion clock input pin	I	D
17	DVDD	Digital power supply (3 V)	—	D
18	DVDD	Digital power supply (3 V)	—	D
19	PBLK	Preblanking input pin	I	D
20	OBP	Optical black pulse input pin	I	D
21	SPBLK	Black level sampling clock input pin	I	D
22	SPSIG	Signal level sampling clock input pin	I	D
23	NC	No connection pin	—	—
24	DVDD	Output power supply (3 V)	—	D
25	AVSS	Analog ground (0 V)	—	A
26	AVSS	Analog ground (0 V)	—	A
27	AVDD	Analog power supply (3 V)	—	A
28	BLKSH	Black level S/H pin	—	A
29	BLKFB	Black level FB pin	—	A
30	CDSIN	CDS input pin	I	A
31	BLKC	Black level C pin	—	A

**Pin Description** (cont.)

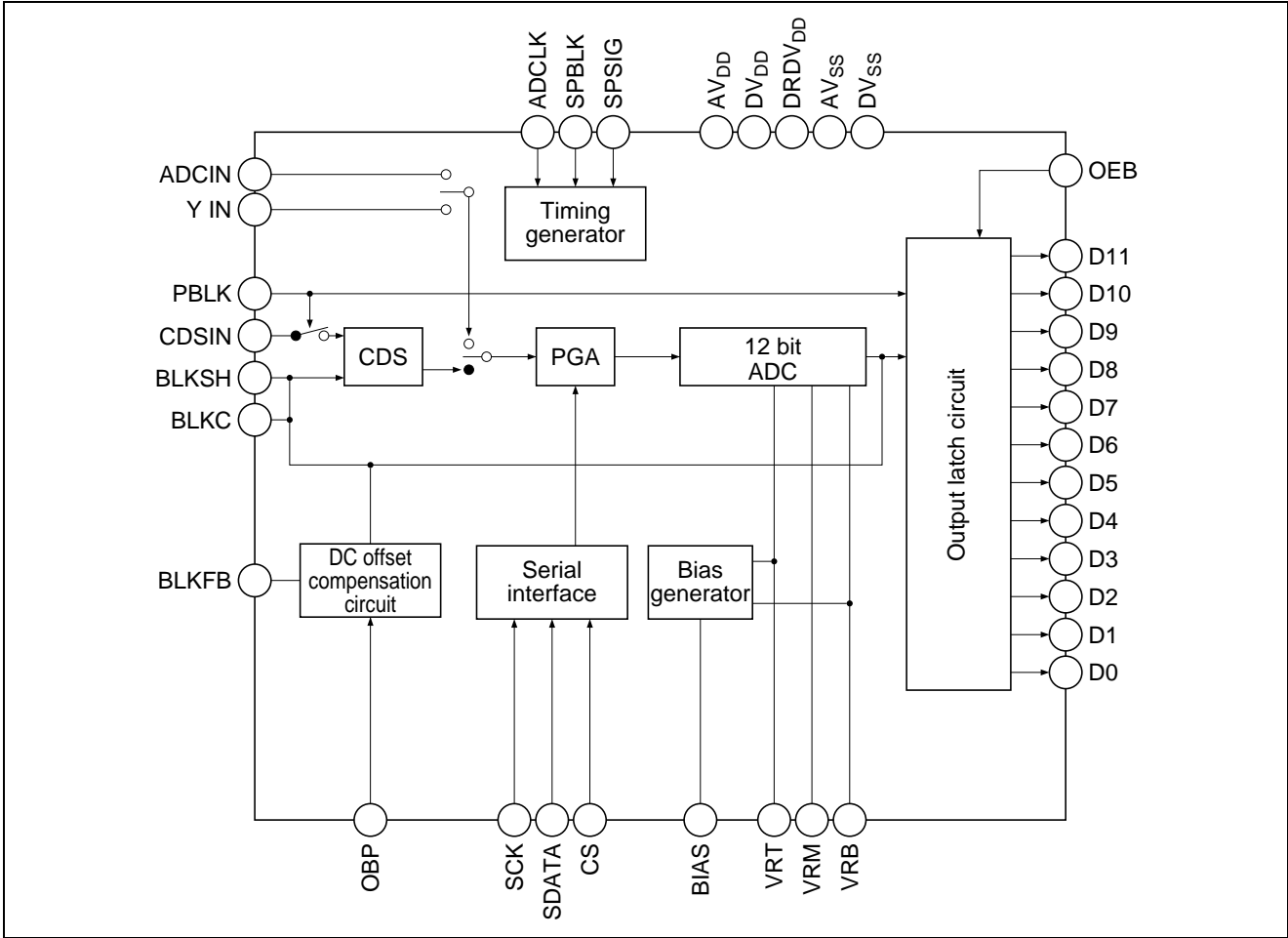
Pin No.	Symbol	Description	I/O	Analog(A) or Digital(D)
32	BIAS	Internal bias pin Connect a 33 kΩ resistor between BIAS and AV <sub>SS</sub> .	—	A
33	AV <sub>DD</sub>	Analog power supply (3 V)	—	A
34	Y IN	Y input pin	—	A
35	AV <sub>SS</sub>	Analog ground (0 V)	—	A
36	ADCIN	ADC input pin	—	A
37	VRM	Reference voltage pin 1 Connect a 0.1 μF ceramic capacitor between VRM and AV <sub>SS</sub> .	—	A
38	VRT	Reference voltage pin 3 Connect a 0.1 μF ceramic capacitor between VRT and AV <sub>SS</sub> .	—	A
39	VRB	Reference voltage pin 2 Connect a 0.1 μF ceramic capacitor between VRB and AV <sub>SS</sub> .	—	A
40	DV <sub>DD</sub>	Digital power supply (3 V)	—	D
41	DV <sub>SS</sub>	Digital ground (0 V)	—	D
42	OEB * <sup>1</sup>	Digital output enable pin	—	D
43	DV <sub>DD</sub>	Digital power supply (3 V)	—	D
44	DV <sub>DD</sub>	Digital power supply (3 V)	—	D
45	DV <sub>SS</sub>	Digital ground (0 V)	—	D
46	CS	Serial interface control input pin	I	D
47	SDATA	Serial data input pin	I	D
48	SCK	Serial clock input pin	I	D

Note: 1. With pull-down resistor.

## Input/Output Equivalent Circuit

Pin Name	Equivalent Circuit
Digital output D0 to D11	
Digital input ADCLK, OBP, SPBLK, SPSIG, CS, SCK, SDATA, PBLK, OEB	<p>Note: Only OEB is pulled down to about 70 kΩ.</p>
Analog CDSIN	
ADCIN	
Y IN	
BLKSH, BLKFB	
VRT, VRM, VRB	
BIAS	

Block Diagram



## Internal Functions

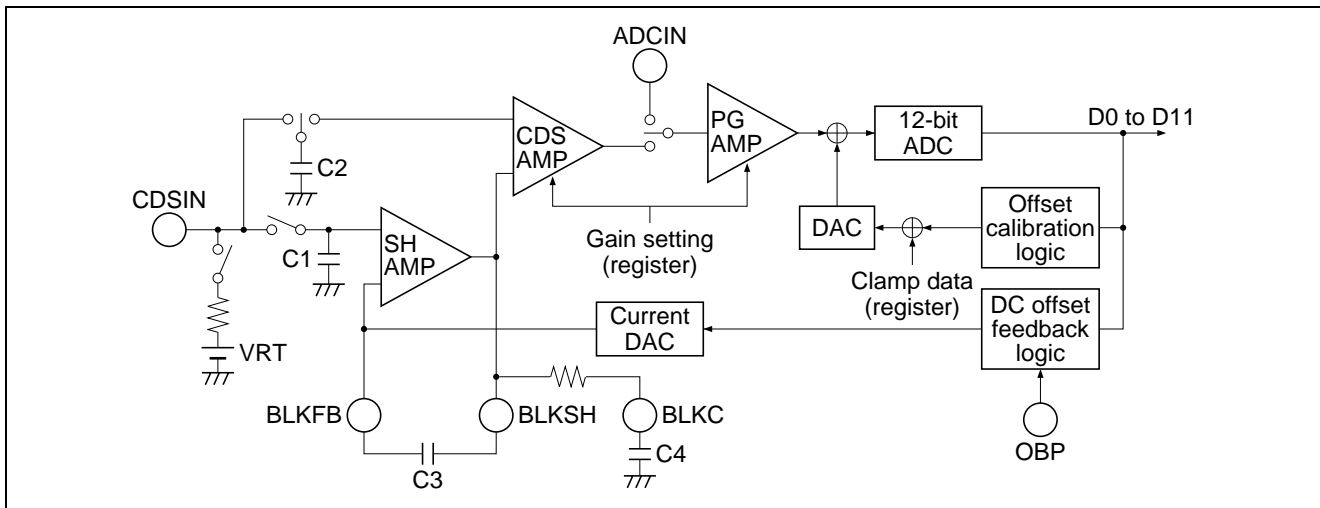
### Functional Description

- CDS input
  - CCD low-frequency noise is suppressed by CDS (correlated double sampling).
  - The signal level is clamped at 56 LSB to 304 LSB by resistor during the OB period.
  - Gain can be adjusted using 10 bits of register (0.033 dB steps) within the range from -2.36 dB to 31.40 dB. \*<sup>1</sup>
- ADC input
  - The center level of the input signal is clamped at 2048 LSB (Typ).
  - Gain can be adjusted using 10 bits of register (0.00446 times steps) within the range from 0.57 times (-4.86 dB) to 5.14 times (14.22 dB). \*<sup>1</sup>
- Y-IN input
  - The input signal is clamped at 280 LSB (Typ) by SYNC Tip clamp.
- Automatic offset calibration of PGA and ADC
- DC offset compensation feedback for CCD and CDS
- Pre-blanking
  - CDS input operation is protected by separating it from the large input signal.
  - Digital output is fixed at 32 LSB.
- Digital output enable function

Note: 1. Full-scale digital output is defined as 0 dB (one time) when 1 V is input.

### Operating Description

Figure 1 shows CDS/PGA + ADC function block.



**Figure 1 HD49330AF/AHF Functional Block Diagram**

#### 1. CDS (Correlated Double Sampling) Circuit

The CDS circuit extracts the voltage differential between the black level and a signal including the black level. The black level is directly sampled at C1 by using the SPBLK pulse, buffered by the SHAMP, then provided to the CDSAMP.

The signal level is directly sampled at C2 by using the SPSIG pulse, and provided to CDSAMP (see figure 1). The difference between these two signal levels is extracted by the CDSAMP, which also operates as a programmable gain amplifier at the previous stage. The CDS input is biased with VRT (2 V) during the SPBLK pulse validation period. During the PBLK period, the above sampling and bias operation are paused.

2. PGA Circuit

The PGAMP is the programmable gain amplifier for the latter stage. The PGAMP and the CDSAMP set the gain using 10 bits of register.

The equation below shows how the gain changes when register value N is from 0 to 1023.

In CDSIN mode: Gain = (-2.36 dB + 0.033 dB) × N (LOG linear).

In ADCIN mode: Gain = (0.57 times + 0.00446 times) × N (linear).

Full-scale digital output is defined as 0 dB (one time) when 1 V is input.

3. Automatic Offset Calibration Function and Black-Level Clamp Data Setting

The DAC DC voltage added to the output of the PGAMP is adjusted by automatic offset calibration.

The data, which cancels the output offset of the PGAMP and the input offset of the ADC, and the clamp data (56 LSB to 304 LSB) set by register are added and input to the DAC.

The automatic offset calibration starts automatically after the RESET mode set by register 1 is cancelled and terminates after 40000 clock cycles (when fclk = 20 MHz, 2 ms).

4. DC Offset Compensation Feedback Function

Feedback is done to set the black signal level input during the OB period to the DC standard, and all offsets (including the CCD offset and the CDSAMP offset) are compensated for.

The offset from the ADC output is calculated during the OB period, and SHAMP feedback capacitor C3 is charged by the current DAC (see figure 1).

The open-loop differential gain ( $\Delta\text{Gain}/\Delta\text{H}$ ) per 1 H of the feedback loop is given by the following equation. 1H is the one cycle of the OBP.

$$\Delta\text{Gain}/\Delta\text{H} = 0.078 / (\text{fclk} \times \text{C3}) \quad (\text{fclk: ADCLK frequency, C3: SHAMP external feedback capacitor})$$

Example: When fclk = 20 MHz and C3 = 1.0  $\mu\text{F}$ ,  $\Delta\text{Gain}/\Delta\text{H} = 0.0039$

When the PGAMP gain setting is changed, the high-speed lead-in operation state is entered, and the feedback loop gain is increased by a multiple of N. Loop gain multiplication factor N can be selected from 2 times, 4 times, 8 times, or 16 times by changing the register settings (see table 1). Note that the open-loop differential gain ( $\Delta\text{Gain}/\Delta\text{H}$ ) must be one or lower. If it is two or more, oscillation occurs.

The time from the termination of high-speed lead-in operation to the return of normal loop gain operation can be selected from 1 H, 2 H, 4 H, or 8 H. If the offset error is over 64 LSB, the high-speed lead-in operation continues, and when the offset error is 64 LSB or less, the operation returns to the normal loop-gain operation after 1 H, 2 H, 4 H, or 8 H depending on the register settings. See table 2.

**Table 1 Loop Gain Multiplication Factor during High-Speed Lead-In Operation**

HGain-Nsel (register settings)		Multiplication Factor N
[0]	[1]	
L	L	4
H	L	8
L	H	16
H	H	32

**Table 2 High-Speed Lead-In Operation Cancellation Time**

HGstop-Hsel (register settings)		Cancellation Time
[0]	[1]	
L	L	1 H
H	L	2 H
L	H	4 H
H	H	8 H

5. Pre-Blanking Function

During the PBLK input period, the CSD input operation is separated and protected from the large input signal. The ADC digital output is fixed to clamp data (56 to 304 LSB).

6. ADC Digital Output Control Function

The ADC digital output includes the functions output enable, code conversion, and test mode. Tables 3, 4 and 5 show the output functions and the codes.

**Table 3 ADC Digital Output Functions**

STBY	OEB	TEST0	TEST1	LINV	MINV	PBLK	ADC Digital Output										Operating Mode							
							D11	D10	D9	D8	D7	D6	D5	D4	D3	D2		D1	D0					
H	X	X	X	X	X	X	Hi-Z										Low-power wait state							
L	H	X	X	X	X	X	Hi-Z										Output Hi-Z							
							L	L	L	L	L	L	H	Same as in table 4.										Normal operation
	L	H	H	D11 is inverted in table 4.																				
	H	L	H	D10 to D0 are inverted in table 4.																				
	H	H	H	D11 to D0 are inverted in table 4.																				
	X	X	L	Output code is set up to Clamp Level.																				
	X	X	L	Output code is set up to Clamp Level.																				
	H	L	L	H	L	L	H	Same as in table 5.										Normal operation						
								L	H	H	D11 is inverted in table 5.													
								H	L	H	D10 to D0 are inverted in table 5.													
								H	H	H	D11 to D0 are inverted in table 5.													
								X	X	L	Output code is set up to Clamp Level.													
								X	X	L	Output code is set up to Clamp Level.													
	H	X	X	L	L	X	H	L	L	H	L	H	L	H	L	H	L	H	L	L	Test mode			
L								H	X	L	L	H	L	H	L	H	L	H	L	H	L	H	L	
H								L	X	H	L	L	H	L	H	L	H	L	H	L	H	L	H	L
H								H	X	L	H	L	H	L	H	L	H	L	H	L	H	L	H	L

- Notes: 1. STBY, TEST, LINV, and MINV are set by register.  
 2. Mode setting for the OEB and the PBLK are done by external input pins.  
 3. The polarity of the PBLK pin when the register setting is SPinv is low.

**Table 4 ADC Output Code**

Output Pin		D11	D10	D9	D8	D7	D6	D5	D4	D3	D2	D1	D0
Output codes	Steps	0	L	L	L	L	L	L	L	L	L	L	L
	1	L	L	L	L	L	L	L	L	L	L	L	L
	2	L	L	L	L	L	L	L	L	L	L	H	L
	3	L	L	L	L	L	L	L	L	L	L	H	H
	4	L	L	L	L	L	L	L	L	L	L	H	L
	5	L	L	L	L	L	L	L	L	L	L	H	L
	6	L	L	L	L	L	L	L	L	L	L	H	H
	...	...	...	...	...	...	...	...	...	...	...	...	...
	2047	L	H	H	H	H	H	H	H	H	H	H	H
	2048	H	L	L	L	L	L	L	L	L	L	L	L
	...	...	...	...	...	...	...	...	...	...	...	...	...
	4092	H	H	H	H	H	H	H	H	H	H	H	L
	4093	H	H	H	H	H	H	H	H	H	H	H	L
	4094	H	H	H	H	H	H	H	H	H	H	H	H
	4095	H	H	H	H	H	H	H	H	H	H	H	H

**Table 5 ADC Output Code (TEST1)**

Output Pin		D11	D10	D9	D8	D7	D6	D5	D4	D3	D2	D1	D0
Output codes	Steps	0	L	L	L	L	L	L	L	L	L	L	L
	1	L	L	L	L	L	L	L	L	L	L	L	L
	2	L	L	L	L	L	L	L	L	L	L	H	H
	3	L	L	L	L	L	L	L	L	L	L	H	H
	4	L	L	L	L	L	L	L	L	L	L	H	H
	5	L	L	L	L	L	L	L	L	L	L	H	H
	6	L	L	L	L	L	L	L	L	L	L	H	L
	...	...	...	...	...	...	...	...	...	...	...	...	...
	2047	L	H	L	L	L	L	L	L	L	L	L	L
	2048	H	H	L	L	L	L	L	L	L	L	L	L
	...	...	...	...	...	...	...	...	...	...	...	...	...
	4092	H	L	L	L	L	L	L	L	L	L	L	H
	4093	H	L	L	L	L	L	L	L	L	L	L	H
	4094	H	L	L	L	L	L	L	L	L	L	L	H
	4095	H	L	L	L	L	L	L	L	L	L	L	L



7. Adjustment of Black-Level S/H Response Frequency Characteristics

The CR time constant that is used for sampling/hold (S/H) at the black level can be adjusted by changing the register settings, as shown in table 6.

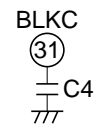
**Table 6 SHSW CR Time Constant Setting**

		SHSW-fsel (Register setting)																															
		[0]	[1]	[2]	[3]	[0]	[1]	[2]	[3]	[0]	[1]	[2]	[3]	[0]	[1]	[2]	[3]	[0]	[1]	[2]	[3]	[0]	[1]	[2]	[3]								
		L	L	L	L	H	L	L	L	L	H	L	L	H	H	L	L	L	L	H	L	H	L	H	L	L	H	H	L	H	H	H	L
CR Time Constant (Typ) (cutoff frequency conversion)		2.20 nsec (72 MHz)	2.30 nsec (69 MHz)	2.51 nsec (63 MHz)	2.64 nsec (60 MHz)	2.93 nsec (54 MHz)	3.11 nsec (51 MHz)	3.52 nsec (45 MHz)	3.77 nsec (42 MHz)																								

		SHSW-fsel (Register setting)																															
		[0]	[1]	[2]	[3]	[0]	[1]	[2]	[3]	[0]	[1]	[2]	[3]	[0]	[1]	[2]	[3]	[0]	[1]	[2]	[3]	[0]	[1]	[2]	[3]								
		L	L	L	H	H	L	L	H	L	H	L	H	H	H	L	H	L	L	H	H	H	L	H	H	L	H	H	H	H	H	H	H
CR Time Constant (Typ) (cutoff frequency conversion)		4.40 nsec (36 MHz)	4.80 nsec (33 MHz)	5.87 nsec (27 MHz)	6.60 nsec (24 MHz)	8.80 nsec (18 MHz)	10.6 nsec (15 MHz)	17.6 nsec (9 MHz)	26.4 nsec (6 MHz)																								

8. The SHAMP frequency characteristics can be adjusted by changing the register settings and the C4 value of the external 31st pin.  
The settings are shown in table 7.  
Values other than those shown in the table 7 cannot be used.



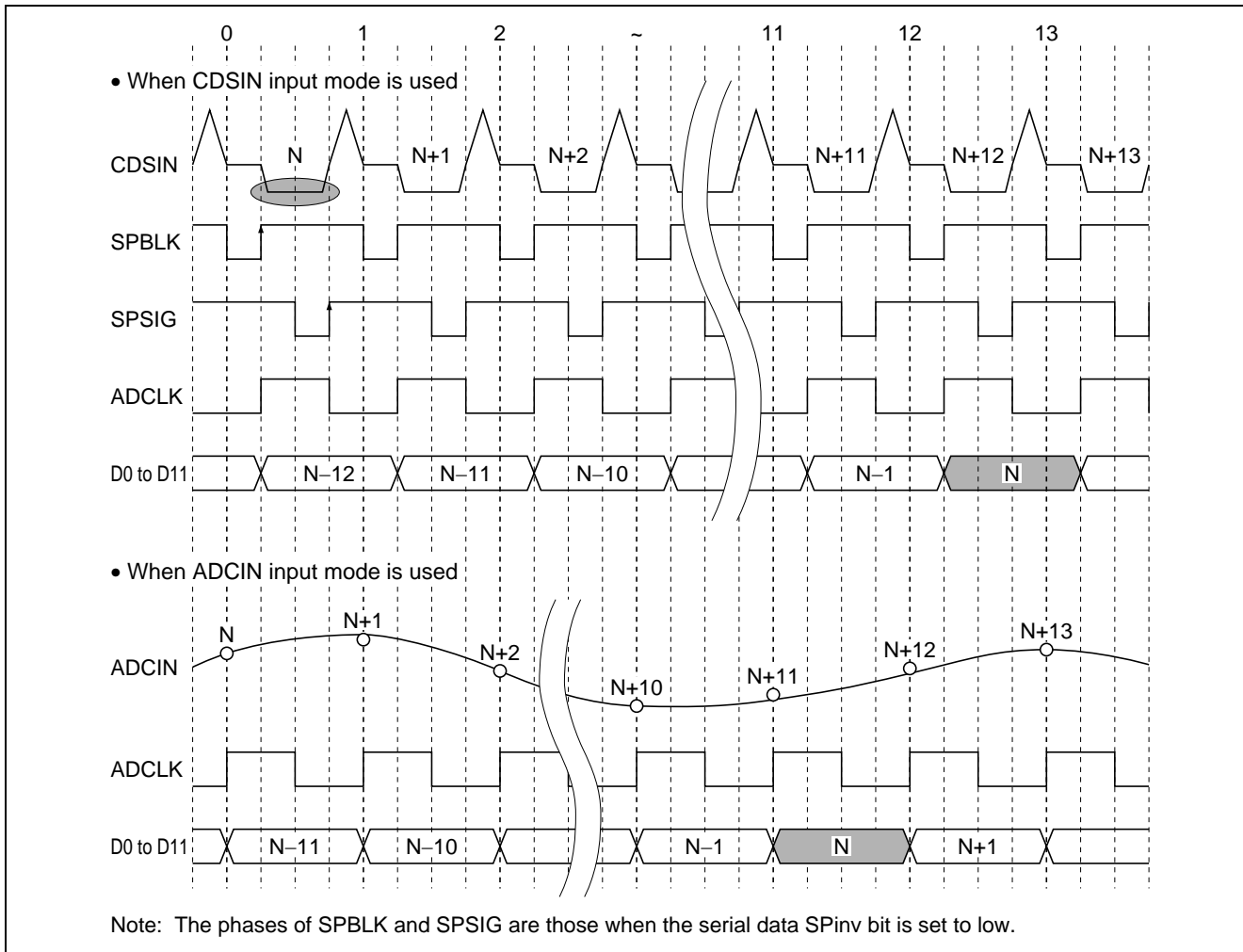
**Table 7 SHAMP Frequency Characteristics Setting**

LoPwr (Register setting)	SHA-fsel (Register setting)					
	[0]		[1]		[1]	
	H	L	L	H	H	H
"Lo"	116 MHz 10000 pF (270 pF)	75 MHz 13000 pF (300 pF)	56 MHz 18000 pF (360 pF)			
"Hi"	49 MHz 15000 pF (620 pF)	32 MHz 22000 pF (750 pF)	24 MHz 27000 pF (820 pF)			

Note: Upper line : SHAMP cutoff frequency (Typ)  
Middle line : Standard value of C4 (maximum value is not defined)  
Lower line : Minimum value of C4 (do not set below this value)

## Timing Chart

Figure 2 shows the timing chart when CDSIN and ADCIN input modes are used.



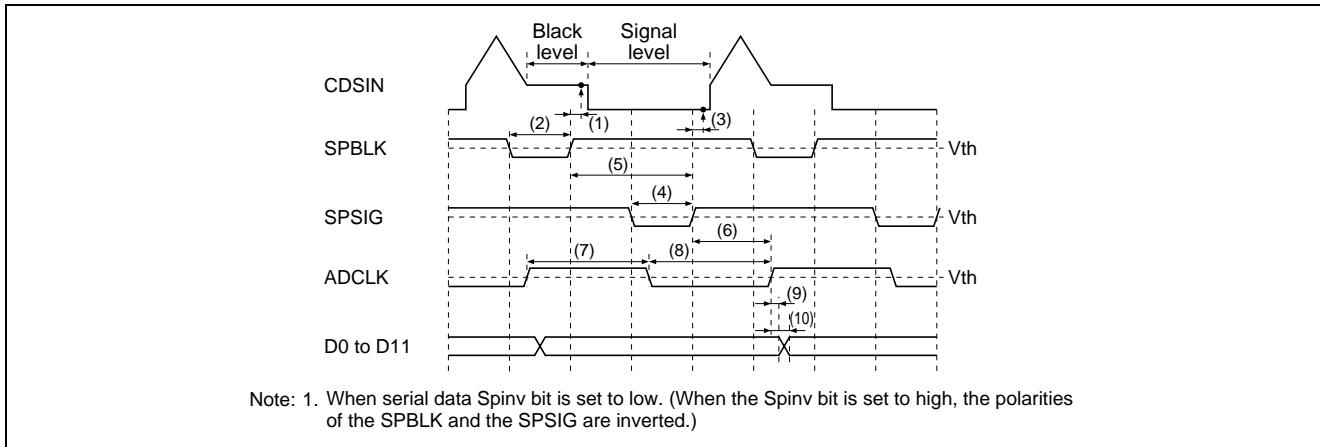
**Figure 2 Output Timing Chart when CDSIN and ADCIN Input Modes are Used**

- The ADC output (D0 to D11) is output at the rising edge of the ADCLK in both modes.
- Pipe-line delay is twelve clock cycles when CDSIN is used and eleven when ADCIN is used.
- In ADCIN input mode, the input signal is sampled at the rising edge of the ADCLK.

## Detailed Timing Specifications

### Detailed Timing Specifications when CDSIN Input Mode is Used

Figure 3 shows the detailed timing specifications when the CDSIN input mode is used, and table 8 shows each timing specification.



**Figure 3 Detailed Timing Chart when CDSIN Input Mode is Used**

**Table 8 Timing Specifications when the CDSIN Input Mode is Used**

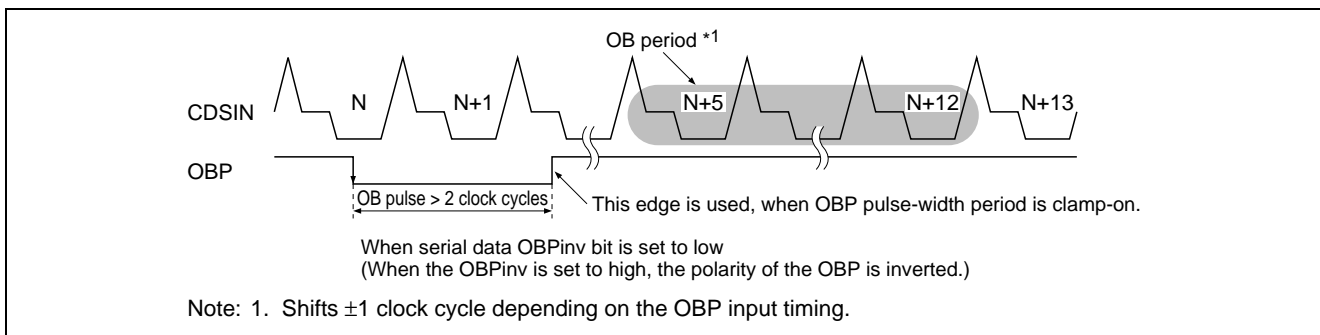
No.	Timing	Symbol	Min	Typ	Max	Unit
(1)	Black-level signal fetch time	$t_{CDS1}$	—	(1.5)	—	ns
(2)	SPBLK low period *1	$t_{CDS2}$	$Typ \times 0.8$	$1/4f_{CLK}$	$Typ \times 1.2$	ns
(3)	Signal-level fetch time	$t_{CDS3}$	—	(1.5)	—	ns
(4)	SPSIG low period *1	$t_{CDS4}$	$Typ \times 0.8$	$1/4f_{CLK}$	$Typ \times 1.2$	ns
(5)	SPBLK rising to SPSIG rising time *1	$t_{CDS5}$	$Typ \times 0.85$	$1/2f_{CLK}$	$Typ \times 1.15$	ns
(6)	SPSIG rising to ADCLK rising inhibition time *1	$t_{CDS6}$	1	5	9	ns
(7), (8)	ADCLK $t_{WH} min./t_{WL} min.$	$t_{CDS7,8}$	11	—	—	ns
(9)	ADCLK rising to digital output hold time	$t_{CHLD9}$	3	7	—	ns
(10)	ADCLK rising to digital output delay time	$t_{COD10}$	—	16	24	ns

Note: 1. SPBLK and SPSIG polarities when serial data Spinv bit is set to low.

### OBP Detailed Timing Specifications

Figure 4 shows the OBP detailed timing specifications.

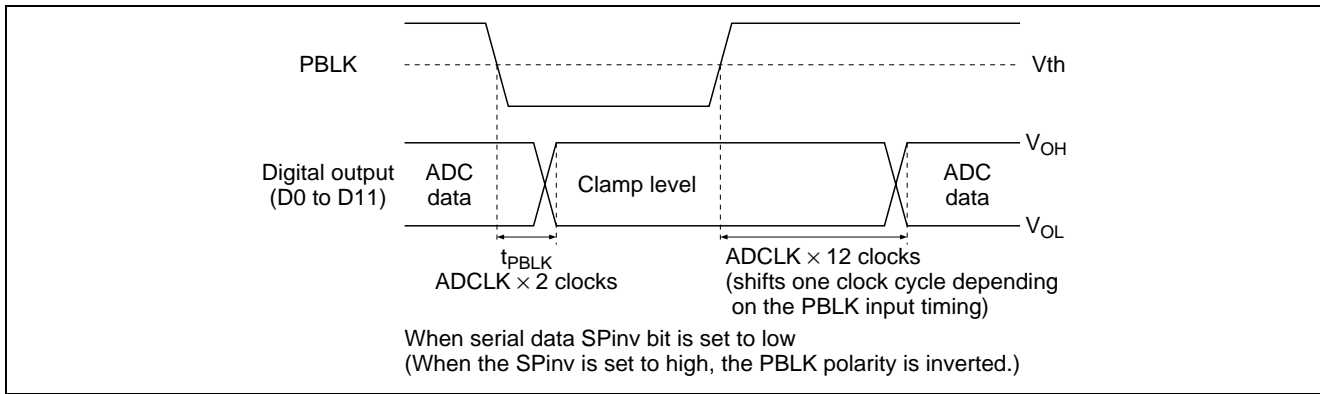
The OB period is from the fifth to the twelfth clock cycle after the OB pulse is input. The average of the black signal level is taken for eight input cycles during the OB period and becomes the clamp level (DC standard).



**Figure 4 OBP Detailed Timing Specifications**

**Detailed Timing Specifications at Pre-Blanking**

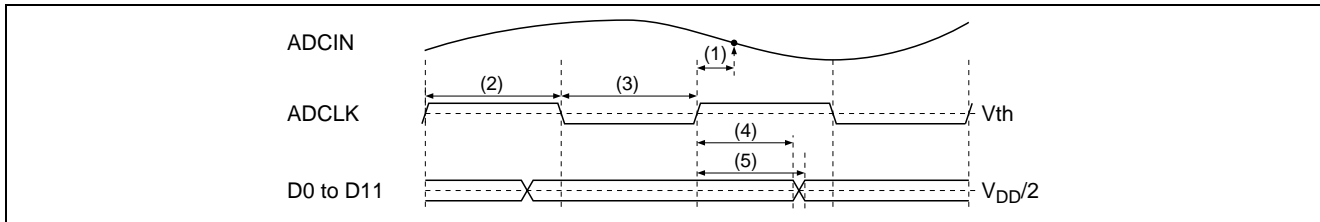
Figure 5 shows the pre-blanking detailed timing specifications.



**Figure 5 Detailed Timing Specifications at Pre-Blanking**

**Detailed Timing Specifications when ADCIN Input Mode is Used**

Figure 6 shows the detailed timing chart when ADCIN input mode is used, and table 9 shows each timing specification.



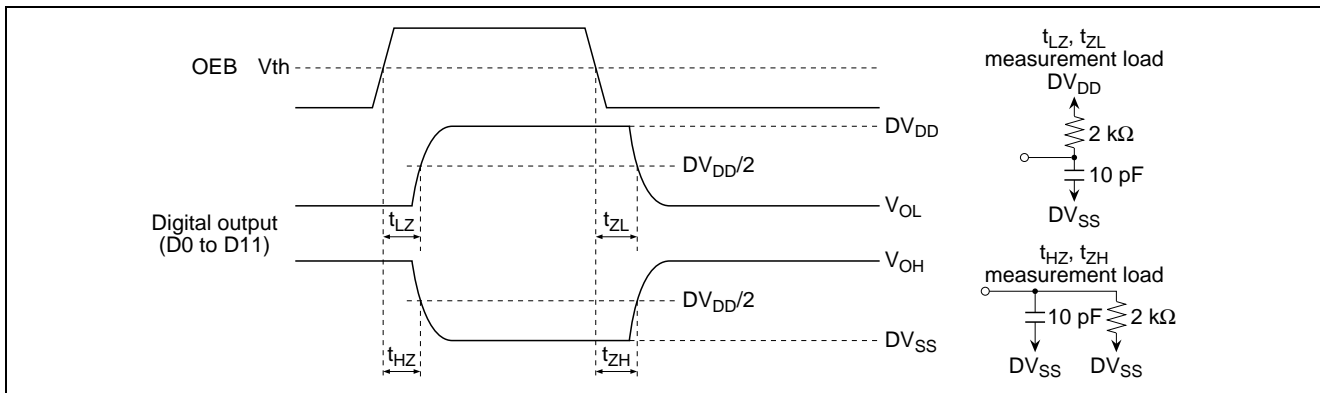
**Figure 6 Detailed Timing Chart when ADCIN Input Mode is Used**

**Table 9 Timing Specifications when ADCIN Input Mode is Used**

No.	Timing	Symbol	Min	Typ	Max	Unit
(1)	Signal fetch time	$t_{ADC1}$	—	(6)	—	ns
(2), (3)	ADCLK $t_{WH}$ min./ $t_{WL}$ min.	$t_{ADC2,3}$	Typ $\times$ 0.85	$1/2f_{ADCLK}$	Typ $\times$ 1.15	ns
(4)	ADCLK rising to digital output hold time	$t_{AHL4}$	10	14.5	—	ns
(5)	ADCLK rising to digital output delay time	$t_{AOD5}$	—	23.5	31.5	ns

**Detailed Timing Specifications for Digital Output-Enable Control**

Figure 7 shows the detailed timing specifications for digital output enable control. When the OEB pin is set to high, output disable mode is entered, and the output state becomes High-Z.

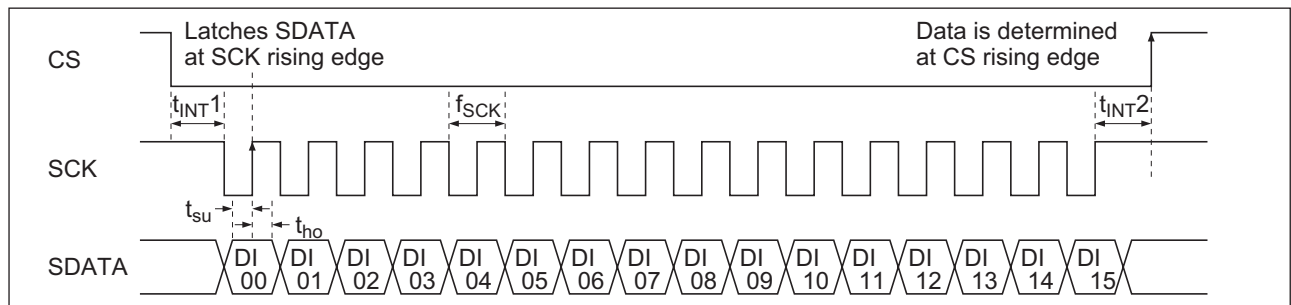


**Figure 7 Detailed Timing Specifications for Digital Output Enable Control**

## Serial Interface Specifications

**Table 10 Serial Data Function List**

	Resister 0	Resister 1	Resister 2	Resister 3	Resister 4 to 7 Test Mode (can not be used)
DI 00 (LSB)	Low	High	Low	High	Low to High
DI 01	Low	Low	High	High	Low to High
DI 02	Low	Low	Low	Low	High
DI 03	PGA gain setting (LSB) *5	SLP Low: Normal operation mode High: Sleep mode	Clamp-level [0] (LSB)	YC-Bias off	Cannot be used. *7 All low
DI 04	PGA gain setting *5	STBY Low: Normal operation mode High: Standby mode	Clamp-level [1]	Output mode setting (TEST1)	
DI 05	PGA gain setting *5	Output mode setting (LINV)	Clamp-level [2]	Cannot be used. *7 All low	
DI 06	PGA gain setting *5	Output mode setting (MINV)	Clamp-level [3]	Average4, 4 lines average	
DI 07	PGA gain setting *5	Output mode setting (TEST0)	Clamp-level [4] (MSB)	Cannot be used. *7 All low	
DI 08	PGA gain setting *5	SHA-fsel [0] (LSB)	HGstop-Hsel [0]		
DI 09	PGA gain setting *5	SHA-fsel [1] (MSB)	HGstop-Hsel [1]	High-speed lead-in gain multiplication	
DI 10	PGA gain setting *5	SHSW-fsel [0] (LSB)	HGain-Nsel [0]		
DI 11	PGA gain setting *5	SHSW-fsel [1]	HGain-Nsel [1]	Cannot be used. *8 Low	
DI 12	PGA gain setting (MSB) *5	SHSW-fsel [2]	LoPwr Low: Normal mode High: Low power mode	Cannot be used. *8 High	
DI 13	X	SHSW-fsel [3] (MSB)	SPInv, SPSIG/SPBLK/PBLK inversion	Cannot be used. *8 Low	
DI 14	YSEL Low: CDSIN input mode High: YIN input mode	Cannot be used. *7 All low	OBPInv, OBP inversion	Cannot be used. *8 Low	
DI 15 (MSB)	CSEL Low: CDSIN input mode High: YIN input mode		RESET Low: Reset mode High: Normal operation mode	Cannot be used. *8 High	



**Figure 8 Serial Interface Timing Specifications**

- Notes:
- 2 byte continuous communications.
  - SDATA is latched at SCK rising edge.
  - Insert 16 clocks of SCK while CS is low.
  - Data is invalid if data transmission is aborted during transmission.
  - The gain conversion table differs in the CDSIN input mode and the ADCIN input mode.
  - STBY: Reference voltage generator circuit is in the operating state.  
SLP: All circuits are in the sleep state.
  - This bit is used for the IC testing, and cannot be used by the user.  
Please do not set up in addition to "ALL Low".
  - This bit is used for the IC testing, and cannot be used by the user.  
It is set to the state on the right of a column when RESET bit is set to low. The register 3 should transmit by setup on the right of a column.

**Timing Specifications**

	Min	Max
$f_{SCK}$	—	5 MHz
$t_{INT1, 2}$	50 ns	—
$t_{su}$	50 ns	—
$t_{ho}$	50 ns	—

## Absolute Maximum Ratings

(Ta = 25°C)

Item	Symbol	Ratings	Unit
Power supply voltage	V <sub>DD(max)</sub>	4.1	V
Analog input voltage	V <sub>IN(max)</sub>	-0.3 to AV <sub>DD</sub> +0.3	V
Digital input voltage	V <sub>I(max)</sub>	-0.3 to DV <sub>DD</sub> +0.3	V
Operating temperature	Topr	-10 to +75	°C
Power dissipation	Pt(max)	400	mW
Storage temperature	Tstg	-55 to +125	°C
Power supply voltage range	Vopr	2.85 to 3.3	V

Notes: 1. V<sub>DD</sub> indicates AV<sub>DD</sub> and DV<sub>DD</sub>.

2. AV<sub>DD</sub> and DV<sub>DD</sub> must be commonly connected outside the IC. When they are separated by a noise filter, the potential difference must be 0.3 V or less at power on, and 0.1 V or less during operation.

## Electrical Characteristics

(Unless otherwise specified, Ta = 25°C, AV<sub>DD</sub> = 3.0 V, DV<sub>DD</sub> = 3.0 V, and R<sub>BIAS</sub> = 33 kΩ)

- Items Common to CDSIN and ADCIN Input Modes

Item	Symbol	Min	Typ	Max	Unit	Test Conditions	Remarks
Power supply voltage range	V <sub>DD</sub>	2.85	3.0	3.3	V		
Conversion frequency	f <sub>CLK low</sub>	5.5	—	20	MHz	LoPwr = high	
	f <sub>CLK hi</sub>	20	—	36	MHz	LoPwr = low	
Digital input voltage	V <sub>IH</sub>	$2.0 \times \frac{DV_{DD}}{3.0}$	—	DV <sub>DD</sub>	V		Digital input pins other than CS, SCK and SDATA
	V <sub>IL</sub>	0	—	$0.8 \times \frac{DV_{DD}}{3.0}$	V		
	V <sub>IH2</sub>	$2.25 \times \frac{DV_{DD}}{3.0}$	—	DV <sub>DD</sub>	V		CS, SCK, SDATA
	V <sub>IL2</sub>	0	—	$0.6 \times \frac{DV_{DD}}{3.0}$	V		
Digital output voltage	V <sub>OH</sub>	DV <sub>DD</sub> -0.5	—	—	V	I <sub>OH</sub> = -1 mA	
	V <sub>OL</sub>	—	—	0.5	V	I <sub>OL</sub> = +1 mA	
Digital input current	I <sub>IH</sub>	—	—	50	μA	V <sub>IH</sub> = 3.0 V	
	I <sub>IH2</sub>	—	—	250	μA	V <sub>IH</sub> = 3.0 V	
	I <sub>IL</sub>	-50	—	—	μA	V <sub>IL</sub> = 0 V	
Digital output current	I <sub>OZH</sub>	—	—	50	μA	V <sub>OH</sub> = V <sub>DD</sub>	
	I <sub>OZL</sub>	-50	—	—	μA	V <sub>OL</sub> = 0 V	
ADC resolution	RES	12	12	12	bit		
ADC integral linearity	INL	—	(8)	—	LSBp-p	f <sub>CLK</sub> = 20 MHz	
ADC differential linearity+	DNL+	—	0.6	0.95	LSB	f <sub>CLK</sub> = 20 MHz	*1
ADC differential linearity-	DNL-	-0.95	-0.6	—	LSB	f <sub>CLK</sub> = 20 MHz	*1
Sleep current	I <sub>SLP</sub>	-100	0	100	μA	Digital input pin is set to 0 V, output pin is open	
Standby current	I <sub>STBY</sub>	—	3	5	mA	Digital I/O pin is set to 0 V	
Digital output Hi-Z delay time	t <sub>HZ</sub>	—	—	100	ns	R <sub>L</sub> = 2 kΩ, C <sub>L</sub> = 10 pF	See figure 7
	t <sub>LZ</sub>	—	—	100	ns		
	t <sub>ZH</sub>	—	—	100	ns		
	t <sub>ZL</sub>	—	—	100	ns		

Notes: 1. Differential linearity is the calculated difference in linearity errors between adjacent codes.

2. Values within parentheses ( ) are for reference.

**Electrical Characteristics (cont.)**

 (Unless othewide specified, Ta = 25°C, AV<sub>DD</sub> = 3.0 V, DV<sub>DD</sub> = 3.0 V, and R<sub>BIAS</sub> = 33 kΩ)

## • Items for CDSIN Input Mode

Item	Symbol	Min	Typ	Max	Unit	Test Conditions	Remarks
Consumption current (1)	I <sub>DD1</sub>	—	54	65	mA	LoPwr = low f <sub>CLK</sub> = 36 MHz	
Consumption current (2)	I <sub>DD2</sub>	—	28	35	mA	LoPwr = high f <sub>CLK</sub> = 20 MHz	
CCD offset tolerance range	V <sub>CCD</sub>	(-100)	—	(100)	mV		
Timing specifications (1)	t <sub>CDS1</sub>	—	(1.5)	—	ns		See table 8
Timing specifications (2)	t <sub>CDS2</sub>	Typ × 0.8	1/4f <sub>CLK</sub>	Typ × 1.2	ns		
Timing specifications (3)	t <sub>CDS3</sub>	—	(1.5)	—	ns		
Timing specifications (4)	t <sub>CDS4</sub>	Typ × 0.8	1/4f <sub>CLK</sub>	Typ × 1.2	ns		
Timing specifications (5)	t <sub>CDS5</sub>	Typ × 0.85	1/2f <sub>CLK</sub>	Typ × 1.15	ns		
Timing specifications (6)	t <sub>CDS6</sub>	1	5	9	ns		
Timing specifications (7)	t <sub>CDS7</sub>	11	—	—	ns		
Timing specifications (8)	t <sub>CDS8</sub>	11	—	—	ns		
Timing specifications (9)	t <sub>CHLD9</sub>	3	7	—	ns	C <sub>L</sub> = 10 pF	
Timing specifications (10)	t <sub>COD10</sub>	—	16	24	ns		
Clamp level	CLP(00)	—	(56)	—	LSB		
	CLP(09)	—	(128)	—	LSB		
	CLP(31)	—	(304)	—	LSB		
PGA gain at CDS input	AGC(0)	-4.4	-2.4	-0.4	dB		
	AGC(256)	4.1	6.1	8.1	dB		
	AGC(512)	12.5	14.5	16.5	dB		
	AGC(768)	21.0	23.0	25.0	dB		
	AGC(1023)	29.4	31.4	33.4	dB		

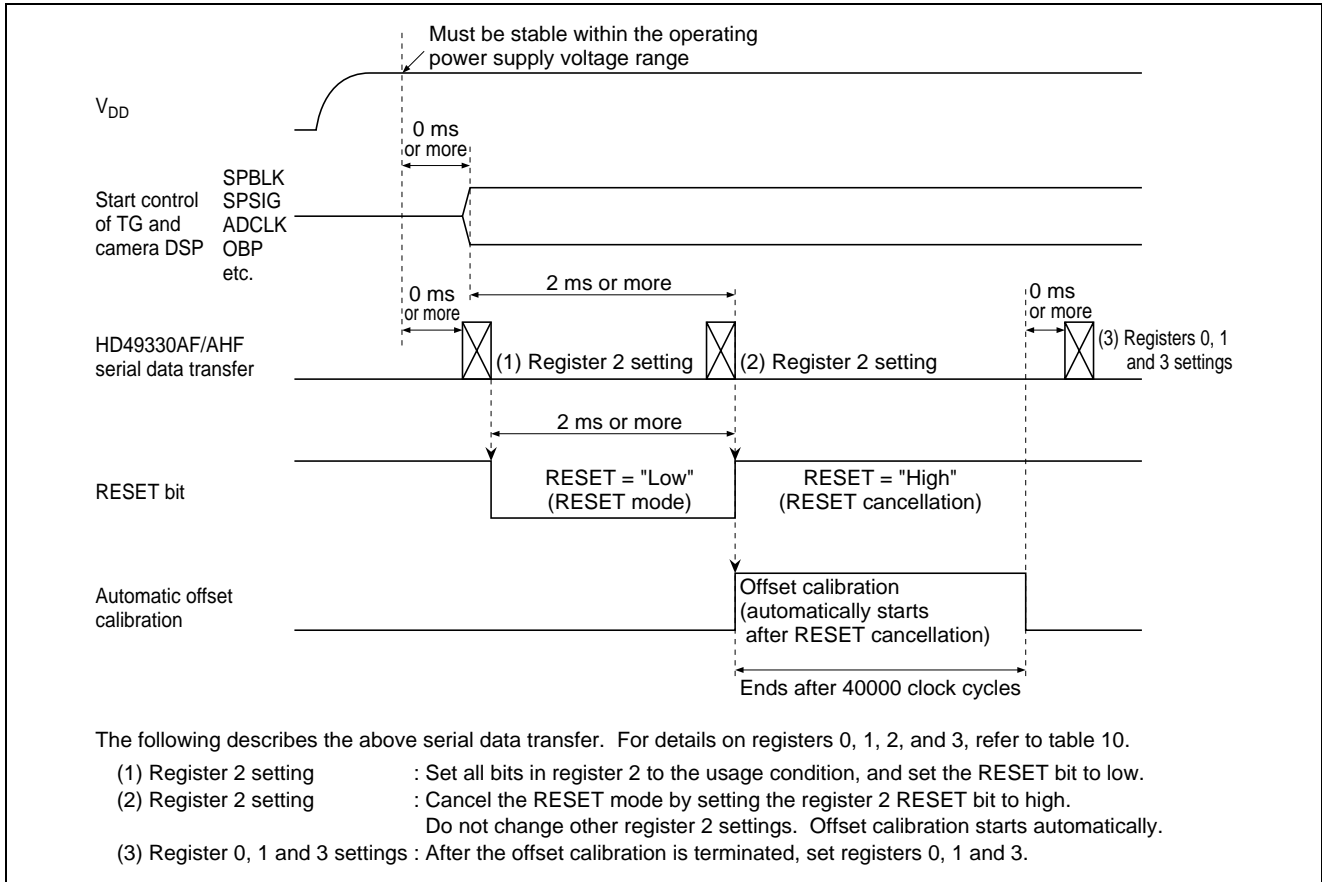
Note : Values within parentheses ( ) are for reference.

## • Items for ADCIN Input Mode

Item	Symbol	Min	Typ	Max	Unit	Test Conditions	Remarks
Consumption current (3)	I <sub>DD3</sub>	—	39	49	mA	LoPwr = low f <sub>CLK</sub> = 36 MHz	
Consumption current (4)	I <sub>DD4</sub>	—	21	26	mA	LoPwr = high f <sub>CLK</sub> = 20 MHz	
Timing specifications (11)	t <sub>ADC1</sub>	—	(6)	—	ns		See table 9
Timing specifications (12)	t <sub>ADC2</sub>	Typ × 0.85	1/2f <sub>ADCLK</sub>	Typ × 1.15	ns		
Timing specifications (13)	t <sub>ADC3</sub>	Typ × 0.85	1/2f <sub>ADCLK</sub>	Typ × 1.15	ns		
Timing specifications (14)	t <sub>AHLD4</sub>	—	14.5	—	ns	C <sub>L</sub> = 10 pF	
Timing specifications (15)	t <sub>AOD5</sub>	—	23.5	31.5	ns		
Input current at ADC input	I <sub>IN<sub>CIN</sub></sub>	-110	—	110	μA	V <sub>IN</sub> = 1.0 V to 2.0 V	
Clamp level at ADC input	OF2	—	(2048)	—	LSB		
Clamp level at YIN input	OF1	—	(280)	—	LSB		
PGA gain at ADC input	GSL(0)	0.45	0.57	0.72	Times		
	GSL(256)	1.36	1.71	2.16	Times		
	GSL(512)	2.27	2.86	3.60	Times		
	GSL(768)	3.18	4.00	5.04	Times		
	GSL(1023)	4.08	5.14	6.47	Times		

Note : Values within parentheses ( ) are for reference.

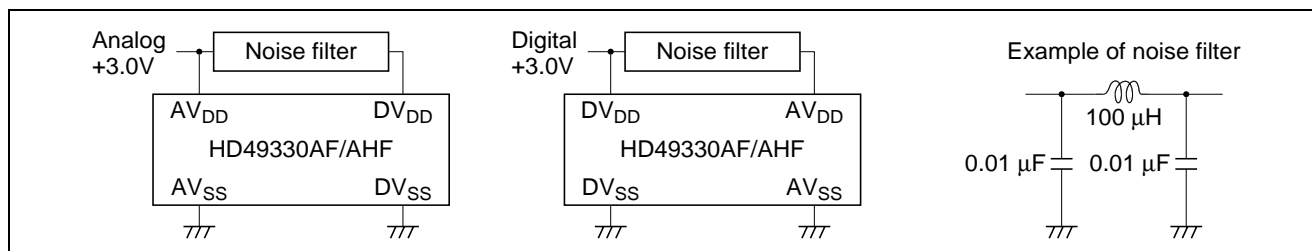
## Operation Sequence at Power On





## Notice for Use

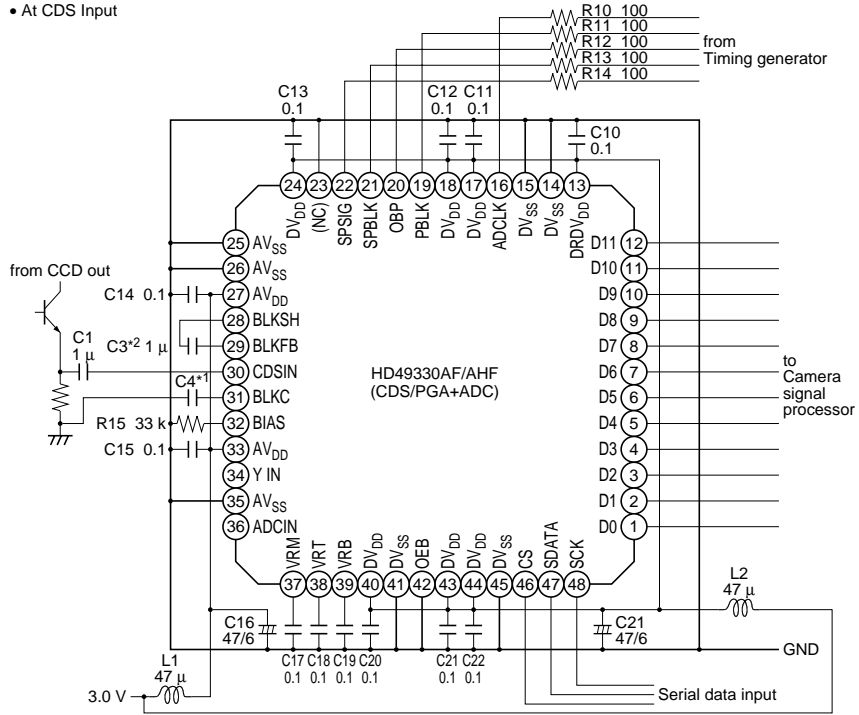
- Careful handling is necessary to prevent damage due to static electricity.
- This product has been developed for consumer applications, and should not be used in non-consumer applications.
- As this IC is sensitive to power line noise, the ground impedance should be kept as small as possible. Also, to prevent latchup, a ceramic capacitor of 0.1  $\mu\text{F}$  or more and an electrolytic capacitor of 10  $\mu\text{F}$  or more should be inserted between the ground and power supply.
- Common connection of  $\text{AV}_{\text{DD}}$  and  $\text{DV}_{\text{DD}}$  should be made off-chip. If  $\text{AV}_{\text{DD}}$  and  $\text{DV}_{\text{DD}}$  are isolated by a noise filter, the phase difference should be 0.3 V or less at power-on and 0.1 V or less during operation.
- If a noise filter is necessary, make a common connection after passage through the filter, as shown in the figure below.



- Connect  $\text{AV}_{\text{SS}}$  and  $\text{DV}_{\text{SS}}$  off-chip using a common ground. If there are separate analog system and digital system set grounds, connect to the analog system.
- When  $\text{V}_{\text{DD}}$  is specified in the data sheet, this indicates  $\text{AV}_{\text{DD}}$  and  $\text{DV}_{\text{DD}}$ .
- No Connection (NC) pins are not connected inside the IC, but it is recommended that they be connected to power supply or ground pins or left open to prevent crosstalk in adjacent analog pins.
- To ensure low thermal resistance of the package, a Cu-type lead material is used. As this material is less tolerant of bending than Fe-type lead material, careful handling is necessary.
- The infrared reflow soldering method should be used to mount the chip. Note that general heating methods such as solder dipping cannot be used.
- Serial communication should not be performed during the effective video period, since this will result in degraded picture quality. Also, use of dedicated ports is recommended for the SCK and SDATA signals used in the HD49330AF. If ports are to be shared with another IC, picture quality should first be thoroughly checked.
- At power-on, automatic adjustment of the offset voltage generated from PGA, ADC, etc., must be implemented in accordance with the power-on operating sequence (see page 16).

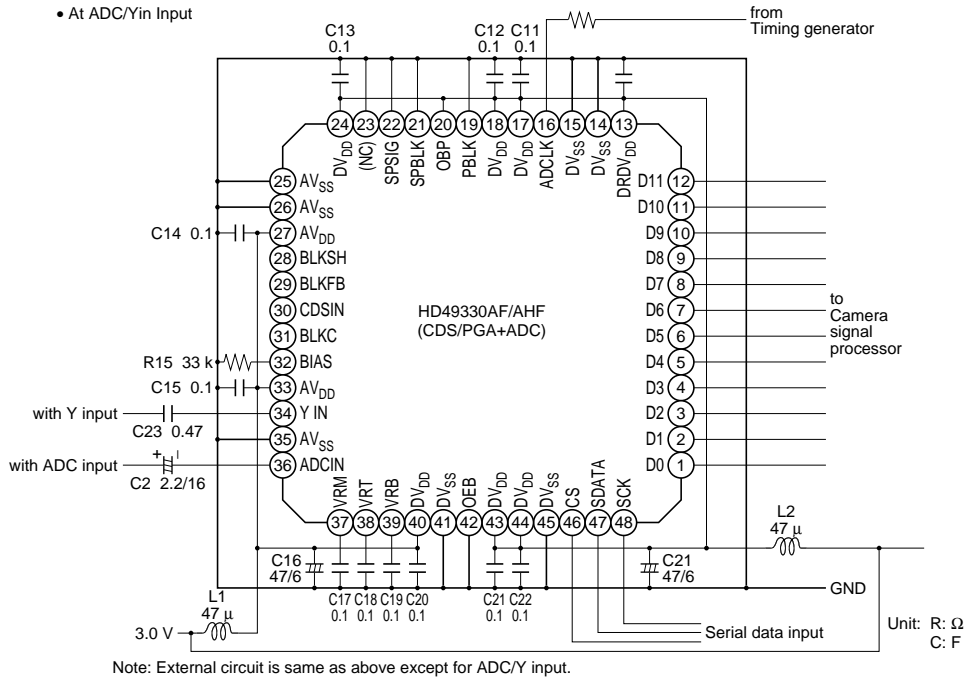
Example of Recommended External Circuit

• At CDS Input



Notes: 1. For C4, see table 5.  
2. For C3, see page 8 "DC Offset Compensation Feedback Function".

• At ADC/Yin Input

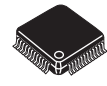
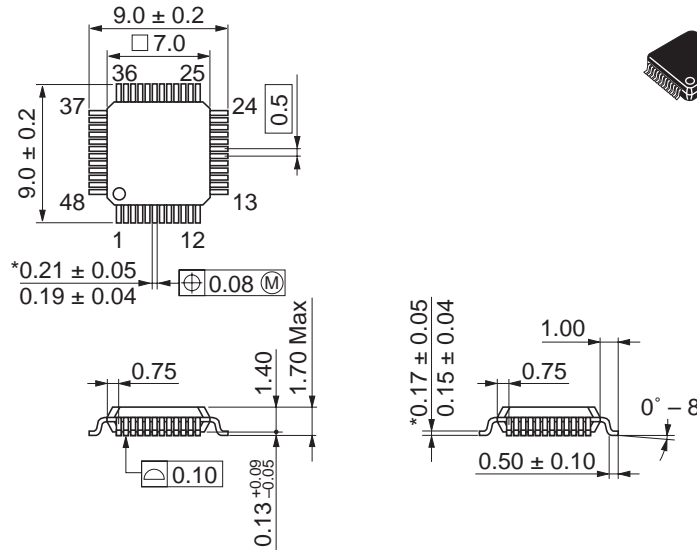


Note: External circuit is same as above except for ADC/Y input.

Unit: R: Ω  
C: F

Package Dimensions

As of January, 2003  
Unit: mm



\*Dimension including the plating thickness  
Base material dimension

Package Code	FP-48C
JEDEC	—
JEITA	Conforms
Mass (reference value)	0.2 g

**Renesas Technology Corp.** Sales Strategic Planning Div. Nippon Bldg., 2-6-2, Ohte-machi, Chiyoda-ku, Tokyo 100-0004, Japan

---

**Keep safety first in your circuit designs!**

1. Renesas Technology Corp. puts the maximum effort into making semiconductor products better and more reliable, but there is always the possibility that trouble may occur with them. Trouble with semiconductors may lead to personal injury, fire or property damage. Remember to give due consideration to safety when making your circuit designs, with appropriate measures such as (i) placement of substitutive, auxiliary circuits, (ii) use of nonflammable material or (iii) prevention against any malfunction or mishap.

**Notes regarding these materials**

1. These materials are intended as a reference to assist our customers in the selection of the Renesas Technology Corp. product best suited to the customer's application; they do not convey any license under any intellectual property rights, or any other rights, belonging to Renesas Technology Corp. or a third party.
  2. Renesas Technology Corp. assumes no responsibility for any damage, or infringement of any third-party's rights, originating in the use of any product data, diagrams, charts, programs, algorithms, or circuit application examples contained in these materials.
  3. All information contained in these materials, including product data, diagrams, charts, programs and algorithms represents information on products at the time of publication of these materials, and are subject to change by Renesas Technology Corp. without notice due to product improvements or other reasons. It is therefore recommended that customers contact Renesas Technology Corp. or an authorized Renesas Technology Corp. product distributor for the latest product information before purchasing a product listed herein.  
The information described here may contain technical inaccuracies or typographical errors.  
Renesas Technology Corp. assumes no responsibility for any damage, liability, or other loss rising from these inaccuracies or errors.  
Please also pay attention to information published by Renesas Technology Corp. by various means, including the Renesas Technology Corp. Semiconductor home page (<http://www.renesas.com>).
  4. When using any or all of the information contained in these materials, including product data, diagrams, charts, programs, and algorithms, please be sure to evaluate all information as a total system before making a final decision on the applicability of the information and products. Renesas Technology Corp. assumes no responsibility for any damage, liability or other loss resulting from the information contained herein.
  5. Renesas Technology Corp. semiconductors are not designed or manufactured for use in a device or system that is used under circumstances in which human life is potentially at stake. Please contact Renesas Technology Corp. or an authorized Renesas Technology Corp. product distributor when considering the use of a product contained herein for any specific purposes, such as apparatus or systems for transportation, vehicular, medical, aerospace, nuclear, or undersea repeater use.
  6. The prior written approval of Renesas Technology Corp. is necessary to reprint or reproduce in whole or in part these materials.
  7. If these products or technologies are subject to the Japanese export control restrictions, they must be exported under a license from the Japanese government and cannot be imported into a country other than the approved destination.  
Any diversion or reexport contrary to the export control laws and regulations of Japan and/or the country of destination is prohibited.
  8. Please contact Renesas Technology Corp. for further details on these materials or the products contained therein.
- 



**RENESAS SALES OFFICES**

<http://www.renesas.com>

**Renesas Technology America, Inc.**

450 Holger Way, San Jose, CA 95134-1368, U.S.A  
Tel: <1> (408) 382-7500 Fax: <1> (408) 382-7501

**Renesas Technology Europe Limited.**

Dukes Meadow, Millboard Road, Bourne End, Buckinghamshire, SL8 5FH, United Kingdom  
Tel: <44> (1628) 585 100, Fax: <44> (1628) 585 900

**Renesas Technology Europe GmbH**

Dornacher Str. 3, D-85622 Feldkirchen, Germany  
Tel: <49> (89) 380 70 0, Fax: <49> (89) 929 30 11

**Renesas Technology Hong Kong Ltd.**

7/F., North Tower, World Finance Centre, Harbour City, Canton Road, Hong Kong  
Tel: <852> 2265-6688, Fax: <852> 2375-6836

**Renesas Technology Taiwan Co., Ltd.**

FL 10, #99, Fu-Hsing N. Rd., Taipei, Taiwan  
Tel: <886> (2) 2715-2888, Fax: <886> (2) 2713-2999

**Renesas Technology (Shanghai) Co., Ltd.**

26/F., Ruijin Building, No.205 Maoming Road (S), Shanghai 200020, China  
Tel: <86> (21) 6472-1001, Fax: <86> (21) 6415-2952

**Renesas Technology Singapore Pte. Ltd.**

1, Harbour Front Avenue, #06-10, Keppel Bay Tower, Singapore 098632  
Tel: <65> 6213-0200, Fax: <65> 6278-8001

