



54VCXH162374

LOW VOLTAGE CMOS 16-BIT D-TYPE FLIP-FLOP (3-STATE) WITH 3.6V TOLERANT INPUTS AND OUTPUTS

- 3.6V TOLERANT INPUTS AND OUTPUTS
- HIGH SPEED :
 $t_{PD} = 3.4 \text{ ns (MAX.) at } V_{CC} = 3.0 \text{ to } 3.6\text{V}$
 $t_{PD} = 4.8 \text{ ns (MAX.) at } V_{CC} = 2.3 \text{ to } 2.7\text{V}$
- POWER DOWN PROTECTION ON INPUTS AND OUTPUTS
- SYMMETRICAL OUTPUT IMPEDANCE:
 $|I_{OH}| = I_{OL} = 12\text{mA (MIN) at } V_{CC} = 3.0\text{V}$
 $|I_{OH}| = I_{OL} = 8\text{mA (MIN) at } V_{CC} = 2.3\text{V}$
- 26Ω SERIE RESISTORS IN OUTPUTS
- OPERATING VOLTAGE RANGE:
 $V_{CC(OPR)} = 2.3\text{V to } 3.6\text{V}$
- PIN AND FUNCTION COMPATIBLE WITH 54 SERIES H162374
- BUS HOLD PROVIDED ON DATA INPUTS
- LATCH-UP PERFORMANCE EXCEEDS 300mA (JESD 17)
- ESD PERFORMANCE:
HBM > 2000V (MIL STD 883 method 3015);
MM > 200V
- 100 Krad mil. 1019.6 (RHA QUAL) CONDITION A
- NO SEL, NO SEU UNDER 72 Mev/cm²/mg LET HEAVY IONS IRRADIATION
- PRODUCT UNDER QML-V QUALIFICATION

DESCRIPTION

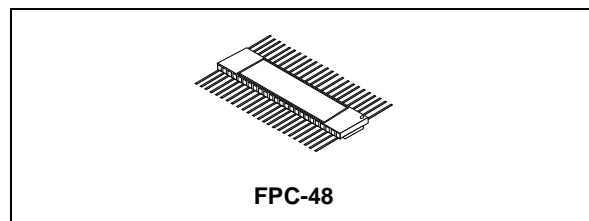
The 54VCXH162374 is a low voltage CMOS 16 BIT D-TYPE FLIP-FLOP with 3 STATE OUTPUTS NON INVERTING fabricated with sub-micron silicon gate and five-layer metal wiring C²MOS technology. It is ideal for low power and very high speed 2.3 to 3.6V applications; it can be interfaced to 3.6V signal environment for both inputs and outputs.

These 16 bit D-TYPE flip-flops are controlled by two clock inputs (nCK) and two output enable inputs (nOE).

On the positive transition of the (nCK), the nQ outputs will be set to the logic state that were setup at the nD inputs.

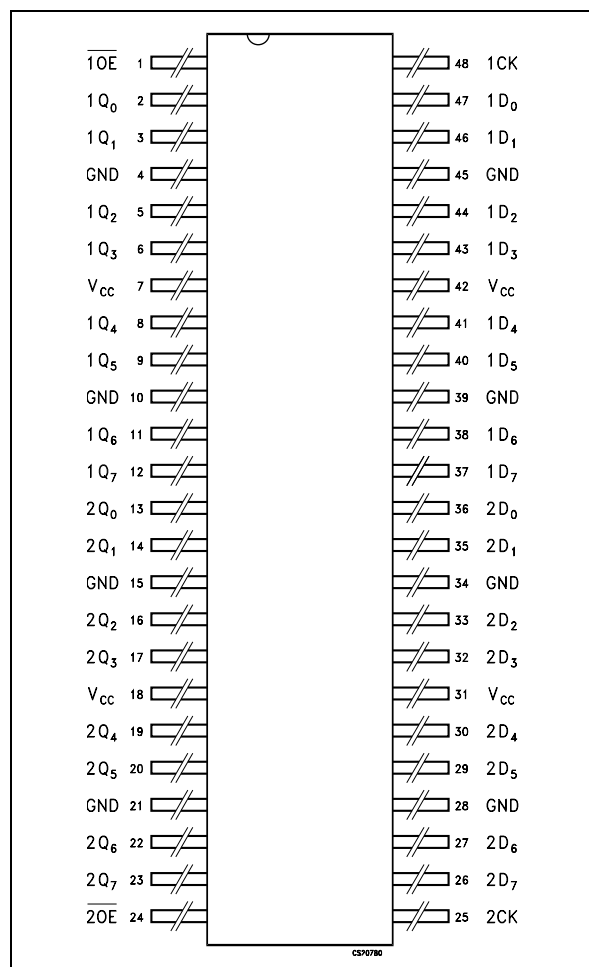
While the (nOE) input is low, the 8 outputs (nQ) will be in a normal state (HIGH or LOW logic level) and while high level the outputs will be in a high impedance state.

Any output control does not affect the internal operation of flip flops; that is, the old data can be



retained or the new data can be entered even while the outputs are off. Bus hold on data inputs is provided in order to eliminate the need for external pull-up or pull-down resistor.

PIN CONNECTION



The device circuits is including 26Ω series resistance in the outputs. These resistors permit to reduce line noise in high speed applications.

All inputs and outputs are equipped with protection circuits against static discharge, giving them 2KV ESD immunity and transient excess voltage.

Table 1: Ordering Codes

PACKAGE	SOLDER DIPPING	FLYING MODEL		ENGINEERING MODEL
		QML-V	QML-Q	
FPC-48	GOLD	RHRXH162374K01V	RHRXH162374K01Q	RHRXH162374K1 RHRXH162374K2 (*)
FPC-48	SOLDER	RHRXH162374K02V	RHRXH162374K02Q	

Table 1: (*) EM with 48 hours Burn-In

Figure 2: Input And Output Equivalent Circuit

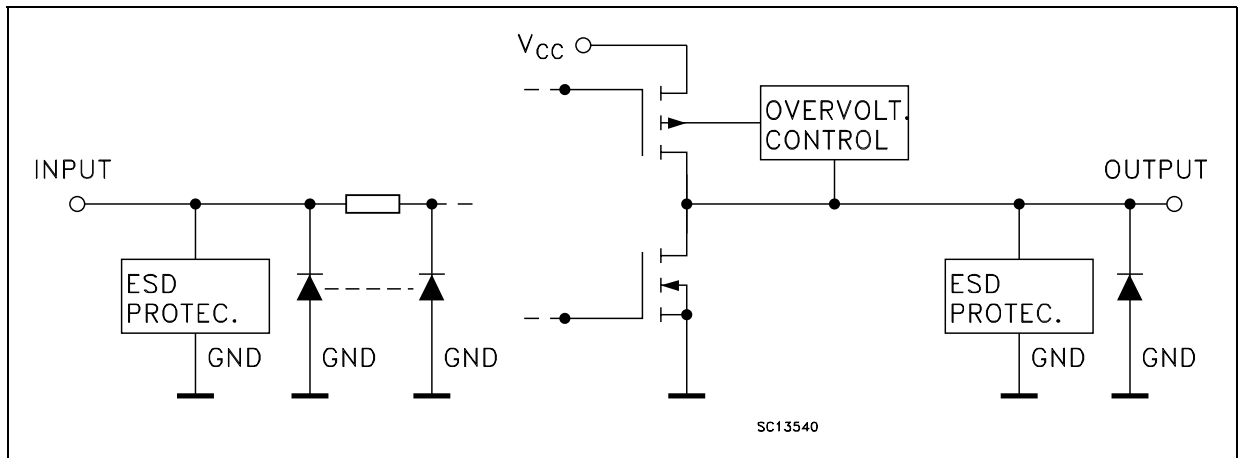


Table 2: Pin Description

PIN N°	SYMBOL	NAME AND FUNCTION
1	1OE	3 State Output Enable Input (Active LOW)
2, 3, 5, 6, 8, 9, 11, 12	1Q0 to 1Q7	3-State Outputs
13, 14, 16, 17, 19, 20, 22, 23	2Q0 to 2Q7	3-State Outputs
24	2OE	3 State Output Enable Input (Active LOW)
25	2CK	Clock Input
36, 35, 33, 32, 30, 29, 27, 26	2D0 to 2D7	Data Inputs
47, 46, 44, 43, 41, 40, 38, 37	1D0 to 1D7	Data Inputs
48	1CK	Clock Input
4, 10, 15, 21, 28, 34, 39, 45	GND	Ground (0V)
7, 18, 31, 42	V _{CC}	Positive Supply Voltage

Table 3: Truth Table

INPUTS			OUTPUT
\overline{OE}	CK	D	Q
H	X	X	Z
L		X	NO CHANGE*
L		L	L
L		H	H

X : Don't Care
Z : High Impedance

Figure 3: IEC Logic Symbols

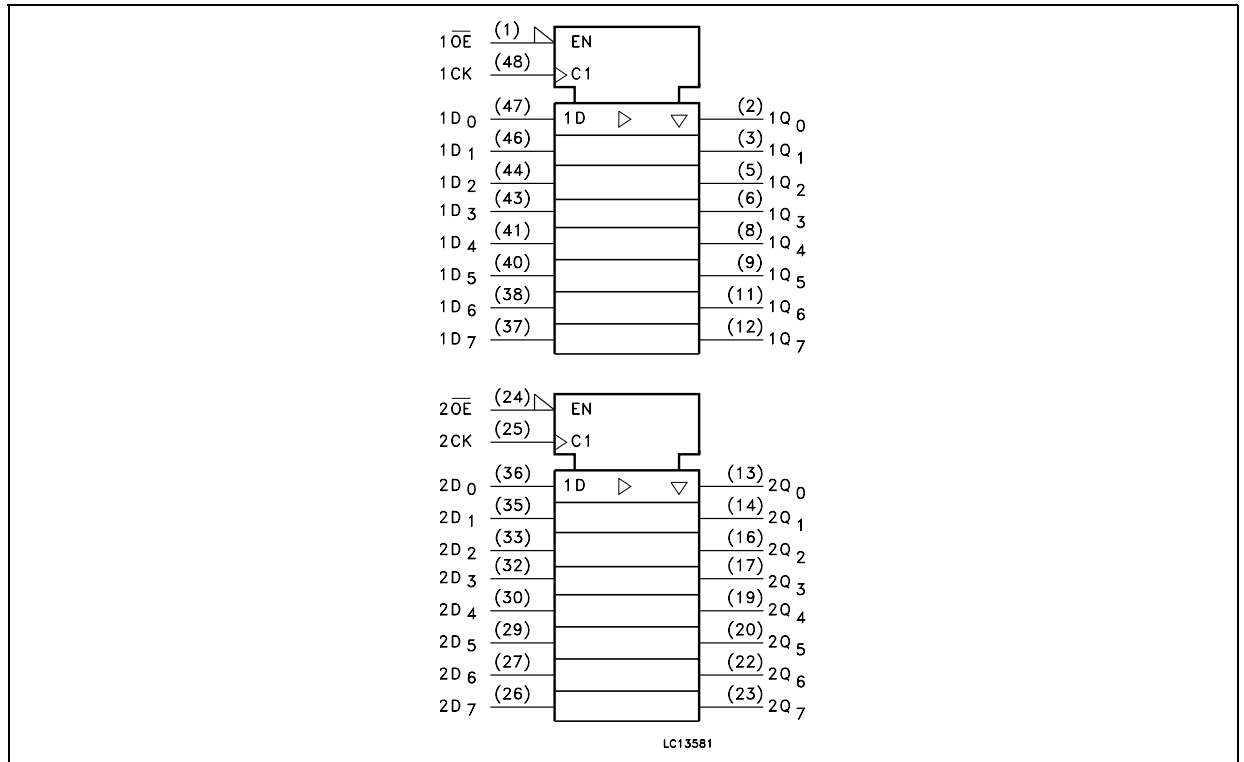
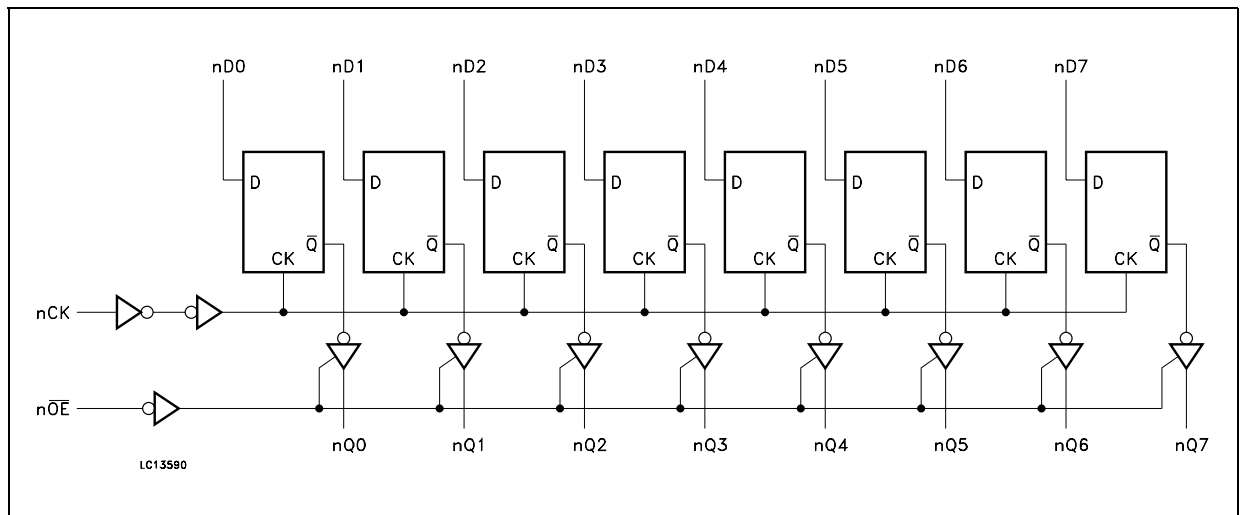


Figure 4: Logic Diagram



This logic diagram has not to be used to estimate propagation delays

Table 4: Absolute Maximum Ratings

Symbol	Parameter	Value	Unit
V_{CC}	Supply Voltage	-0.5 to +4.6	V
V_I	DC Input Voltage	-0.5 to +4.6	V
V_O	DC Output Voltage (OFF State)	-0.5 to +4.6	V
V_O	DC Output Voltage (High or Low State) (note 1)	-0.5 to $V_{CC} + 0.5$	V
I_{IK}	DC Input Diode Current	- 50	mA
I_{OK}	DC Output Diode Current (note 2)	- 50	mA
I_O	DC Output Current	± 50	mA
I_{CC} or I_{GND}	DC V_{CC} or Ground Current per Supply Pin	± 100	mA
P_D	Power Dissipation	400	mW
T_{stg}	Storage Temperature	-65 to +150	$^{\circ}C$
T_L	Lead Temperature (10 sec)	300	$^{\circ}C$

Absolute Maximum Ratings are those values beyond which damage to the device may occur. Functional operation under these conditions is not implied

1) I_O absolute maximum rating must be observed

2) $V_O < GND$, $V_O > V_{CC}$

Table 5: Recommended Operating Conditions

Symbol	Parameter	Value	Unit
V_{CC}	Supply Voltage	2.3 to 3.6	V
V_I	Input Voltage	-0.3 to 3.6	V
V_O	Output Voltage (OFF State)	0 to 3.6	V
V_O	Output Voltage (High or Low State)	0 to V_{CC}	V
I_{OH} , I_{OL}	High or Low Level Output Current ($V_{CC} = 3.0$ to $3.6V$)	± 12	mA
I_{OH} , I_{OL}	High or Low Level Output Current ($V_{CC} = 2.3$ to $2.7V$)	± 8	mA
T_{op}	Operating Temperature	-55 to 125	$^{\circ}C$
dt/dv	Input Rise and Fall Time (note 1)	0 to 10	ns/V

1) V_{IN} from 0.8V to 2V at $V_{CC} = 3.0V$

Table 6: DC Specifications ($2.7V < V_{CC} \leq 3.6V$ unless otherwise specified)

Symbol	Parameter	Test Condition		Value		Unit
		V _{CC} (V)		-55 to 125 °C		
				Min.	Max.	
V _{IH}	High Level Input Voltage	2.7 to 3.6		2.0		V
V _{IL}	Low Level Input Voltage				0.8	
V _{OH}	High Level Output Voltage	2.7 to 3.6	I _O =-100 μA	V _{CC} -0.2		V
		2.7	I _O =-6 mA	2.2		
		3.0	I _O =-8 mA	2.4		
			I _O =-12 mA	2.2		
V _{OL}	Low Level Output Voltage	2.7 to 3.6	I _O =100 μA		0.2	V
		2.7	I _O =6 mA		0.4	
		3.0	I _O =8 mA		0.55	
			I _O =12 mA		0.8	
I _I	Input Leakage Current	2.7 to 3.6	V _I = 0 to 3.6V		± 5	μA
I _{I(HOLD)}	Input Hold Current	3.0	V _I = 0.8V	75		μA
			V _I = 2V	-75		
		3.6	V _I = 0 to 3.6V		± 500	
I _{off}	Power Off Leakage Current	0	V _I or V _O = 0 to 3.6V		10	μA
I _{OZ}	High Impedance Output Leakage Current	2.7 to 3.6	V _I = V _{IH} or V _{IL} V _O = 0 to 3.6V		± 10	μA
I _{CC}	Quiescent Supply Current	2.7 to 3.6	V _I = V _{CC} or GND		20	μA
			V _I or V _O = V _{CC} to 3.6V		± 20	
ΔI _{CC}	I _{CC} incr. per Input	2.7 to 3.6	V _{IH} = V _{CC} - 0.6V		750	μA

Table 7: DC Specifications ($2.3V < V_{CC} \leq 2.7V$ unless otherwise specified)

Symbol	Parameter	Test Condition		Value		Unit
		V_{CC} (V)		-55 to 125 °C		
				Min.	Max.	
V_{IH}	High Level Input Voltage	2.3 to 2.7		1.6		V
V_{IL}	Low Level Input Voltage				0.7	
V_{OH}	High Level Output Voltage	2.3 to 2.7	$I_O = -100 \mu A$	$V_{CC} - 0.2$		V
		2.3	$I_O = -4 \text{ mA}$	2.0		
			$I_O = -6 \text{ mA}$	1.8		
			$I_O = -8 \text{ mA}$	1.7		
V_{OL}	Low Level Output Voltage	2.3 to 2.7	$I_O = 100 \mu A$		0.2	V
		2.3	$I_O = 6 \text{ mA}$		0.4	
			$I_O = 8 \text{ mA}$		0.6	
I_I	Input Leakage Current	2.3 to 2.7	$V_I = 0 \text{ to } 3.6V$		± 5	μA
$I_{I(HOLD)}$	Input Hold Current	2.3	$V_I = 0.7V$	45		μA
			$V_I = 1.7V$	-45		
I_{off}	Power Off Leakage Current	0	$V_I \text{ or } V_O = 0 \text{ to } 3.6V$		10	μA
I_{OZ}	High Impedance Output Leakage Current	2.3 to 2.7	$V_I = V_{IH} \text{ or } V_{IL}$ $V_O = 0 \text{ to } 3.6V$		± 10	μA
I_{CC}	Quiescent Supply Current	2.3 to 2.7	$V_I = V_{CC} \text{ or } GND$		20	μA
			$V_I \text{ or } V_O = V_{CC} \text{ to } 3.6V$		± 20	

Table 8: Dynamic Switching Characteristics ($T_a = 25^\circ C$, Input $t_r = t_f = 2.0ns$, $C_L = 30pF$, $R_L = 500\Omega$)

Symbol	Parameter	Test Condition		Value			Unit
		V_{CC} (V)		$T_A = 25^\circ C$			
				Min.	Typ.	Max.	
V_{OLP}	Dynamic Low Voltage Quiet Output (note 1, 3)	2.5	$V_{IL} = 0V$		0.25		V
		3.3	$V_{IH} = V_{CC}$		0.35		
V_{OLV}	Dynamic Low Voltage Quiet Output (note 1, 3)	2.5	$V_{IL} = 0V$		-0.25		V
		3.3	$V_{IH} = V_{CC}$		-0.35		
V_{OHV}	Dynamic High Voltage Quiet Output (note 2, 3)	2.5	$V_{IL} = 0V$		2.05		V
		3.3	$V_{IH} = V_{CC}$		2.65		

1) Number of outputs defined as "n". Measured with "n-1" outputs switching from HIGH to LOW or LOW to HIGH. The remaining output is measured in the LOW state.

2) Number of outputs defined as "n". Measured with "n-1" outputs switching from HIGH to LOW or LOW to HIGH. The remaining output is measured in the HIGH state.

3) Parameters guaranteed by design.

Table 9: AC Electrical Characteristics ($C_L = 30\text{pF}$, $R_L = 500\Omega$, Input $t_r = t_f = 2.0\text{ns}$)

Symbol	Parameter	Test Condition		Value		Unit
		V_{CC} (V)		-55 to 125 °C		
				Min.	Max.	
t_{PLH} t_{PHL}	Propagation Delay Time CK to Qn	2.3 to 2.7		1.0	5.5	ns
		3.0 to 3.6		0.8	4.5	
t_{PZL} t_{PZH}	Output Enable Time	2.3 to 2.7		1.0	6.2	ns
		3.0 to 3.6		0.8	4.5	
t_{PLZ} t_{PHZ}	Output Disable Time	2.3 to 2.7		1.0	5.1	ns
		3.0 to 3.6		0.8	4.6	
t_s	Setup Time, HIGH or LOW level Dn to CK	2.3 to 2.7		1.0		ns
		3.0 to 3.6		1.0		
t_h	Hold Time High or LOW level Dn to CK	2.3 to 2.7		1.5		ns
		3.0 to 3.6		1.5		
t_w	CK Pulse Width, HIGH	2.3 to 2.7		1.5		ns
		3.0 to 3.6		1.5		
f_{MAX}	Clock Pulse Frequency	2.3 to 2.7		190		MHz
		3.0 to 3.6		235		
t_{OSLH} t_{OSHL}	Output To Output Skew Time (note1, 2)	2.3 to 2.7			0.5	ns
		3.0 to 3.6			0.5	

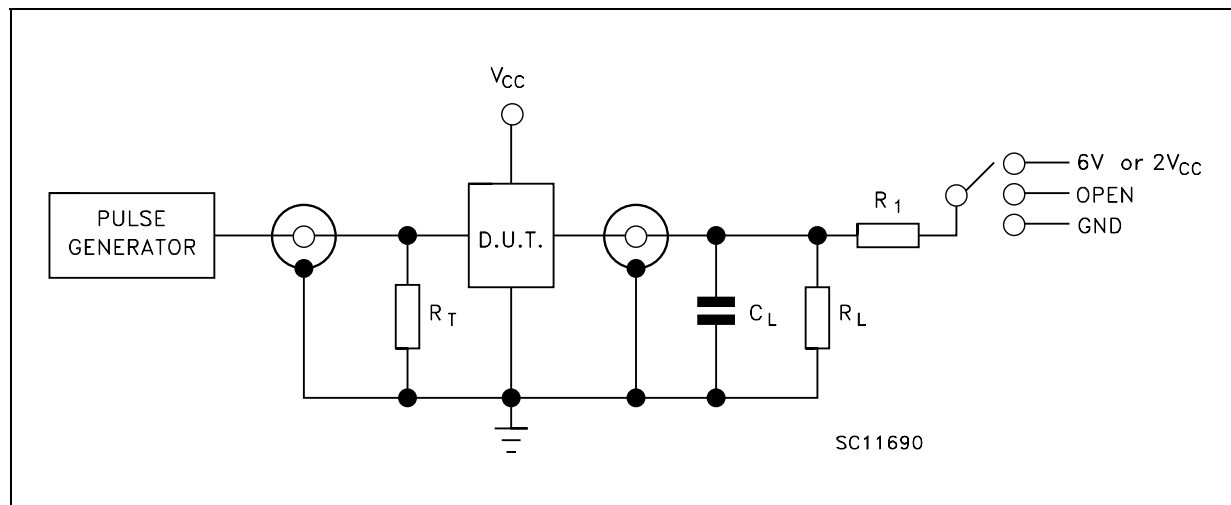
1) Skew is defined as the absolute value of the difference between the actual propagation delay for any two outputs of the same device switching in the same direction, either HIGH or LOW ($t_{OSLH} = |t_{PLHm} - t_{PLHn}|$, $t_{OSHL} = |t_{PHLm} - t_{PHLn}|$)
2) Parameter guaranteed by design

Table 10: Capacitive Characteristics

Symbol	Parameter	Test Condition		Value			Unit
		V_{CC} (V)		$T_A = 25\text{ °C}$			
				Min.	Typ.	Max.	
C_{IN}	Input Capacitance	2.5 or 3.3	$V_{IN} = 0$ or V_{CC}		6		pF
C_{OUT}	Output Capacitance	2.5 or 3.3	$V_{IN} = 0$ or V_{CC}		7		pF
C_{PD}	Power Dissipation Capacitance (note 1)	2.5 or 3.3	$f_{IN} = 10\text{MHz}$ $V_{IN} = 0$ or V_{CC}		20		pF

1) C_{PD} is defined as the value of the IC's internal equivalent capacitance which is calculated from the operating current consumption without load. (Refer to Test Circuit). Average operating current can be obtained by the following equation. $I_{CC(opr)} = C_{PD} \times V_{CC} \times f_{IN} + I_{CC}/16$ (per circuit)

Figure 5: Test Circuit



TEST	SWITCH
t_{PLH} , t_{PHL}	Open
t_{PZL} , t_{PLZ} ($V_{CC} = 3.0$ to $3.6V$)	6V
t_{PZL} , t_{PLZ} ($V_{CC} = 2.3$ to $2.7V$)	$2V_{CC}$
t_{PZH} , t_{PHZ}	GND

$C_L = 30$ pF or equivalent (includes jig and probe capacitance)

$R_L = R_1 = 500\Omega$ or equivalent

$R_T = Z_{OUT}$ of pulse generator (typically 50Ω)

Table 11: Waveform Symbol Values

Symbol	V_{CC}	
	3.0 to 3.6V	2.3 to 2.7V
V_{IH}	2.7V	V_{CC}
V_M	1.5V	$V_{CC}/2$
V_X	$V_{OL} + 0.3V$	$V_{OL} + 0.15V$
V_Y	$V_{OH} - 0.3V$	$V_{OH} - 0.15V$

Figure 6: Waveform - nCK TO Qn Propagation Delays, nCK Maximum Frequency, Dn TO nCK Setup And Hold Times (f=1MHz; 50% duty cycle)

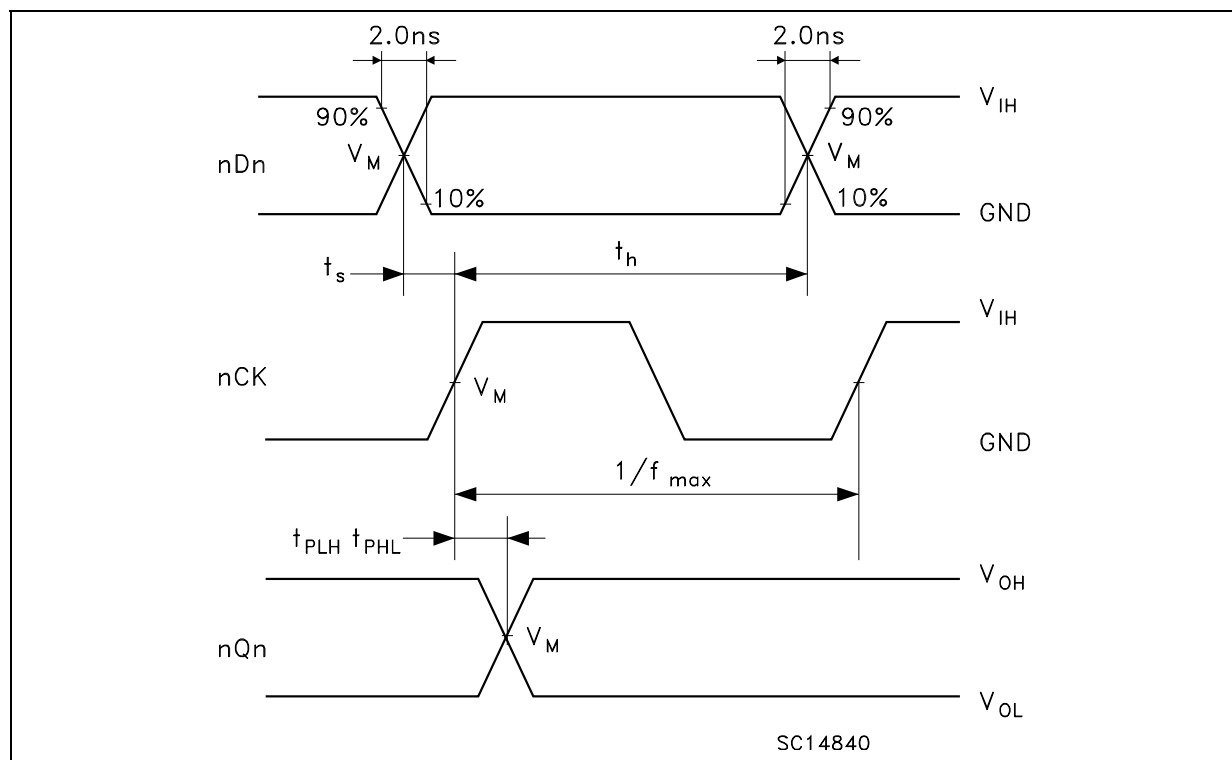


Figure 7: Waveform - Output Enable And Disable Time (f=1MHz; 50% duty cycle)

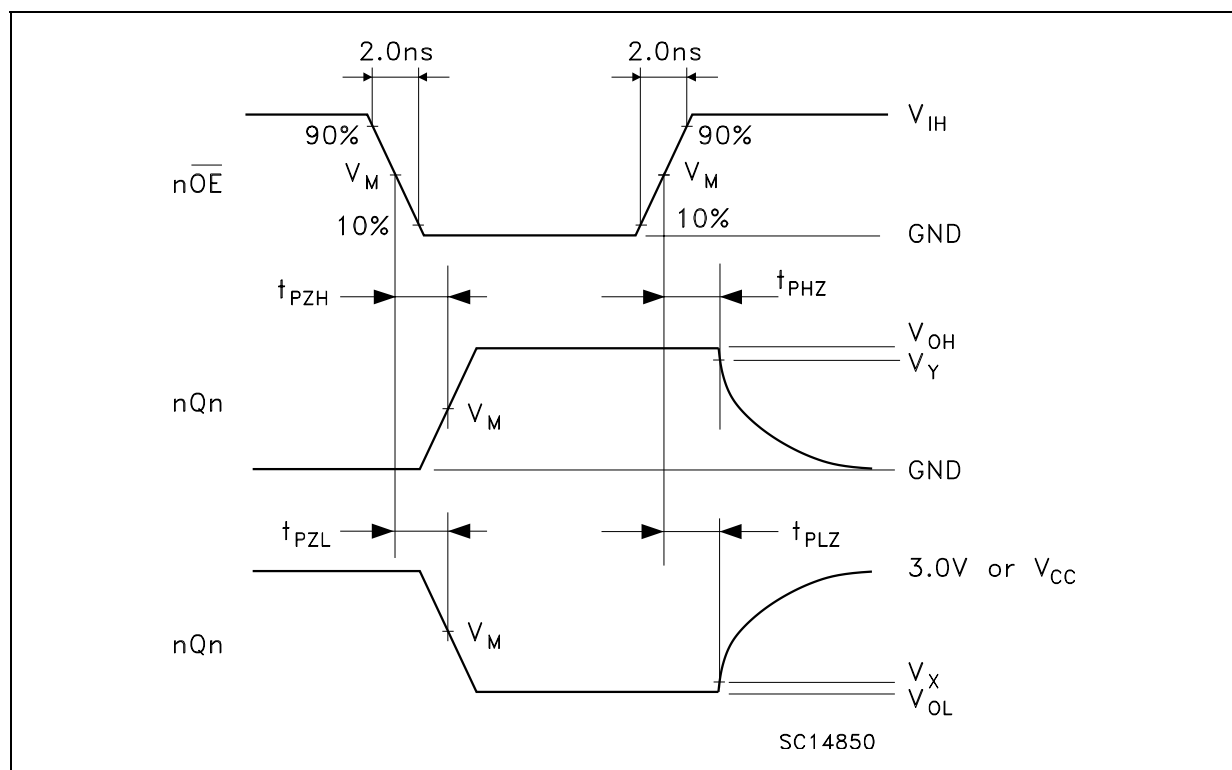
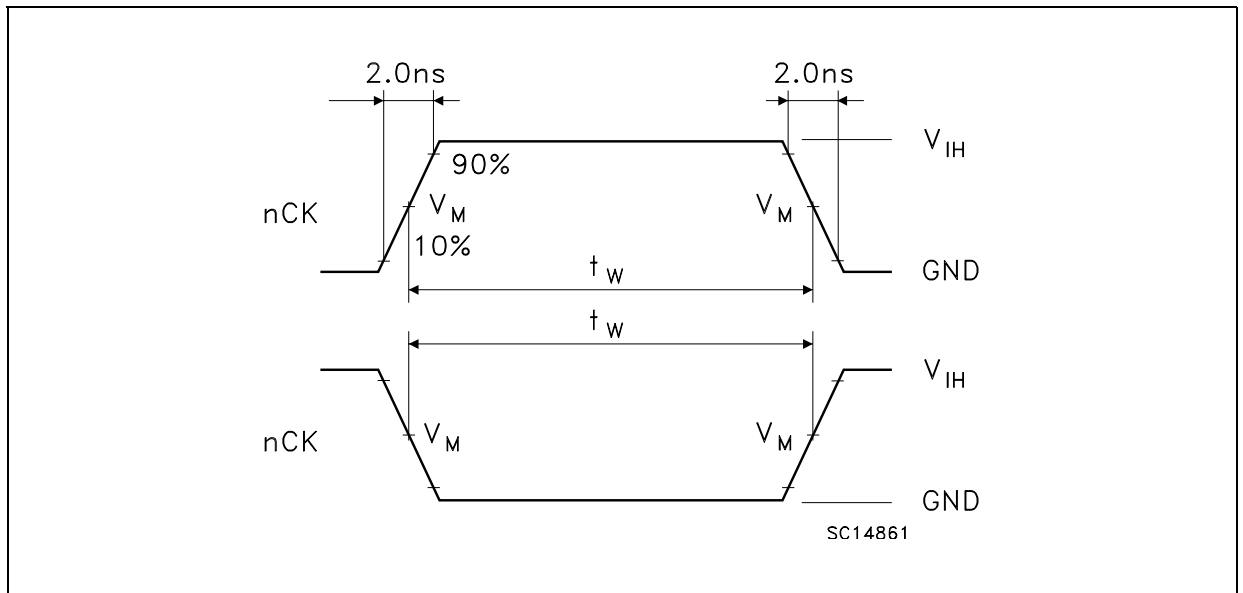


Figure 8: Waveform - nCK Minimum Pulse Width (f=1MHz; 50% duty cycle)



FPC-48 (MIL-STD-1835) MECHANICAL DATA

DIM.	mm.			inch		
	MIN.	TYP	MAX.	MIN.	TYP.	MAX.
A	2.18		2.72	0.086		0.107
b		0.254			0.010	
c		0.15			0.006	
D		15.75			0.620	
E		9.65			0.380	
E2		6.35			0.250	
e		0.635			0.025	
L		8.38			0.330	
Q	0.66		1.14	0.026		0.045
S1		0.13			0.005	

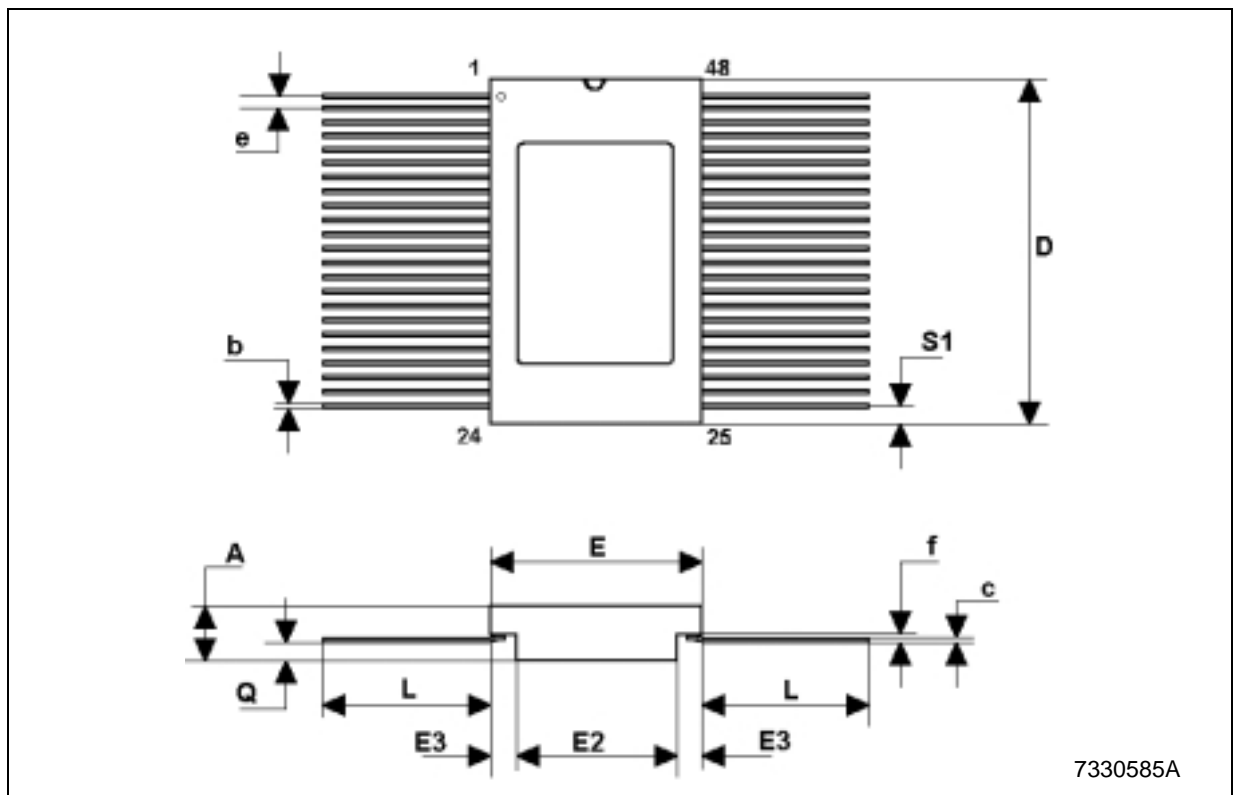


Table 12: Revision History

Date	Revision	Description of Changes
09-Jul-2004	1	First Release

Information furnished is believed to be accurate and reliable. However, STMicroelectronics assumes no responsibility for the consequences of use of such information nor for any infringement of patents or other rights of third parties which may result from its use. No license is granted by implication or otherwise under any patent or patent rights of STMicroelectronics. Specifications mentioned in this publication are subject to change without notice. This publication supersedes and replaces all information previously supplied. STMicroelectronics products are not authorized for use as critical components in life support devices or systems without express written approval of STMicroelectronics.

The ST logo is a registered trademark of STMicroelectronics
All other names are the property of their respective owners

© 2004 STMicroelectronics - All Rights Reserved
STMicroelectronics GROUP OF COMPANIES

Australia - Belgium - Brazil - Canada - China - Czech Republic - Finland - France - Germany - Hong Kong - India - Israel - Italy - Japan -
Malaysia - Malta - Morocco - Singapore - Spain - Sweden - Switzerland - United Kingdom - United States.

<http://www.st.com>