

# Customer Information Sheet

DRAWING No.: H3175-XX

SHEET 2 OF 2

IF IN DOUBT - ASK

(C)

NOT TO SCALE

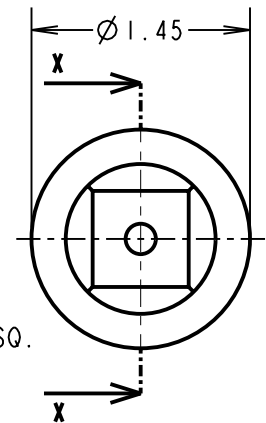
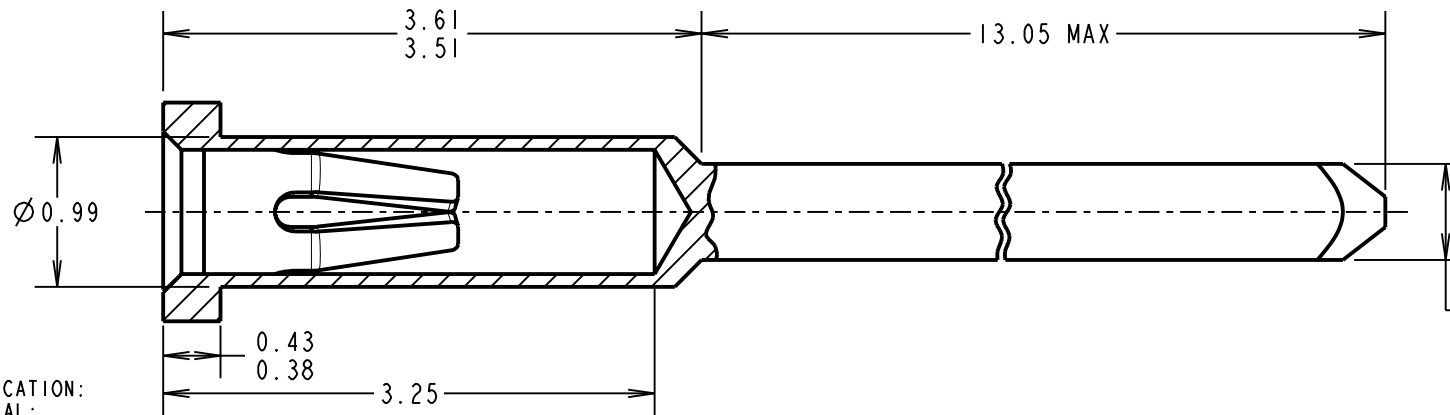
THIRD ANGLE PROJECTION

ALL DIMENSIONS IN mm

**NOTES:**

1. MAXIMUM CONTACT DEPTH = 2.16mm.
2. RECOMMENDED HOLE SIZE =  $\varnothing 1.10/1.00\text{mm}$
3. RECOMMENDED PIN SIZE =  $\varnothing 0.53-0.41\text{mm}$ .
4. MAXIMUM PIN LENGTH = 3.15mm.

PART SECTION X-X



**SPECIFICATION:**

**MATERIAL:**

CONTACT SHELL = BRASS  
CONTACT CLIP = BERYLLIUM COPPER

**FINISH:**

01 = 0.10 $\mu$  GOLD CLIP, 4 $\mu$  TIN SHELL  
05 = 0.10 $\mu$  GOLD CLIP, 0.13 $\mu$  GOLD SHELL  
46 = 1.3 $\mu$  100% TIN CLIP, 4 $\mu$  TIN SHELL

**ELECTRICAL:**

CURRENT RATING AT = 2 AMPS MAX  
CONTACT RESISTANCE (INITIAL) = 10 MILLIOHMS MAX

**MECHANICAL:**

INSERTION FORCE ( $\varnothing 0.5\text{mm}$  GAUGE) = 6N MAX  
WITHDRAWAL FORCE ( $\varnothing 0.5\text{mm}$  GAUGE) =  $\varnothing 0.5\text{N}$  MIN

**DURABILITY:**

01, 05 = 500 OPERATIONS  
46 = 50 OPERATIONS

**ENVIRONMENTAL:**

OPERATING TEMPERATURE = -55°C TO +125°C  
FOR COMPLETE SPECIFICATION, SEE COMPONENT SPECIFICATION C006XX (LATEST ISSUE).

ORDER CODE:

**H3175-XX**

FINISH:

01 = TIN SHELL, GOLD CLIP  
05 = GOLD SHELL, GOLD CLIP  
46 = 100% TIN SHELL & TIN CLIP

CP	7	11.12.09	10573
NAME	ISS.	DATE	C/NOTE
APPROVED: C.PENROSE			
CHECKED: R.ADDE			
DRAWN: J.CLAY			
CUSTOMER REF.:			
ASSEMBLY DRG:			

**HARWIN**

HARWIN USA TEL: 603 893 5376 FAX: 603 893 5396 mis@harwin.com	HARWIN Europe (UK) TEL: 023 9231 4545 FAX: 023 9231 4590 mis@harwin.co.uk	HARWIN Asia TEL: +65 6 779 4909 FAX: +65 6 779 3868 mis@harwin.com.sg
--	--	--

THIS DRAWING AND ANY INFORMATION OR DESCRIPTIVE MATTER SET OUT HEREON ARE CONFIDENTIAL AND COPYRIGHT PROPERTY OF THE HARWIN GROUP AND MUST NOT BE DISCLOSED, LOANED, COPIED OR USED FOR MANUFACTURING, TENDERING OR FOR ANY OTHER PURPOSE WITHOUT THEIR WRITTEN PERMISSION.

**TOLERANCES**

X. =  $\pm 1\text{mm}$   
X.X =  $\pm 0.25\text{mm}$   
X.XX =  $\pm 0.10\text{mm}$   
X.XXX =  $\pm 0.01\text{mm}$

ANGLES =  $\pm 5^\circ$

UNLESS STATED

**MATERIAL:**

SEE ABOVE

FINISH: SEE ABOVE

S/AREA: mm<sup>2</sup>

**TITLE:**

SUB MINIATURE SOCKET ASSY  
WIRE WRAP (3 LEVEL)

DRAWING NUMBER:

**H3175-XX**

SHT  
2 OF 2