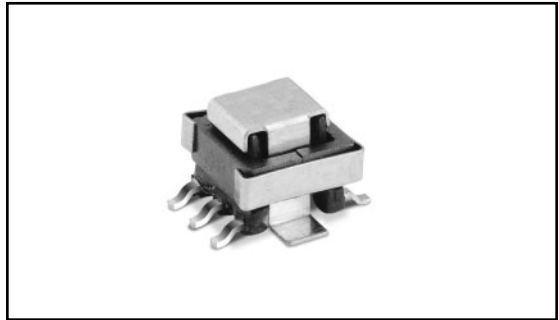


MODEL HM33 SERIES

Current Sense Surface Mount Transformers



FEATURES AND BENEFITS

- Surface mount design
- Compatible with surface mount process temperatures
- Designed for switching supply applications
- Optimal performance at 250 kHz and above
- Five standard turns ratios
- Custom designs available

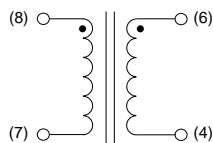
APPLICATIONS

- Switching power supplies
- AC current detection
- Output supply for control circuitry
- Appliances
- Medical equipment
- Office equipment

ELECTRICAL / ENVIRONMENTAL

Insulation Resistance, Minimum	10 Megohms
Operating Temperature Range	-25°C to +105°C
Insulation System	Class B, 130°C

SCHEMATIC

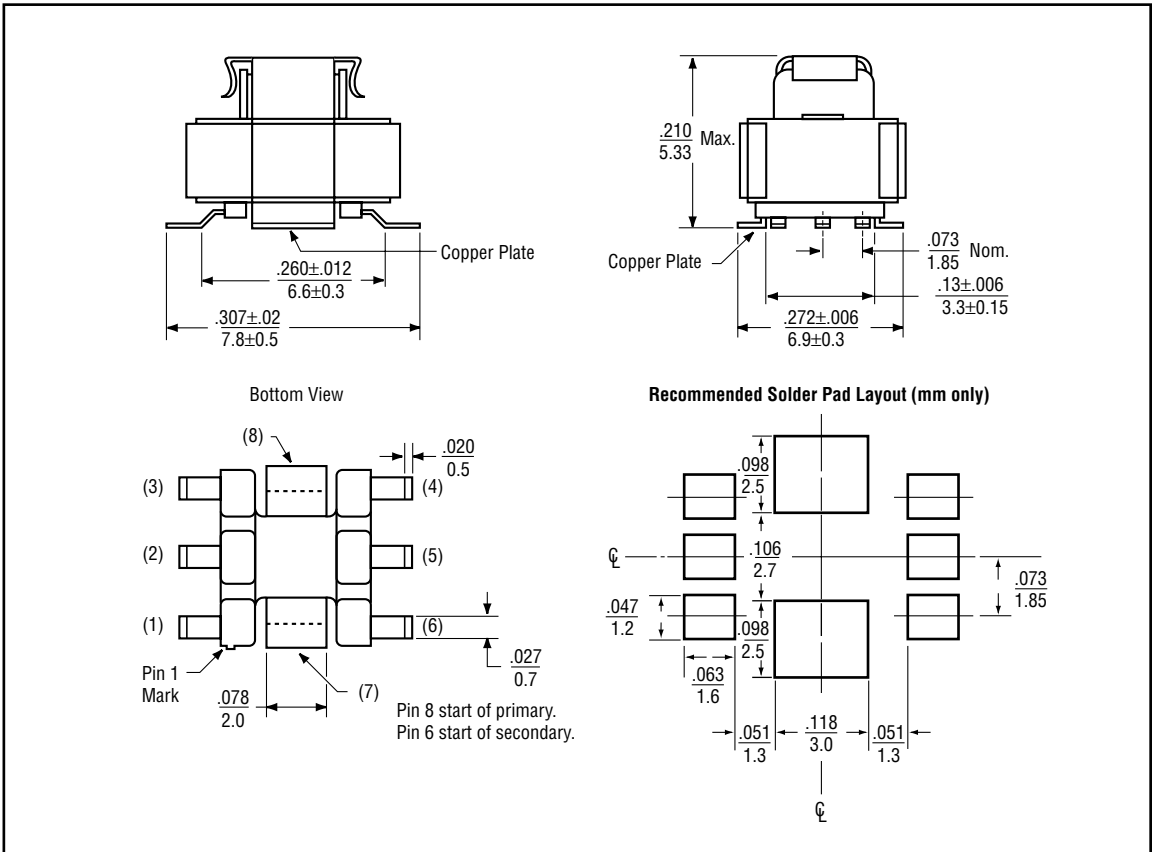


Specifications subject to change without notice.
Last Update: 01/08/2003.

SPECIFICATIONS @ 25°C

Part Number	Turns N1:N2 @ 10 kHz	Secondary Inductance $\mu\text{H Min.}$	Secondary DC Resistance $\Omega \text{ Max.}$	Primary Amps Max.	Color Code
HM33-10125	1:125	3000	7.70	6	White
HM33-10070	1:70	980	4.75	6	Yellow
HM33-10050	1:50	500	2.50	6	Green
HM33-10040	1:40	320	1.35	6	Blue
HM33-10030	1:30	180	1.00	6	Red

OUTLINE DIMENSIONS (Inch/mm)



PACKAGING

Standard: Embossed Tape & Reel

Reel Diameter:	=	13" (330.2mm)
Capacity:	=	750 Units

ORDERING INFORMATION

Model Series ———— **HM33** **10** **135**

Turns Ratio

Style