



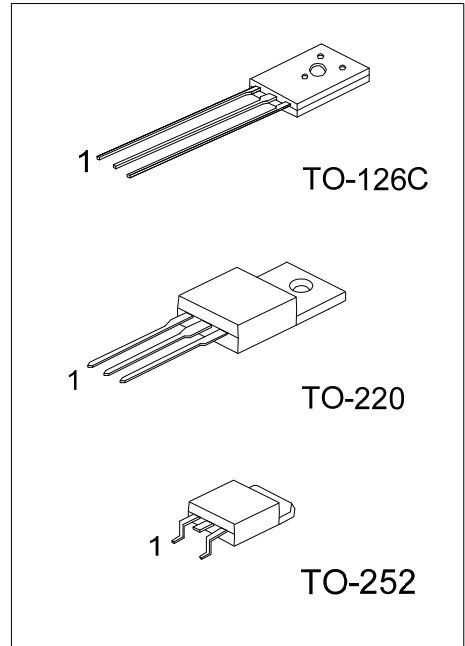
2SB857

PNP SILICON TRANSISTOR

SILICON PNP TRANSISTOR

■ **DESCRIPTION**

Low frequency power amplifier.



Lead-free: 2SB857L
Halogen-free: 2SB857G

■ **ORDERING INFORMATION**

Order Number			Package	Pin Assignment			Packing
Normal	Lead Free	Halogen Free		1	2	3	
2SB857-x-T6C-K	2SB857L-x-T6C-K	2SB857G-x-T6C-K	TO-126C	E	C	B	Bulk
2SB857-x-TA3-T	2SB857L-x-TA3-T	2SB857G-x-TA3-T	TO-220	B	C	E	Tube
2SB857-x-TN3-R	2SB857L-x-TN3-R	2SB857G-x-TN3-R	TO-252	B	C	E	Tape Reel

<p>2SB857L-x-T6C-K</p> <p>(1)Packing Type</p> <p>(2)Package Type</p> <p>(3)Rank</p> <p>(4)Lead Plating</p>	<p>(1) K: Bulk, R: Tape Reel, T: Tube</p> <p>(2) T6C: TO-126C, TA3: TO-220, TN3: TO-252</p> <p>(3) x: refer to Classification of h_{FE2}</p> <p>(4) G: Halogen Free, L: Lead Free, Blank: Pb/Sn</p>
--	--

■ ABSOLUTE MAXIMUM RATING (Ta=25°C)

PARAMETER		SYMBOL	RATINGS	UNIT
Collector-Base Voltages		V_{CBO}	-130	V
Collector-Emitter Voltage		V_{CEO}	-100	V
Emitter-Base Voltage		V_{EBO}	-5	V
Collector Current		I_C	-4	A
Collector Current (I_C Peak)		$I_{C(PK)}$	-8	A
Total Power Dissipation ($T_C=25^\circ\text{C}$)	TO-126C	P_D	10	W
	TO-220		40	W
	TO-252		20	W
Junction Temperature		T_J	+150	°C
Storage Temperature		T_{STG}	-50~+150	°C

Note: Absolute maximum ratings are those values beyond which the device could be permanently damaged. Absolute maximum ratings are stress ratings only and functional device operation is not implied.

■ ELECTRICAL CHARACTERISTICS (Ta=25°C)

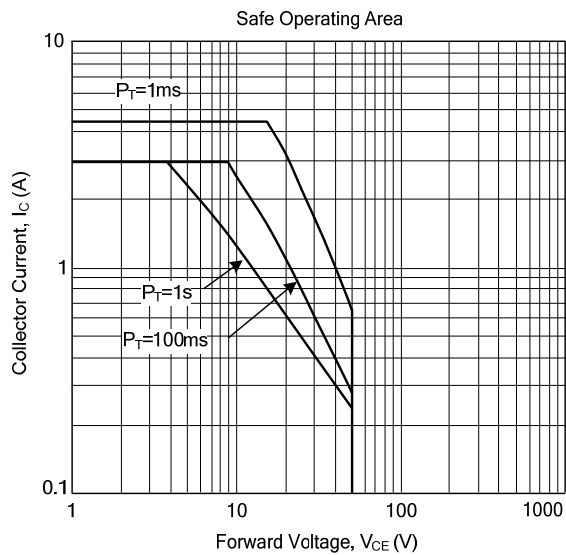
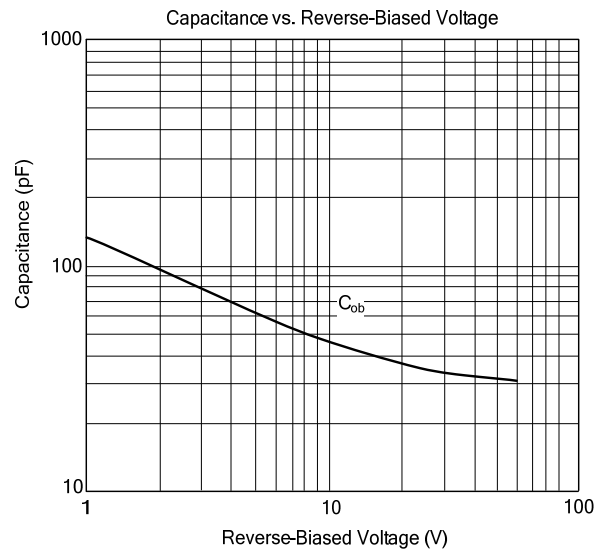
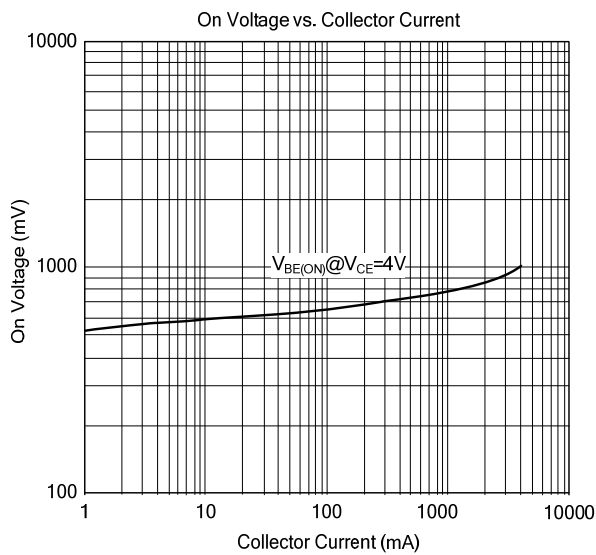
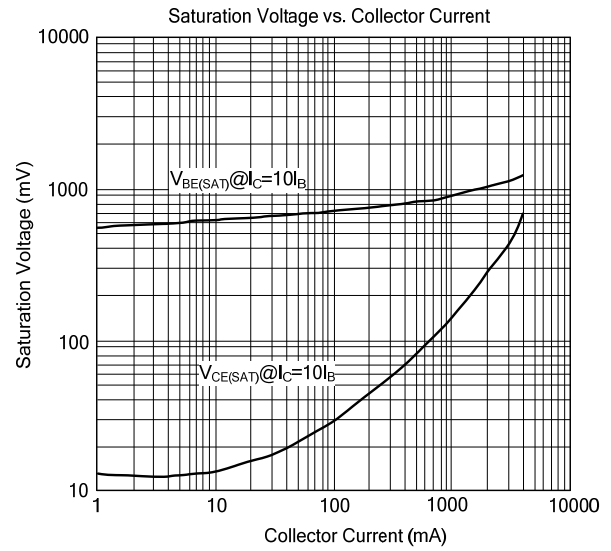
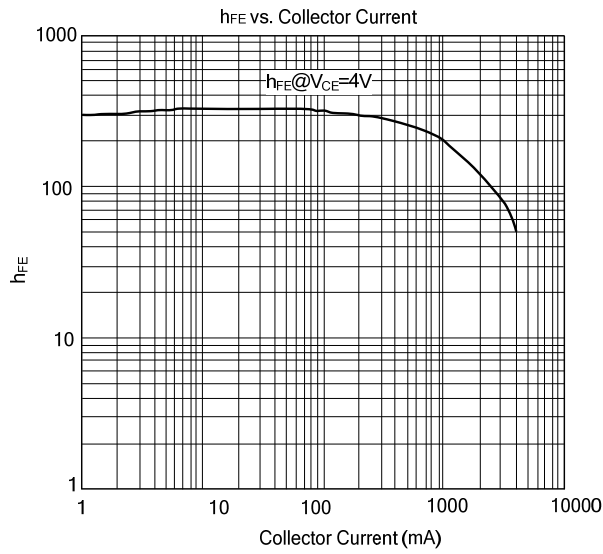
PARAMETER	SYMBOL	TEST CONDITIONS	MIN	TYP	MAX	UNIT
Collector-Base Breakdown Voltage	BV_{CBO}	$I_C=-10\mu\text{A}, I_E=0$	-130			V
Collector-Emitter Breakdown Voltage	BV_{CEO}	$I_C=-50\text{mA}, I_B=0$	-100			V
Emitter-Base Breakdown Voltage	BV_{EBO}	$I_E=-10\mu\text{A}, I_C=0$	-5			V
Collector-Emitter Saturation Voltage	$V_{CE(SAT)}$	$I_C=-2\text{A}, I_B=-0.2\text{A}$ (Note)			-1	V
Base-Emitter Saturation Voltage	$V_{BE(ON)}$	$V_{CE}=-4\text{V}, I_C=-1\text{A}$ (Note)			-1	V
Collector Cut-off Current	I_{CBO}	$V_{CB}=-130\text{V}, I_C=0$			-1	μA
DC Current Gain	h_{FE1}	$V_{CE}=-4\text{V}, I_C=-0.1\text{A}$ (Note)	35			
	h_{FE2}	$V_{CE}=-4\text{V}, I_C=-1\text{A}$ (Note)	60		320	
Transition Frequency	f_T	$V_{CE}=-4\text{V}, I_C=-500\text{mA}, f=100\text{MHz}$		15		MHz

Note: Pulse Test: Pulse Width $\leq 380\mu\text{s}$, Duty Cycle $\leq 2\%$.

■ CLASSIFICATION OF h_{FE2}

CLASSIFICATION	B	C	D
RANGE	60 ~ 120	100 ~ 200	160 ~ 320

TYPICAL CHARACTERISTICS



UTC assumes no responsibility for equipment failures that result from using products at values that exceed, even momentarily, rated values (such as maximum ratings, operating condition ranges, or other parameters) listed in products specifications of any and all UTC products described or contained herein. UTC products are not designed for use in life support appliances, devices or systems where malfunction of these products can be reasonably expected to result in personal injury. Reproduction in whole or in part is prohibited without the prior written consent of the copyright owner. The information presented in this document does not form part of any quotation or contract, is believed to be accurate and reliable and may be changed without notice.