

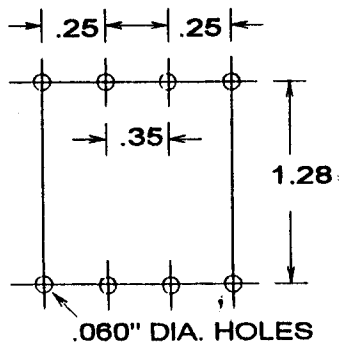
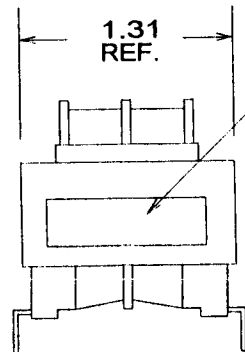
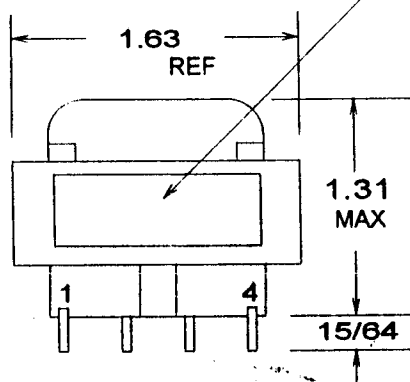
TOLERANCE UNLESS SPECIFIED = .XXX = +/- .005 .XX = +/- .015 FRACTIONS = +/- .032

FS16-400.DC2

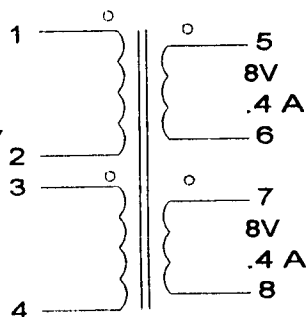
YYWW = YEAR, WEEK  
XXX = SITECODE

**M** MagneTek - Triad  
FS16-400  
CLASS B C **UL** US

EIA-17-YYWW  
XXX B10



115/230 V  
50/60 HZ



## PRODUCTION TESTS

DC RESISTANCE IN OHMS	1-2 = 230 TO 283
	3-4 = 287 TO 350
	5-6 = 1.4 TO 2.0
	7-8 = 1.7 TO 2.5

MAX EXCITATION CURRENT = .015 A  
APPLY = 230V 60 HZ, 1-4, TIE 2+3

OPEN CIRCUIT VOLTAGE TEST:  
230V 60 HZ, 1-4, TIE 2+3  
1-2 = 3-4 = 114.5 TO 115.5 V  
5-6 = 7-8 = 9.4 TO 9.9 V  
HIPOT: 2500V PRI'S TO SEC'S  
1500V PRI'S, SEC'S, TO CORE  
500V P-P, S-S.

CONTINUITY = 100% PRIMARY  
IMPREGNATION NOTES = 2 HOUR PREHEAT  
PINS MUST BE FREE OF IMPREG.

### FINAL ASSEMBLY NOTES

**M** MagneTek

PART NO. FS16-400

METHOD

1 X 1

MARKING

SEE LABEL DETAIL ABOVE