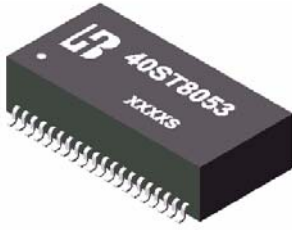


40 PIN SMD ETHERNET 10 BASE DUAL PORT TRANSFORMER

P/N: 40ST8053 DATA SHEET

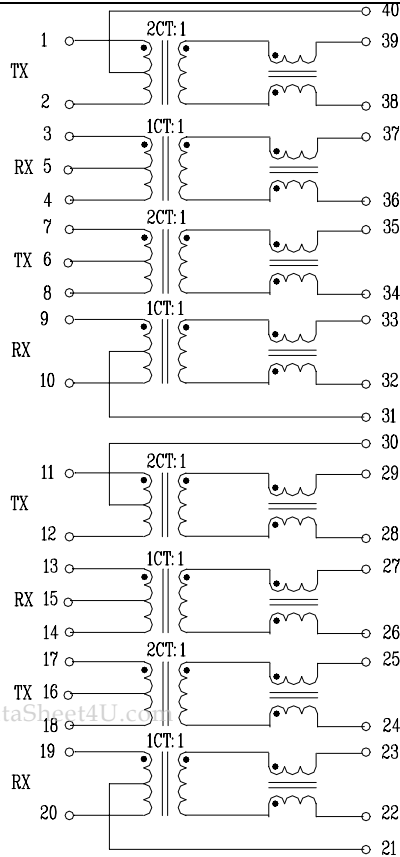
Feature



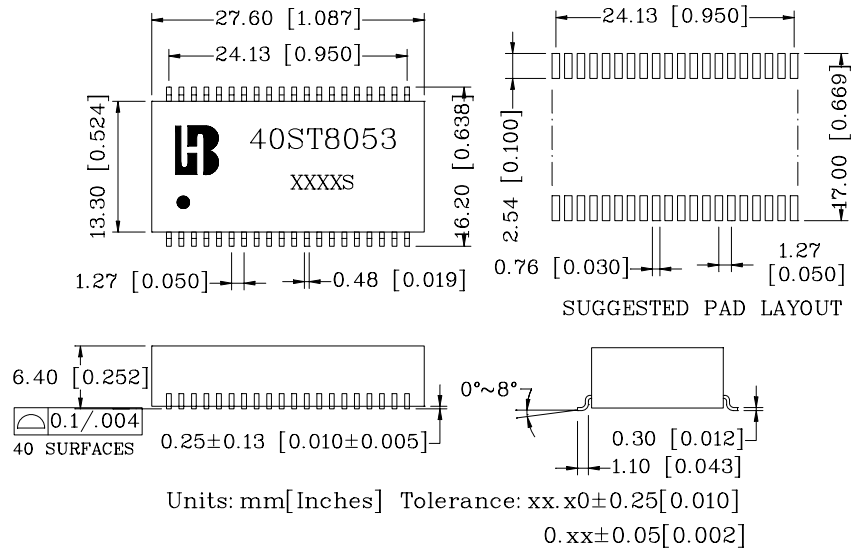
- IEEE 802.3 Ethernet compatible.
- 40 PIN SMD package.
- Customer designs available for specific application.
- Operating temperature range : 0°C to +70°C.
- Storage temperature range: -25°C to +125°C.

Electrical Specifications @ 25°C								
Part Number	Turns Ratio (±5%)		OCL (•H Min)	L.L (•H Max)		Cw/w (pF Max)	DCR(Ω Max) RX/TX	HI-POT (Vrms Max) @ 1mA
	TX	RX		TX	RX			
40ST8053	2CT:1	1CT:1	140	0.8	0.4	15	0.4	1200
Continue								
Part Number	Peak Pulse Rating (Volts)	Dissipation Rating (mW)	Insulation Resistance (MΩ)@50V _{DC}	DCMR (dB Min)				
				1-60MHz	60-200 MHz			
40ST8053	50	75	10,000	-37	-25			

Schematic



Mechanical



www.DataSheet4U.com