

PLEASE CHECK WWW.MOLEX.COM FOR LATEST PART INFORMATION

Part Number: [0456600001](#)
Status: **Active**
Description: 7.50mm (.295") Power Dock Plug 250V, Gold Zone Both Sides of Blade, 1 Circuit, 0.75µm (30µ") Select Gold (Au)

Documents:

[3D Model](#)
[Drawing \(PDF\)](#)

[RoHS Certificate of Compliance \(PDF\)](#)

Agency Certification

CSA LR19980
 UL E29179

General

Product Family PCB Headers
 Series [45660](#)
 Application Board-to-Board
 Product Name N/A

Physical

Breakaway No
 Circuits (Loaded) 1
 Circuits (maximum) 1
 Durability (mating cycles max) 250
 First Mate / Last Break No
 Flammability 94V-0
 Glow-Wire Compliant No
 Guide to Mating Part Yes
 Keying to Mating Part None
 Lock to Mating Part None
 Material - Metal Copper
 Material - Plating Mating Gold, Tin
 Material - Plating Termination Tin
 Number of Rows 1
 Orientation Vertical
 PC Tail Length (in) 0.177 In
 PC Tail Length (mm) 4.50 mm
 PCB Locator No
 PCB Retention None
 PCB Thickness Recommended (in) 0.093 In
 PCB Thickness Recommended (mm) 2.36 mm
 Packaging Type Tray
 Pitch - Mating Interface (in) 0.000 In
 Pitch - Mating Interface (mm) 0.00 mm
 Pitch - Term. Interface (in) 0.118 In
 Pitch - Term. Interface (mm) 3.00 mm
 Plating min: Mating (µin) 150, 30
 Plating min: Mating (µm) 0.75, 3.75
 Plating min: Termination (µin) 150
 Plating min: Termination (µm) 3.75
 Polarized to Mating Part Yes
 Polarized to PCB No
 Shrouded No
 Stackable No
 Surface Mount Compatible (SMC) Yes
 Temperature Range - Operating -40°C to +105°C

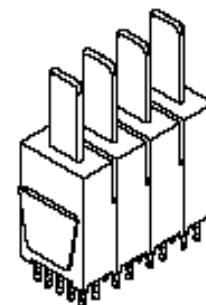


image - Reference only

Series

EU RoHS

ELV and RoHS Compliant
REACH SVHC
 Not Reviewed
Halogen-Free Status
Not Reviewed

China RoHS



Need more information on product environmental compliance?

Email productcompliance@molex.com
 For a multiple part number RoHS Certificate of Compliance, [click here](#)

Please visit the [Contact Us](#) section for any non-product compliance questions.

Search Parts in this Series

[45660Series](#)

Mates With

[45819-0001](#) Receptacle

Termination Interface: Style Through Hole - Compliant Pin

Electrical

Current - Maximum per Contact 45A
Voltage - Maximum 600V

Solder Process Data

Duration at Max. Process Temperature (seconds) 5
Lead-free Process Capability Wave Capable (TH only)
Max. Cycles at Max. Process Temperature 1
Process Temperature max. C 250

Material Info

Reference - Drawing Numbers

Sales Drawing SD-45660-004

This document was generated on 03/25/2010

PLEASE CHECK WWW.MOLEX.COM FOR LATEST PART INFORMATION

6

5

4

3

2

1

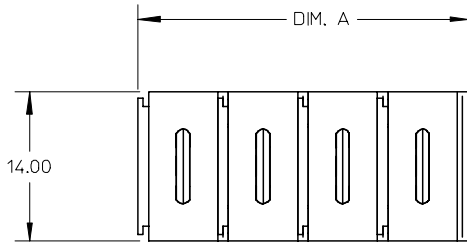
CKTS	PART NUMBER	DIM. "A"
1	45660-0001	8.50
2	45660-0002	16.00
4	45660-0004	31.00
4	45660-9004	31.00

*SEE NOTE 2

- NOTES:
- MATERIAL: LCP, GLASS FILLED, UL94V-0, BLACK
CONTACTS: COPPER ALLOY
 - FINISH: SELECT GOLD: 30 M.I.MIN
SELECT TIN: 100 M.I.MIN
BOTH OVER NICKEL
FINISH 2 (45660-9004 ONLY)
SELECT GOLD: 30 M.I.MIN
SELECT TIN/LEAD: 100 M.I.MIN
BOTH OVER NICKEL
 - PRODUCT SPECIFICATION: PS-45424-001
 - PACKAGING SPECIFICATION: PK-45482-001
 - PCB HOLE SPECIFICATION: PS-45424-001
 - MATES TO RECEPTACLE P/N 45819-0001
 - INSERTION FORCE INTO PCB 25 LB/PIN.
 - THIS PART IS RoHS COMPLIANT. SEE ES-45482-999 FOR LABEL REQUIREMENTS. 45660-9004 IS COMPLIANT BY EXEMPTION.

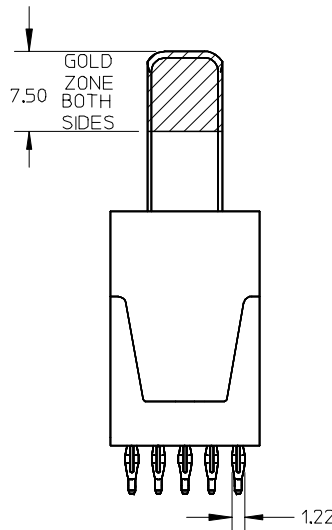
D

D



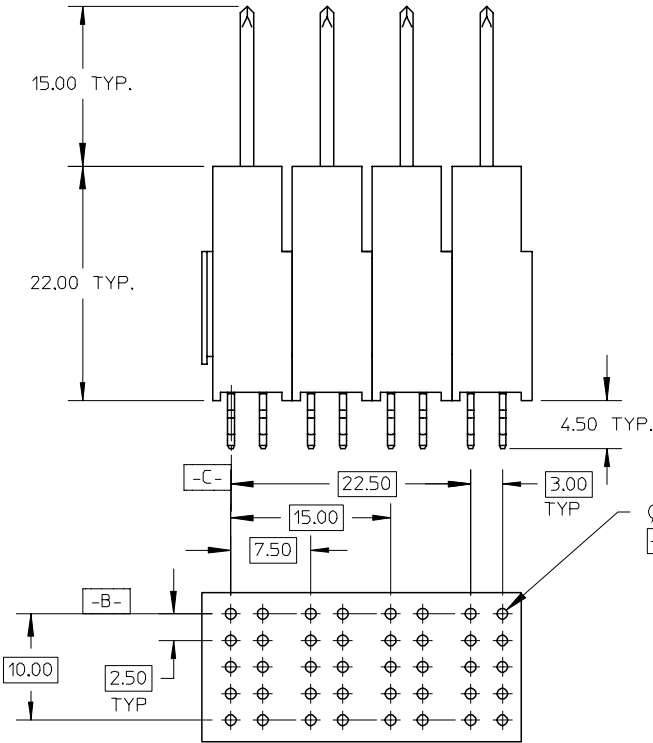
C

C

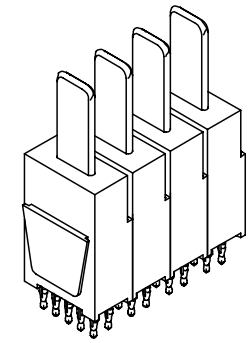


B

B



PCB LAYOUT: COMPONENT SIDE
PCB THICKNESS: .093/2.36 MIN



A

A

ADD FINISH 2	2007/11/12
EC NO: UCP2008-1065	2007/11/12
DRWN: JSCHAFFER	
CHKD: JSCHAFFER	
APPR: APATEL	
REV	DESCRIPTION

QUALITY SYMBOLS	DESCRIPTION
▽=0	
▽=0	

GENERAL TOLERANCES (UNLESS SPECIFIED)	
4 PLACES	± --- ±
3 PLACES	± --- ±
2 PLACES	± 0.25 ±
1 PLACE	± 0.38 ±
ANGULAR ± 1/2°	
DRAFT WHERE APPLICABLE MUST REMAIN WITHIN DIMENSIONS	

DIMENSION STYLE		SCALE	DESIGN UNITS	THIRD ANGLE PROJECTION
MM ONLY		1:1	METRIC	
DRAWN BY	DATE	TITLE		
JSCHAFFER	9-15-2006	POWER DOCK ASSEMBLY POWER PLUG 250V, CPI CUSTOM STACK HEIGHT		
CHECKED BY	DATE	MATERIAL NO.		
APATEL	9-18-2006	DOCUMENT NO.		
APPROVED BY	DATE	SHEET NO.		
APATEL	9-25-2006	1 OF 1		
SEE CHART		THIS DRAWING CONTAINS INFORMATION THAT IS PROPRIETARY TO MOLEX INCORPORATED AND SHOULD NOT BE USED WITHOUT WRITTEN PERMISSION		

MATERIAL NO.		DOCUMENT NO.		SHEET NO.	
SEE CHART		SD-45660-004		1 OF 1	