

**PLEASE CHECK WWW.MOLEX.COM FOR LATEST PART INFORMATION**

**Part Number:** [0850480969](#)  
**Status:** **Active**  
**Overview:** [din\\_41612](#)  
**Description:** 2.54mm (.100") Pitch DIN 41612/IEC 603-2 Mixed Layout Connector, Through Hole, Vertical, Female Style M, 32 Circuits, Lead free

**Documents:**

[3D Model](#) [RoHS Certificate of Compliance \(PDF\)](#)  
[Drawing \(PDF\)](#)

**Agency Certification**

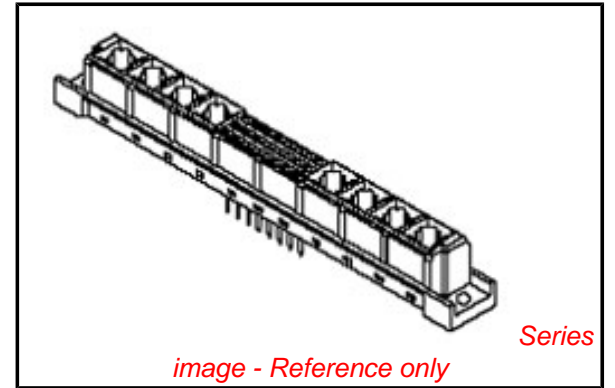
CSA LR19980  
 UL E29179

**General**

Product Family Backplane Connectors  
 Series [85048](#)  
 Application Backplane  
 Comments Mixed Layout  
 Component Type PCB Receptacle  
 Overview [din\\_41612](#)  
 Product Name IEC 603-2/DIN 41612  
 Style M

**Physical**

Circuits (Loaded) 32  
 Circuits (maximum) 32  
 Circuits Detail Rows A, B & C  
 Durability (mating cycles max) 400  
 First Mate / Last Break No  
 Flammability 94V-0  
 Guide to Mating Part No  
 Keying to Mating Part Yes  
 Material - Metal Copper Alloy  
 Material - Plating Mating Gold  
 Material - Plating Termination Tin  
 Number of Columns 8  
 Number of Pairs Open Pin Field  
 Number of Rows 3  
 Orientation Vertical  
 PC Tail Length (in) 0.114 In  
 PC Tail Length (mm) 2.90 mm  
 PCB Locator No  
 PCB Retention Yes  
 Packaging Type Carton  
 Pitch - Mating Interface (in) 0.100 In  
 Pitch - Mating Interface (mm) 2.54 mm  
 Pitch - Term. Interface (in) 0.100 In  
 Pitch - Term. Interface (mm) 2.54 mm  
 Plating min: Mating (µin) 24  
 Plating min: Mating (µm) 0.60  
 Polarized to PCB Yes  
 Stackable No  
 Surface Mount Compatible (SMC) No  
 Temperature Range - Operating -55°C to +125°C  
 Termination Interface: Style Through Hole



**EU RoHS**

**ELV and RoHS Compliant**  
**REACH SVHC**  
 Not Reviewed  
**Halogen-Free Status**  
**Not Reviewed**

**China RoHS**



**Need more information on product environmental compliance?**

Email [productcompliance@molex.com](mailto:productcompliance@molex.com)  
 For a multiple part number RoHS Certificate of Compliance, [click here](#)

Please visit the [Contact Us](#) section for any non-product compliance questions.

**Search Parts in this Series**

[85048Series](#)

**Mates With**

DIN 41612/EIC 603-2 Mixed Layout Connector [85009](#) , [85017](#)

**Use With**

[85022](#)

**Electrical**

Current - Maximum per Contact	1A
Data Rate	622.0 Mbps
Real Signals (per 25mm)	30
Voltage - Maximum	250V AC (RMS)

**Solder Process Data**

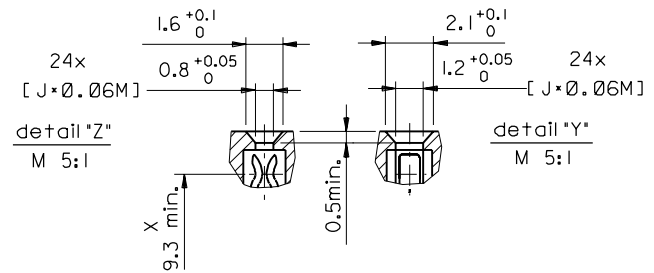
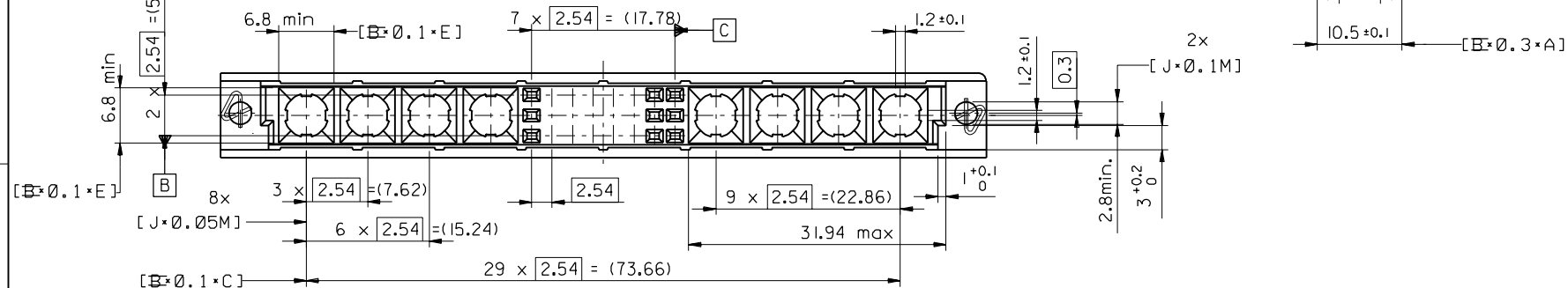
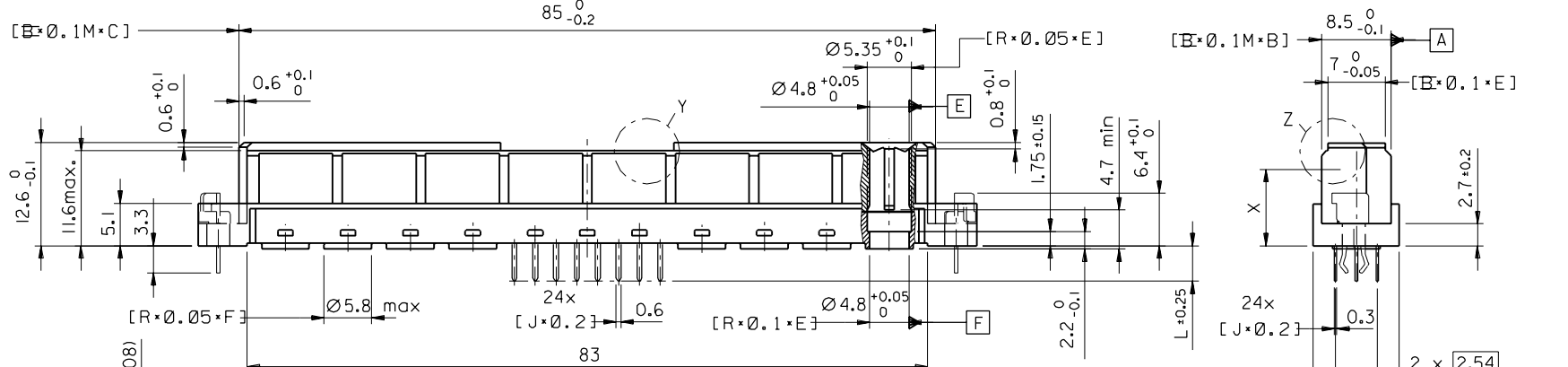
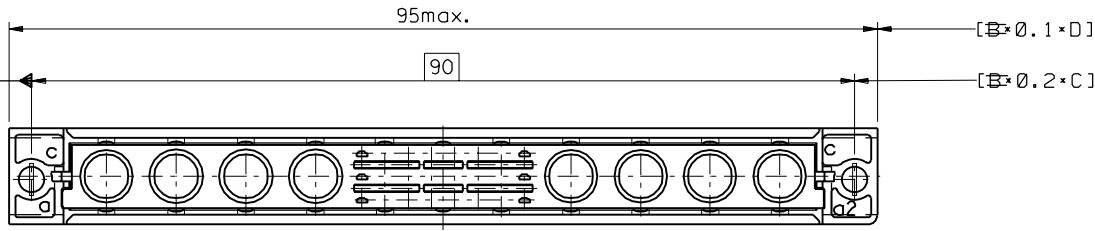
Duration at Max. Process Temperature (seconds)	10
Lead-free Process Capability	Wave Capable (TH only)
Process Temperature max. C	260

**Material Info****Reference - Drawing Numbers**

Packaging Specification	PK-85048-001
Sales Drawing	SD-85048-0004, SD-85048-0969

This document was generated on 05/17/2010

**PLEASE CHECK [WWW.MOLEX.COM](http://WWW.MOLEX.COM) FOR LATEST PART INFORMATION**



FIRST ANGLE PROJECTION		REVISE ONLY ON CAD SYSTEM		SH.	REV.
UNLESS OTHERWISE SPECIFIED TOLERANCES: ANGULAR ±2°		DRWG BY	SIGN	CAD/CAM PROJECT NAME	
INCH METRIC		KN		85048000 841	
3 PLACE ± ±		CHK'D BY	SIGN	THIS DRAWING CONTAINS INFORMATION THAT IS PROPRIETARY TO MOLEX INC. & SHOULD NOT BE USED WITHOUT WRITTEN PERMISSION	
2 PLACE ± ±		Ca		TITLE	
1 PLACE ± ±		APP'D BY	SIGN	24 pol. Federleiste 24 pos. female connector DIN 41612, style M	
DRAFT WHERE APPLICABLE MUST REMAIN WITHIN DIMENSIONS		JB		MOLEX EUROPE	
DESIGN DIMENSION <input checked="" type="checkbox"/> MM		SCALE		SHEET NO. DATE	
EQUIVALENT DIMENSION <input type="checkbox"/> MM		2:1		1 OF 1 97/04/14	
IF TWO DIMENSIONS ARE SHOWN THE UPPER IS THE DESIGN DIMENSION, LOWER IS SECONDARY		PART NO.		DWG NO.	
		SD-85048-0004		SIZE	
				B	

VIEW ON MATING SIDE

U																							
W																							
X																							

1 2 3 4 5 6 7 8 9 10 11 12 13 14 15 16 17 18 19 20 21 22 23 24 25 26 27 28 29 30 31 32

A - 24 STANDARD CONTACTS L-2,9

Marking	Standard
Performance level	G2/0 = Contact area level2 / Termination tin
Flux proof	no
Fixing clip	no
Dimensions	SD-85048-0004 sht.1
Technical Data	PS-85042-0001

Contact symbol  
A  
G2/0  
Perform. level

Contact position number  
a13-20 b13-20 c13-20  
Contact position number

ECN 2478 first release	REVISIONS	FOR PREVIOUS REVISIONS SEE MRI LIST
	LTR	>

UNLESS OTHERWISE SPECIFIED TOLERANCES: ANGULAR $\pm 2^\circ$	DRWG BY	SIGN
<input type="checkbox"/> INCH <input type="checkbox"/> METRIC	KN	
3 PLACE $\pm$ . $\pm$	CHK'D BY	SIGN
2 PLACE $\pm$ . $\pm$	Ca	
1 PLACE $\pm$ . $\pm$	APP'D BY	SIGN
DRAFT WHERE APPLICABLE MUST REMAIN WITHIN DIMENSIONS	JB	
DESIGN DIMENSION <input type="checkbox"/> MM <input type="checkbox"/> IN.	SCALE	
EQUIVALENT DIMENSION <input type="checkbox"/> MM <input type="checkbox"/> IN.		
IF TWO DIMENSIONS ARE SHOWN, THE UPPER IS THE DESIGN DIMENSION, LOWER IS SECONDARY		

REVISIONS ONLY ON CAD SYSTEM	SH. REV.
CAD/CAM PROJECT NAME s8504809_s61	THIS DRAWING CONTAINS PROPRIETARY TO MOLEX INC. & SHOULD NOT BE USED WITHOUT WRITTEN PERMISSION

TITLE  
24 pos. female connector  
acc. DIN 41612, style M  
contacts arrangement

MOLEX EUROPE

SHEET NO.

1 OF 1

DATE

97/05/28

PART NO.

85048-0969

DWG NO.

SD-85048-0969

SIZE

A