

PLEASE CHECK WWW.MOLEX.COM FOR LATEST PART INFORMATION

Part Number: [0878344043](#)
Status: **Active**
Overview: [cgrid_sl_products](#)
Description: 2.54mm (.100") Pitch C-Grid® Header, Dual Row, Low Profile, Vertical, Shrouded, Lead-free, 40 Circuits, 0.38µm (15µ") Gold (Au) Selective Plating, without PCB Locator, Center Polarization Slot, with Pin 20 Voided

Documents:

[3D Model](#) [Product Specification PS-70246-100 \(PDF\)](#)
[Drawing \(PDF\)](#) [RoHS Certificate of Compliance \(PDF\)](#)

Agency Certification

UL E29179

General

Product Family PCB Headers
 Series [87834](#)
 Application Wire-to-Board
 Comments Void Pin Location: 20|Contact Molex for application in automotive industry
 Overview [cgrid_sl_products](#)
 Product Name C-Grid®

Physical

Breakaway No
 Circuits (Loaded) 39
 Circuits (maximum) 40
 Color - Resin Natural
 First Mate / Last Break No
 Flammability 94V-0
 Glow-Wire Compliant No
 Guide to Mating Part No
 Keying to Mating Part None
 Lock to Mating Part None
 Material - Plating Mating Gold
 Material - Plating Termination Tin
 Material - Resin Nylon
 Number of Rows 2
 Orientation Vertical
 PC Tail Length (in) 0.135 In
 PC Tail Length (mm) 3.43 mm
 PCB Locator No
 PCB Retention None
 Packaging Type Tray
 Pitch - Mating Interface (in) 0.100 In
 Pitch - Mating Interface (mm) 2.54 mm
 Pitch - Term. Interface (in) 0.100 In
 Pitch - Term. Interface (mm) 2.54 mm
 Plating min: Mating (µin) 15
 Plating min: Mating (µm) 0.38
 Plating min: Termination (µin) 100
 Plating min: Termination (µm) 2.54
 Polarized to Mating Part Center Slot
 Polarized to PCB No
 Shrouded Fully
 Stackable No

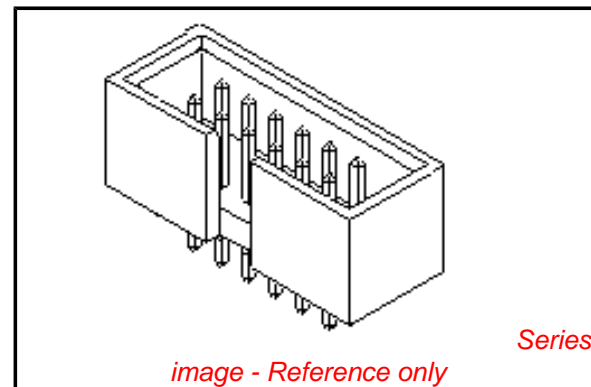


image - Reference only

EU RoHS

ELV and RoHS Compliant
REACH SVHC Contains SVHC: No
Halogen-Free Status

China RoHS



Need more information on product environmental compliance?

Email productcompliance@molex.com
 For a multiple part number RoHS Certificate of Compliance, [click here](#)

Please visit the [Contact Us](#) section for any non-product compliance questions.

Search Parts in this Series

[87834Series](#)

Mates With

.050" pitch ribbon cable connectors

Temperature Range - Operating	-55°C to +120°C
Termination Interface: Style	Through Hole

Electrical

Current - Maximum per Contact	2.5A
Voltage - Maximum	250V DC

Solder Process Data

Duration at Max. Process Temperature (seconds)	5
Lead-free Process Capability	Wave Capable (TH only)
Max. Cycles at Max. Process Temperature	1
Process Temperature max. C	265

Material Info

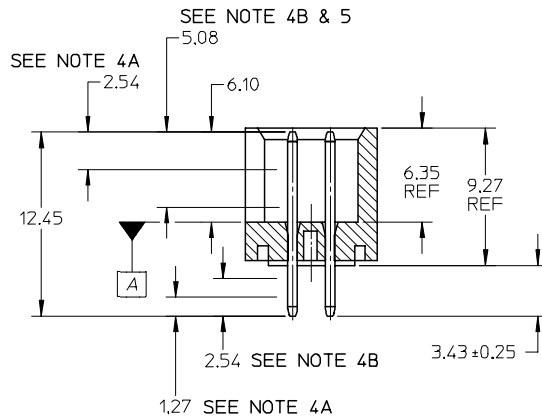
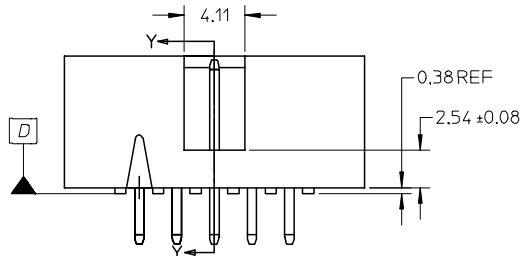
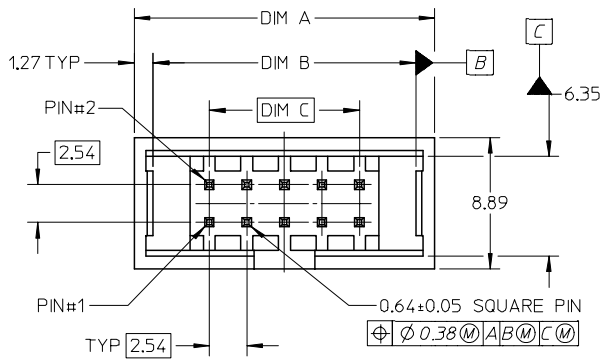
Reference - Drawing Numbers

Packaging Specification	PK-87835-001
Product Specification	PS-70246-100
Sales Drawing	SD-87834-030

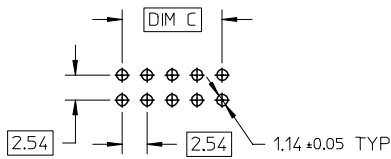
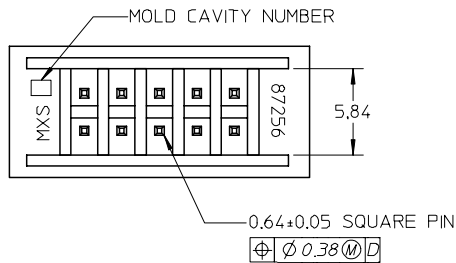
This document was generated on 05/25/2010

PLEASE CHECK WWW.MOLEX.COM FOR LATEST PART INFORMATION

PART NUMBERS	CKT SIZE	VOIDED PIN LOCATION	DIM A	DIM B	DIM C
87834-3443	34	5	50.80	48.26	40.64
87834-4043	40	20	58.42	55.88	48.26
87834-4143	40	25,27,28	58.42	55.88	48.26



SECTION Y-Y



RECOMMENDED PCB PATTERN

NOTES :

- MATERIAL :-
HOUSING : NYLON (PA), UL94V-0, COLOR: BIEGE.
PIN : COPPER ALLOY.
- FINISH :
TERMINAL : SELECTIVE GOLD IN THE CONTACT,
THICKNESS= 0.38 MICROMETER MINIMUM,
SELECTIVE PURE TIN IN THE PC TAIL AREA,
THICKNESS= 2.54 MICROMETER MINIMUM;
NICKEL UNDERPLATE
- PRODUCT SPECIFICATION PS-70246-100 APPLIES.
- DIMENSIONS FOR PLATING LOCATIONS :
A - MEASURE POINT FOR THICKNESS
B - MINIMUM COVERAGE.
- WAFER TO BE FLAT WITHIN 0.003 MILLIMETER/MILLIMETER
- FOR ILLUSTRATION PURPOSE, A 10 CIRCUIT SIZE IS SHOWN.

ADD MATERIAL NOTE	QUALITY SYMBOLS	GENERAL TOLERANCES (UNLESS SPECIFIED)		DIMENSION STYLE	SCALE	DESIGN UNITS	THIRD ANGLE PROJECTION
		mm	INCH	MM ONLY	NTS	METRIC	
ADD MATERIAL NOTE EC NO: S2005-0319 DRAWN:ATSEE 2004/12/08 CHKD:SHONG 2004/12/09 APPR:SKTOH 2004/12/13	▽=0 ▽=0	4 PLACES	± ---	± ---	DRAWN BY	DATE	TITLE C-GRID, SHROUDED WAFER WITH VOIDED AND W/O END SLOT, POLARIZING PEGS MOLEX INCORPORATED DOCUMENT NO. SD-87834-030 SHEET NO. 1 OF 1
		3 PLACES	± ---	± ---	RSHAN	2004/01/14	
		2 PLACES	± 0.20	± ---	CHECKED BY	DATE	
		1 PLACE	± ---	± ---	KCL ING	2004/01/30	
		ANGULAR ± 1 °		APPROVED BY	DATE	SKTOH	
A1	REV	DESCRIPTION	DRAFT WHERE APPLICABLE MUST REMAIN WITHIN DIMENSIONS		SEE TABLE		