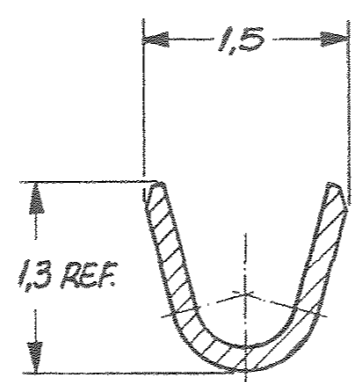
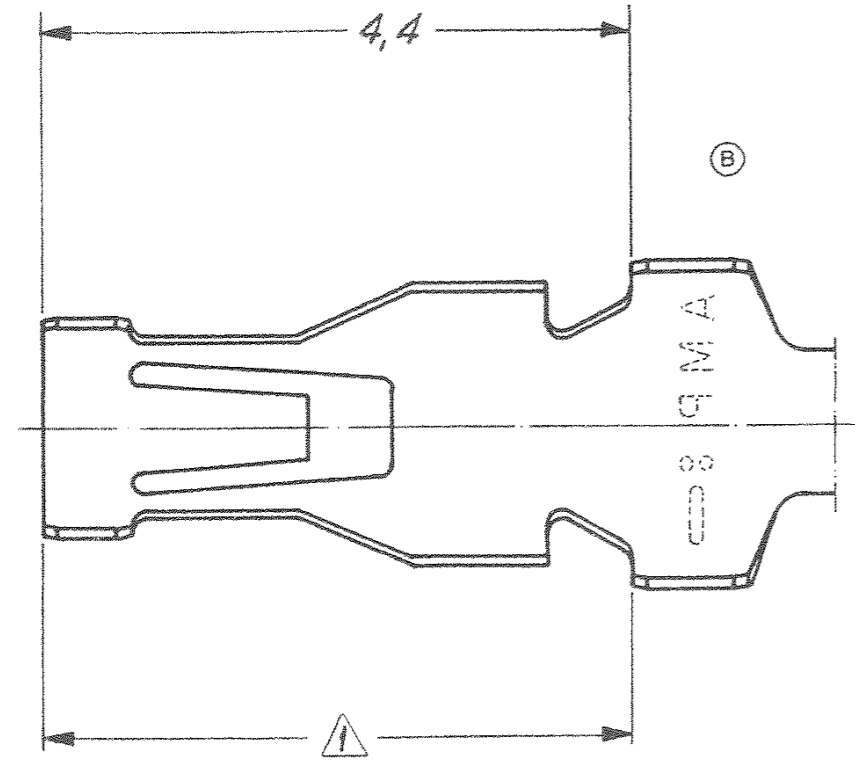


C 444082 1-1

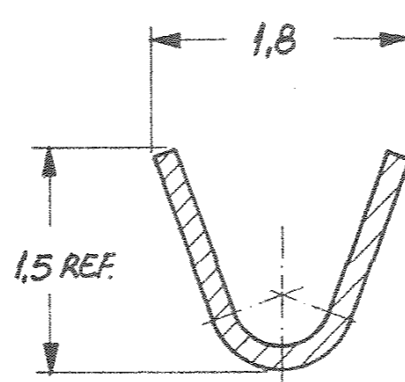
DO NOT SCALE
DIMENSIONS IN mm.

METRIC

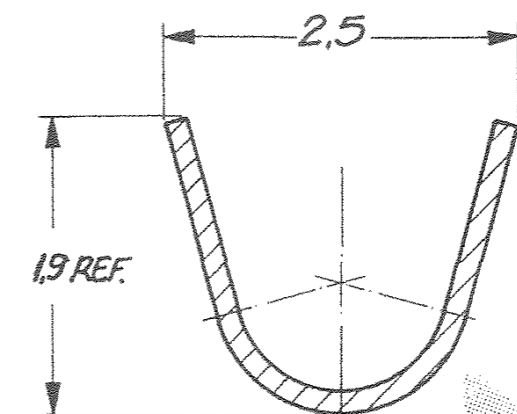
3rd ANGLE PROJECTION



SECÇÃO A-A
SECTION

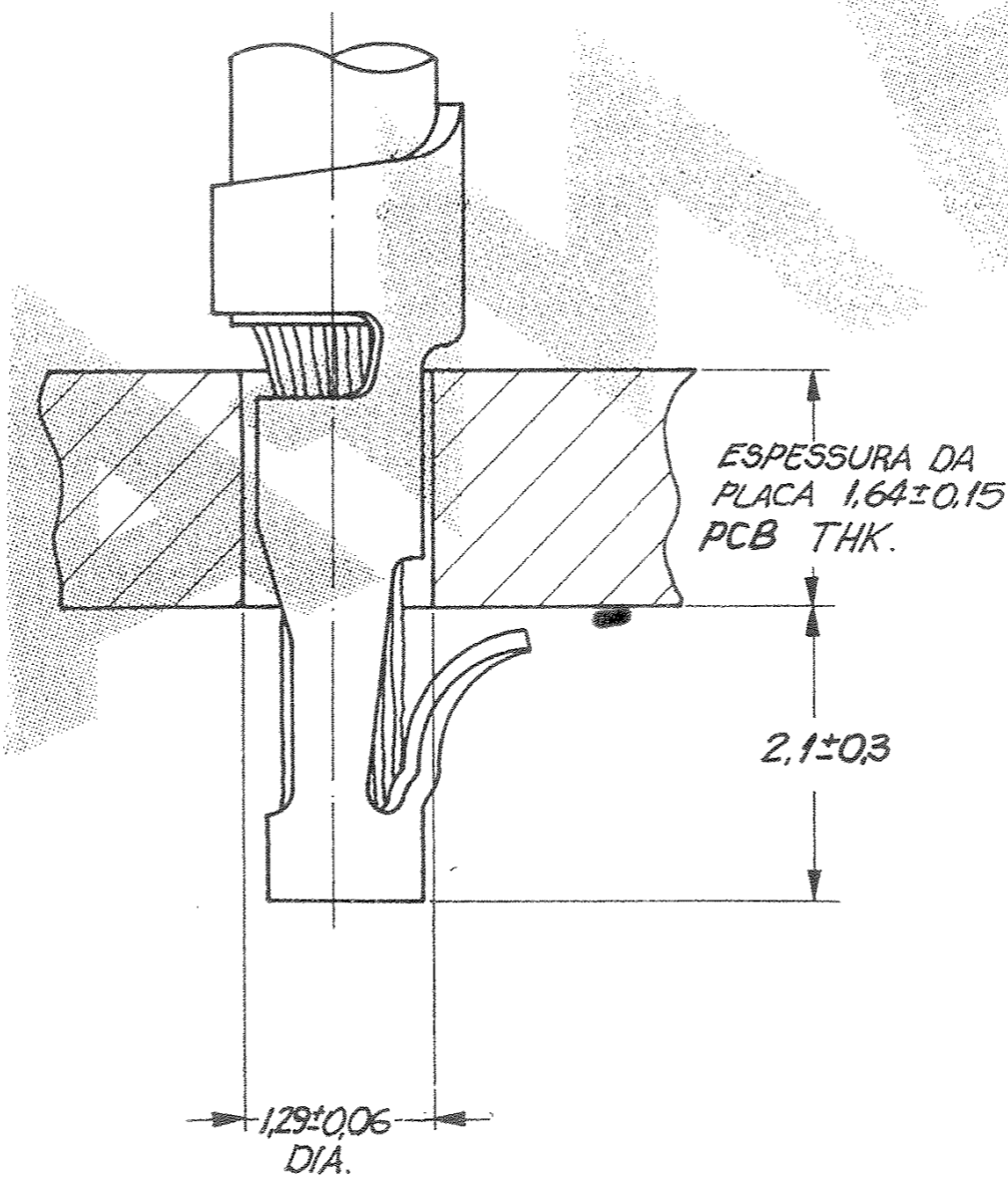
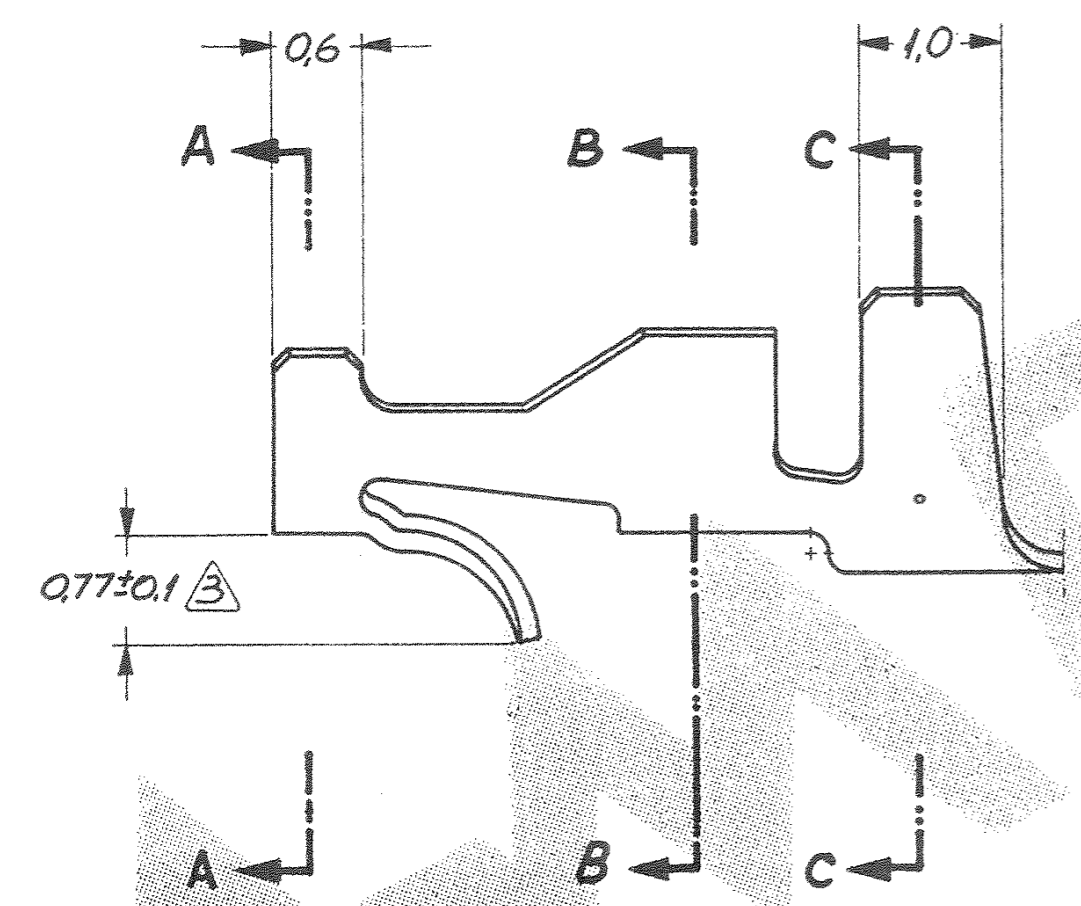


SECÇÃO B-B
SECTION



SECÇÃO C-C
SECTION

- 1 - SOLDABILIDADE DE ACORDO COM ESPEC. AMP 109-11-5
- SOLDERABLE PER AMP SPEC.
- 2 - O TERMINAL DEVE RESISTIR A UMA FORÇA DE ARRANCAMENTO DO CONDUTOR DE 8,9N MIN.
- TERMINAL MUST WITHSTAND 8,9N MIN. CONTACT EXTRACTION FORCE.
- 3 - ALTURA DA TRAVA APÓS APLICAÇÃO:
0,60 - 0,95
- LOCKING LANCE HEIGHT AFTER CRIMPING:
0,60 - 0,95



EBLF-18B.939-FA	PRÉ ESTANHADO S/NICKEL	LATAO	444082 -2
	1	LATAO	444082 -1
PART NUMBER FORD	FINISH	MATERIAL	PART NUMBER
CUSTOMER DWG for REFERENCE ONLY		THIS DRAWING IS UNPUBLISHED RELEASED FOR PUBLICATION	
		BY AMP DO BRASIL LTDA S.P. ALL INTERNATIONAL RIGHTS RESERVED. AMP PRODUCTS MAY BE COVERED BY U.S. AND FOREIGN PATENTS AND/OR PATENTS PENDING.	
		TOLERANCES UNLESS OTHERWISE STATED	INS. DIA. RANGE WIRE RANGE SCALE
		DEC. ± 0,3	1,35 mm MAX. 24 AWG 20:1
		ANGLES 21°	
		AMP AMP do BRASIL LTDA São Paulo, Brasil	
		DESCRIPTION CONTACT - SHORT, VERSION II - MINI AMP - IN	
		DWG NO	SHEET
		A2	1 of 1
REVISION RECORD		APP. M.C. 21/92	