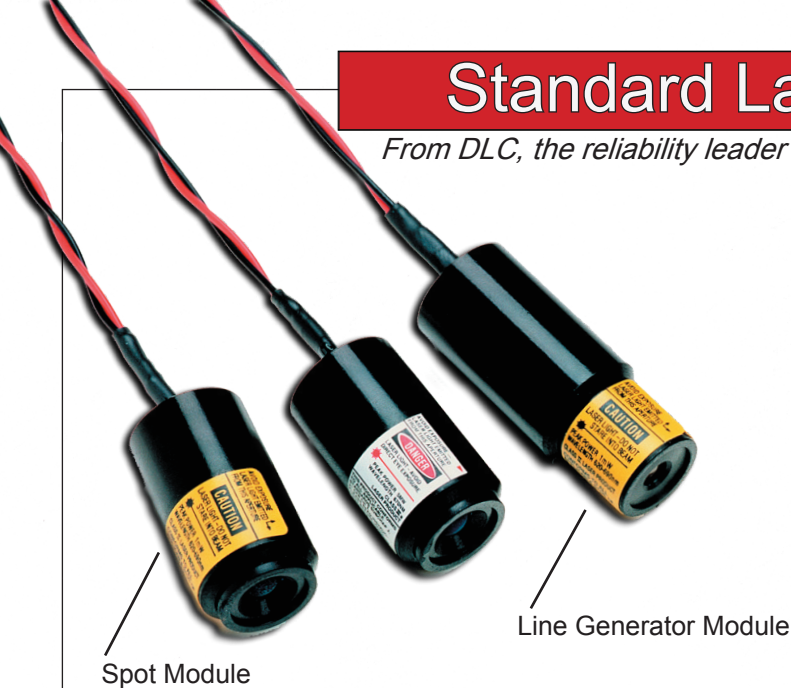


Standard Laser Modules

From DLC, the reliability leader of diode laser module manufacturers



Diode Laser Concepts, Inc. offers the most versatile Laser Module on the market today. We offer a variety of wavelengths, beam configurations, and fan angles for line generation. Modules consist of a Type III, Class 3 hard coat anodized aluminum case at neutral potential electrically, on/off LED indicator, and 7 inch wire leads. Units also available with a scratch resistant sapphire window. Our internal driver circuitry utilizes automotive electronics to provide maximum surge and static protection to the laser diode. DLC precisely aligns all the optics at the factory, thus eliminating costly set up time.

DLC has made a commitment to producing the world's most reliable Diode Laser Module. Our modules are found in the tire, medical, wood products and textile industries, and we maintain a field failure rate of less than 0.5%. The industry's lowest!

DLC's focus on customer satisfaction is equally unmatched. We meet or exceed our quoted lead times over 97% of the time.

DLC is the answer for the customer who has been searching for quality, reliability, and excellent customer service. Our vision to produce the most reliable and competitively priced modules began with the company's inception in 1991, and has established DLC as a leader in the industry.

DLC is the future of the Diode Laser Module market. Call us today to discuss your application!

Innovative Technical Solutions

- Surge, Static, and Reverse Polarity Protection
- Variety of: Wavelengths
Beam Configurations
Fan Angles for Line Generation
- Anodized Aircraft Aluminum
- All Units Aimed to Within a 1/4 Degree of the Mechanical Axis

Unmatched Product Reliability

Unsurpassed Customer Service

ISO 9001 Registered

Competitive Pricing

Two Year Warranty



DIODE LASER CONCEPTS, INC

4731 Industry Drive - Central Point, OR 97502

Tel: 541-773-5321 - Fax: 541-773-1705 - Web: <http://www.diodelaserconcepts.com>

STANDARD DIODE LASER MODULES

ELLIPTICAL BEAMS

Beam Size @ Aperture	Wavelength	1/2 Angle Beam Divergence (mrad)	Operating Current Typical/Maximum (mA)	Output Power (mW)	CDRH Class	Module Length (in/mm)	DLC Part Number
5.0mm x 1.2mm	635nm	.67 x .17	55/85	0.97	II	1.06/26.9	FAX-RS3-10
	635nm		60/90	4.2	IIIa		FAX-RS3-50
	635nm		70/100	8.2	IIIb		FAX-RS3-80
	635nm		80/110	12.4	IIIb		FAX-RS3-H0
	635nm		100/150	27.5	IIIb		FAX-RS3-30
	650nm		35/65	0.97	II		FAX-RS5-10
	650nm		40/70	4.2	IIIa		FAX-RS5-50
	650nm		80/130	27.5	IIIb		FAX-RS5-30
	670nm		35/70	0.97	II		FAX-RS7-10
	670nm		40/70	4.2	IIIa		FAX-RS7-50
	780nm		35/60	0.97	IIIb		FIX-RS8-10
	780nm		35/60	4.2	IIIb		FIX-RS8-50
	830nm		60/110	27.5	IIIb		FIX-RS3-30

Beam Size @ Aperture	Wavelength	1/2 Angle Beam Divergence (mrad)	Operating Current Typical/Maximum (mA)	Output Power (mW)	CDRH Class	Module Length (in/mm)	DLC Part Number
6.1mm x 1.2mm	635nm	.47 x .12	60/90	4.2	IIIa	1.19/30.2	FAX-RS3-5G
	635nm		55/85	0.97	II		FAX-RS3-1G
	635nm		70/100	8.2	IIIb		FAX-RS3-8G
	635nm		80/110	12.2	IIIb		FAX-RS3-HG
	635nm		100/150	27.5	IIIb		FAX-RS3-3G
	650nm		35/70	0.97	II		FAX-RS5-1G
	650nm		40/70	4.2	IIIa		FAX-RS5-5G
	650nm		80/130	27.5	IIIb		FAX-RS5-3G
	670nm		35/70	0.97	II		FAX-RS7-1G
	670nm		40/70	4.2	IIIa		FAX-RS7-5G
	780nm		35/60	0.97	IIIb		FIX-RS8-1G
	780nm		35/60	4.2	IIIb		FIX-RS8-5G
	830nm		60/110	27.5	IIIb		FIX-RS3-3G

ROUND BEAMS

Beam Size @ Aperture	Wavelength	1/2 Angle Beam Divergence (mrad)	Operating Current Typical/Maximum (mA)	Output Power (mW)	CDRH Class	Module Length (in/mm)	DLC Part Number
3.0mm	635nm	.25	60/90	0.97	II	1.66/42.2	FAX-RS3-1R
	635nm		70/100	2.1	IIIa		FAX-RS3-8R
	635nm		80/110	3.1	IIIa		FAX-RS3-HR
	635nm		100/150	6.1	IIIb		FAX-RS3-3R
	650nm		40/70	0.97	II		FAX-RS5-1R
	650nm		80/130	9.3	IIIb		FAX-RS5-3R
	670nm		40/70	0.97	II		FAX-RS7-1R
	780nm		35/60	0.97	IIIb		FIX-RS8-1R
	830nm		60/110	9.3	IIIb		FIX-RS3-3R

The "X" may be replaced with either a "5" to = .500 inch diameter or "Y" to = .580 inch diameter.

Options: Scratch resistant sapphire window. Please consult factory representative.

STANDARD DIODE LASER MODULES

LINE GENERATORS

Line Length with Full Fan Angle of:	Wavelength	(Line Thickness) 1/2 Angle Beam Divergence (mrad)	Operating Current Typical/Maximum (mA)	Power Rating (mW)	CDRH Class	Module Length (in/mm)	DLC Part Number
90 Degrees	635nm	.39	60/90	5	II	1.46/37.1	FAX-RL3-19
	635nm		70/100	10	II		FAX-RL3-89
	635nm		80/110	15	II		FAX-RL3-H9
	635nm		100/150	30	IIIa		FAX-RL3-39
	650nm		40/70	5	II		FAX-RL5-19
	650nm		80/130	30	IIIa		FAX-RL5-39
	670nm		40/70	5	II		FAX-RL7-19
	780nm		35/60	5	IIIb		FIX-RL8-19
	830nm		60/110	30	IIIb		FIX-RL3-39
60 Degrees	635nm	.39	60/90	5	II	1.46/37.1	FAX-RL3-16
	635nm		70/100	10	II		FAX-RL3-86
	635nm		80/110	15	II		FAX-RL3-H6
	635nm		100/150	30	IIIa		FAX-RL3-36
	650nm		40/70	5	II		FAX-RL5-16
	650nm		80/130	30	IIIa		FAX-RL5-36
	670nm		40/70	5	II		FAX-RL7-16
	780nm		35/60	5	IIIb		FIX-RL8-16
	830nm		60/110	30	IIIb		FIX-RL3-36

LINE GENERATORS

Line Length with Full Fan Angle of:	Wavelength	(Line Thickness) 1/2 Angle Beam Divergence (mrad)	Operating Current Typical/Maximum (mA)	Power Rating (mW)	CDRH Class	Module Length (in/mm)	DLC Part Number
45 Degrees	635nm	.39	60/90	5	II	1.46/37.1	FAX-RL3-14
	635nm		70/100	10	II		FAX-RL3-84
	635nm		80/110	15	II		FAX-RL3-H4
	635nm		100/150	30	IIIa		FAX-RL3-34
	650nm		40/70	5	II		FAX-RL5-14
	650nm		80/130	30	IIIa		FAX-RL5-34
	670nm		40/70	5	II		FAX-RL7-14
	780nm		35/60	5	IIIb		FIX-RL8-14
	830nm		60/110	30	IIIb		FIX-RL3-34
10 Degrees	635nm	.39	60/90	5	II	1.46/37.1	FAX-RL3-11
	635nm		70/100	10	II		FAX-RL3-81
	635nm		80/110	15	II		FAX-RL3-H1
	635nm		100/150	30	IIIa		FAX-RL3-31
	650nm		40/70	5	II		FAX-RL5-11
	650nm		80/130	30	IIIa		FAX-RL5-31
	670nm		40/70	5	II		FAX-RL7-11
	780nm		35/60	5	IIIb		FIX-RL8-11
	830nm		60/110	30	IIIb		FIX-RL3-31

The "X" may be replaced with either a "5" to = .500 inch diameter or "Y" to = .580 inch diameter.

Options: Scratch resistant sapphire window. Please consult factory representative.

STANDARD DIODE LASER MODULES

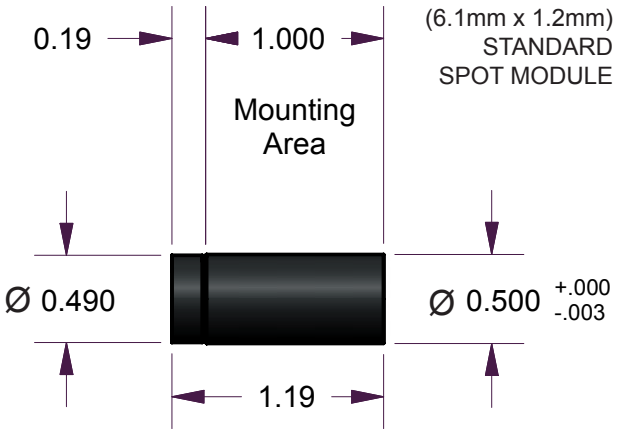
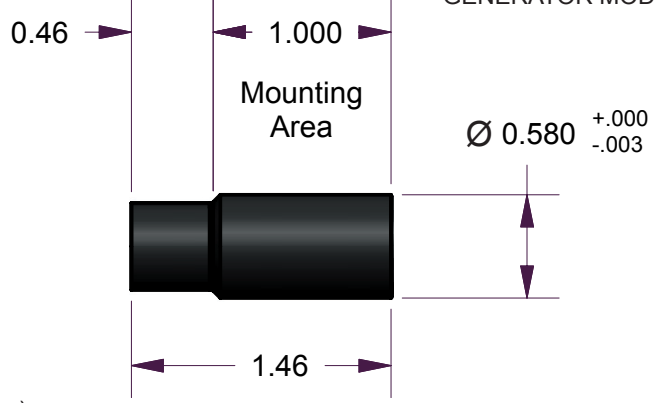
STANDARD LASER MODULES General Specifications:	
Voltage Required:	5.0VDC (regulated)
Mechanical Axis Alignment to Optic Axis:	1/4 degree (1/2 angle)
Line Width: (Line Generators)	1mm (nominal)
Emissions Indicator:	Green LED
Case:	@ Neutral Potential
Internal Electronics:	Static, Surge and Reverse Polarity Protected
Wire Leads:	7 in. Long, (+) red, (-) black
Storage Temperature:	-40 deg. C to +80 deg. C
Warranty:	Limited 2 Year



ALL UNITS CDRH CERTIFIED EXCEPT FOR CLASS IIIb LASER PRODUCTS.

MADE IN THE USA.

STANDARD LINE GENERATOR MODULE



DIODE LASER CONCEPTS, INC

4731 Industry Drive - Central Point, OR 97502

Tel: 541-773-5321 - Fax: 541-773-1705 - Web: <http://www.diodelaserconcepts.com>