

# 10-Element Bargraph, B—10 Series and 20-mm Large Lamp, B—40 series

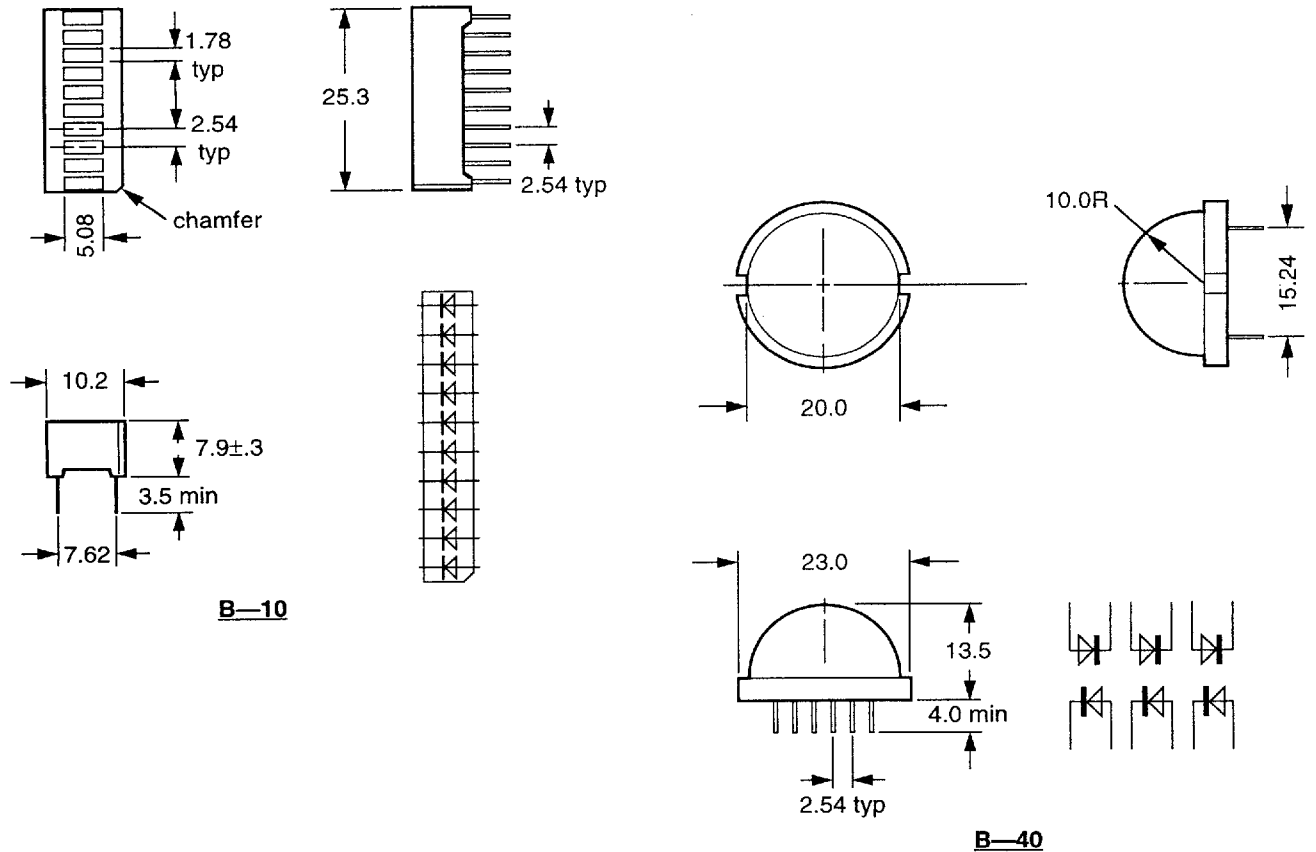


The ten element bargraph is designed to display visual information such as level, position, intensity in a graphic form. The large lamp is a multiple dice LED that can be used to draw attention or to achieve special effects.

## SELECTION GUIDE:

Color	I Red	H Red	Orange**	D Red	Green	Yellow
Wavelength	635 nm	697 nm	610 nm	660 nm	565 nm	585 nm
Part No./lv (mcd)	BI10/4.5	BH10/1.4	BO10/4.0	BD10/10	BG10/4.0	BY10/3.5
Part No./lv (mcd)	BI40/50	-	BO40/40	BD40/90	BG40/50	BY40/40

## MECHANICAL DIMENSIONS & PIN-OUT:



\*\* Special order, min. quantity requirements apply.

\* Specifications subject to change without notice. All dimensions are in mm ± 0.3 unless stated otherwise.

\* lv typ. measured @ If = 20 mA.

IDEA, Inc., 1300-B Pioneer St., Brea, CA 92621 Ph. 310-697-4332, 800-LED-IDEA; Fax: 310-690-1352

950 D-68

4811086 0000173 596