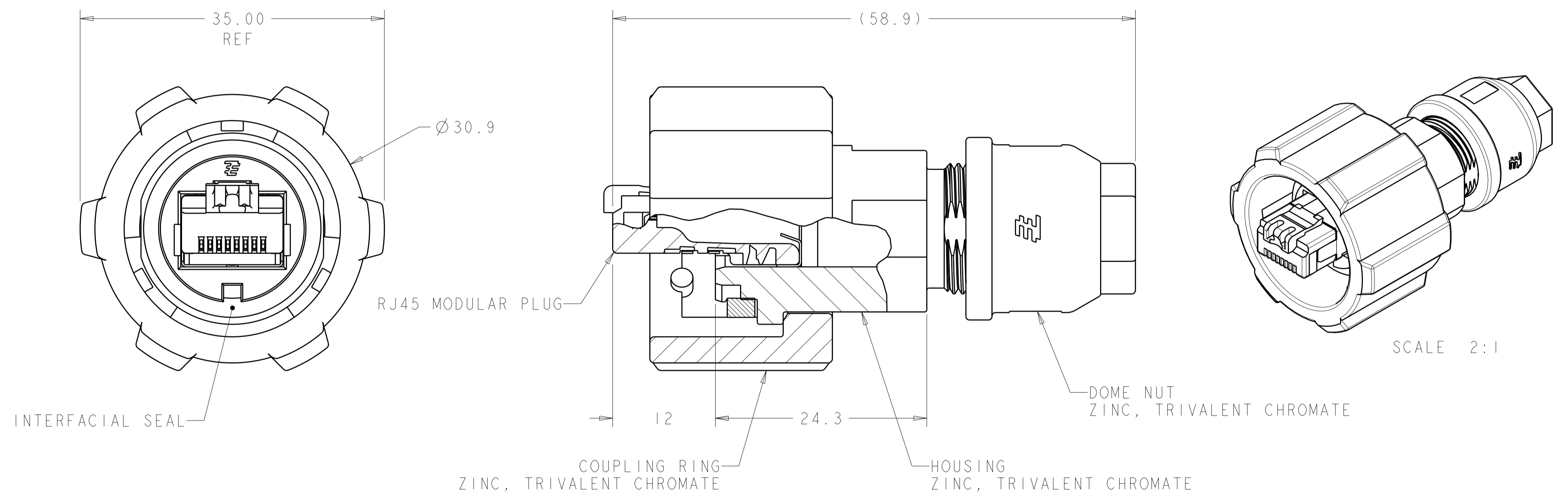


THIS DRAWING IS UNPUBLISHED. RELEASED FOR PUBLICATION 20  
 © COPYRIGHT 20 BY TYCO ELECTRONICS CORPORATION. ALL RIGHTS RESERVED.

LOC		DIST		REVISIONS			
P	LTR	DESCRIPTION	DATE	DWN	APVD		
-	-	AI	REVISED PER ECO-09-010030	23APR2009	SS	MS	

- 1. CABLE DIAMETER RANGE:  $\varnothing 4.5 - \varnothing 6.9$
- 2. 36.9 IN-LBS TORQUE RECOMMENDED FOR DOME NUT.
- 3. INTERFACIAL SEAL IS SECURED TO HOUSING WITH ADHESIVE.



SOLID WIRE	2008614-2
STRANDED WIRE	2008614-1
WIRE TYPE	PART NUMBER

<small>THIS DRAWING IS A CONTROLLED DOCUMENT FOR TYCO ELECTRONICS CORPORATION. IT IS SUBJECT TO CHANGE AND THE CONTROLLING ENGINEERING ORGANIZATION SHOULD BE CONTACTED FOR THE LATEST REVISION.</small>		DWN S. WELDON 26MAR2008 CHK C. HERTZLER 26MAR2008 APVD C. HERTZLER 26MAR2008	<b>Tyco Electronics</b> Tyco Electronics Harrisburg, PA 17105-3608
DIMENSIONS: mm 	TOLERANCES UNLESS OTHERWISE SPECIFIED: 0 PLC $\pm 1.0$ 1 PLC $\pm 0.2$ 2 PLC $\pm 0.10$ 3 PLC $\pm 0.000$ 4 PLC $\pm 0.0000$ ANGLES $\pm 1^\circ$	PRODUCT SPEC 108-2198 APPLICATION SPEC 114-13136 WEIGHT -	NAME PLUG KIT, SHIELDED, INDUSTRIAL CIRCULAR ETHERNET CONNECTOR SIZE A2 CAGE CODE 00779 DRAWING NO. C-2008614 RESTRICTED TO -
MATERIAL	FINISH	CUSTOMER DRAWING	SCALE 3:1 SHEET OF REV

www.DataSheet4U.com