

PLEASE CHECK WWW.MOLEX.COM FOR LATEST PART INFORMATION

Part Number: [0512383011](#)
Status: **Active**
Description: CRC™ Shielded Rectangular I/O Receptacle Housing for Female Terminal, Signal, 30 Circuits, Polarization Type Standard

Documents:

[Drawing \(PDF\)](#) [Product Specification PS-51238-018 \(PDF\)](#)
[Product Specification PS-51238-010 \(PDF\)](#) [RoHS Certificate of Compliance \(PDF\)](#)

Agency Certification

CSA	LR19980
TUV	R72081037
UL	E29179

General

Product Family	I/O Connectors
Series	51238
Application	Panel-Mount, Wire-to-Wire
Component Type	Housing
Product Name	CRC™
Type	N/A

Physical

Boot Color	N/A
Circuits (Loaded)	N/A
Circuits (maximum)	30
Color - Resin	Black
Durability (mating cycles max)	100
Flammability	94V-0
Gender	Receptacle
Keying to Mating Part	Yes
Lock to Mating Part	Yes
Material - Metal	Stainless Steel
Material - Plating Mating	n/a
Material - Resin	Polyester
Number of Rows	6
Orientation	Vertical
PCB Locator	No
Packaging Type	Tray
Panel Mount	Front, Rear
Pitch - Mating Interface (in)	0.118 In
Pitch - Mating Interface (mm)	3.00 mm
Pitch - Term. Interface (in)	0.118 In
Pitch - Term. Interface (mm)	3.00 mm
Polarized to Mating Part	Yes
Polarized to PCB	N/A
Ports	1
Surface Mount Compatible (SMC)	N/A
Temperature Range - Operating	-40°C to +105°C
Termination Interface: Style	N/A
Waterproof / Dustproof	No

Electrical

Current - Maximum per Contact	1A, 2.5A, 2A, 3A
Shielded	No
Voltage - Maximum	250V AC (RMS)/DC



image - Reference only

EU RoHS

ELV and RoHS Compliant
REACH SVHC Contains SVHC: No
Halogen-Free Status
Not Halogen-Free

China RoHS



Need more information on product environmental compliance?

Email productcompliance@molex.com
 For a multiple part number RoHS Certificate of Compliance, [click here](#)

Please visit the [Contact Us](#) section for any non-product compliance questions.

Search Parts in this Series

51238Series

Mates With

51234-300X plug housing|55836-300X plug assembly set

Use With

56377-300* receptacle shell|56120 and 56121 female terminal

Material Info

Reference - Drawing Numbers

Product Specification

Sales Drawing

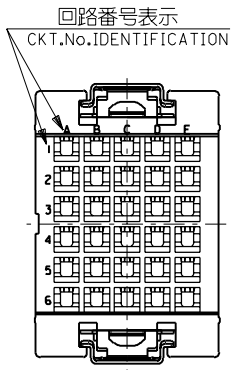
PS-51238-010, PS-51238-018, RPS-51238-001

SD-51238-009

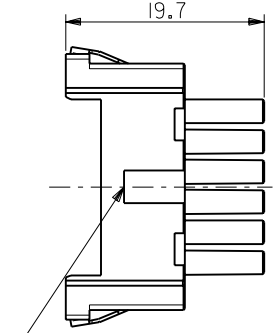
This document was generated on 04/12/2010

PLEASE CHECK WWW.MOLEX.COM FOR LATEST PART INFORMATION

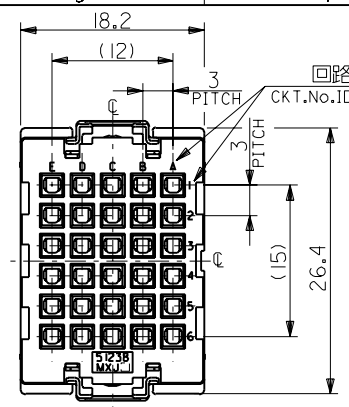
DWG. NO. SD-51238-009



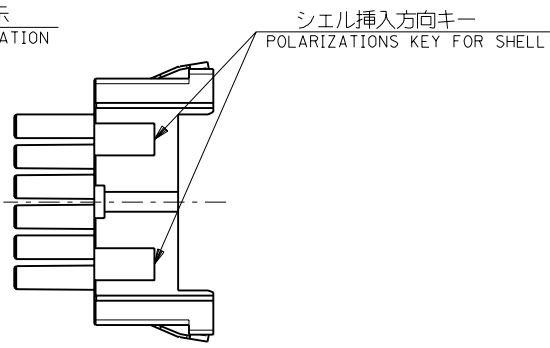
電線挿入側
WIRE SIDE



シェル挿入方向キー
POLARIZATIONS KEY FOR SHELL



嵌合側
MATING SIDE



シェル挿入方向キー
POLARIZATIONS KEY FOR SHELL

注記
NOTES

1. 材質 MATERIAL
 ①ハウジング：ガラス入りPBT樹脂 HOUSING : PBT G.F.
 UL94V-0 色：黒 UL94V-0 COLOR : BLACK
 ②スプリング：ステンレス鋼 t0.3 SPRING : STAINLESS STEEL t0.3
2. 適用端子：56120-8*90 , 56121-8*90
 APPLICABLE CRIMP PIN : 56120-8*90 , 56121-8*90
3. 適用リセプタクル シェル：56377-30**
 APPLICABLE RECEPTACLE SHELL : 56377-30**
4. 嵌合相手：51234-300*
 MEET WITH : 51234-300*

<誤嵌合防止キー（極性）タイプ> <POLARITY KEY TYPE>

51238-3011	51238-3012	51238-3013	51238-3014	51238-3015
STANDARD TYPE	A TYPE	B TYPE	C TYPE	D TYPE

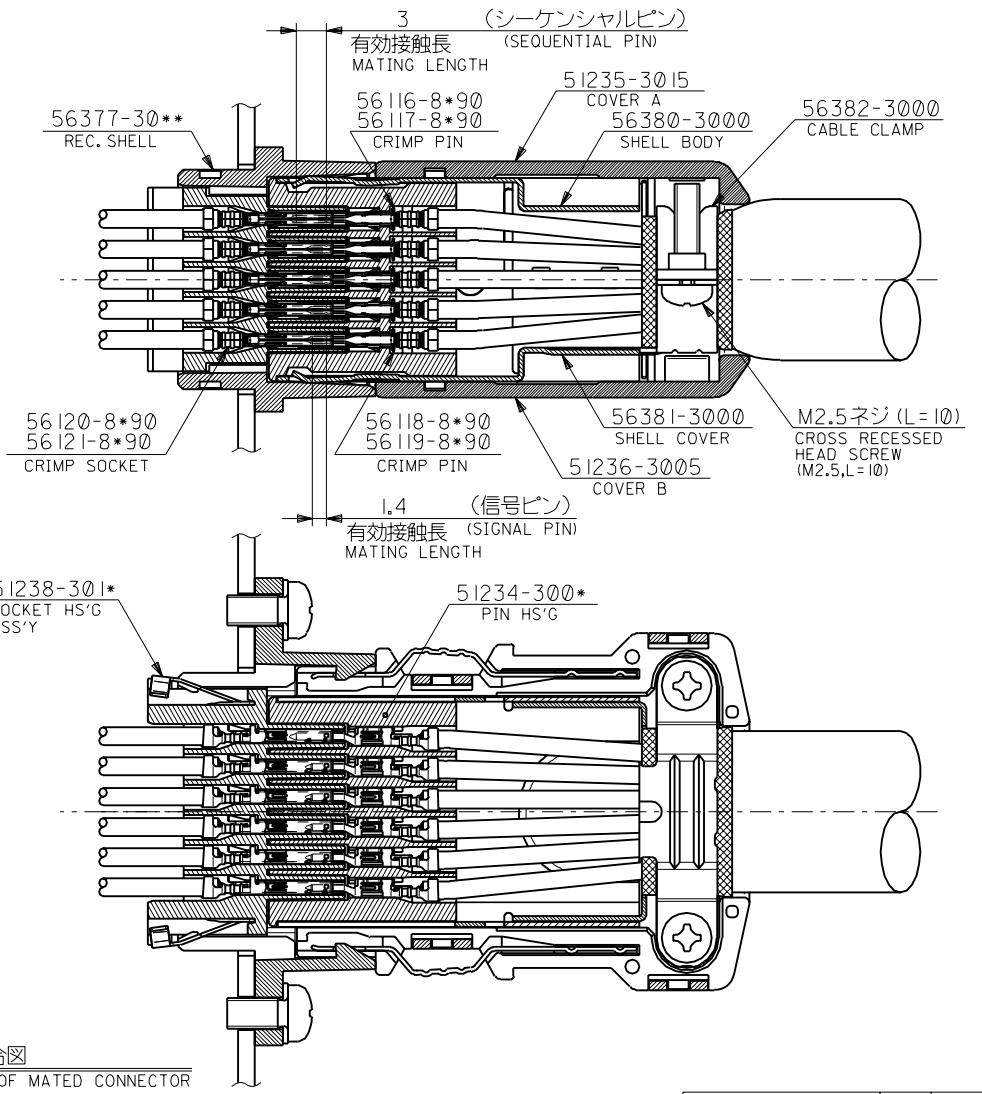
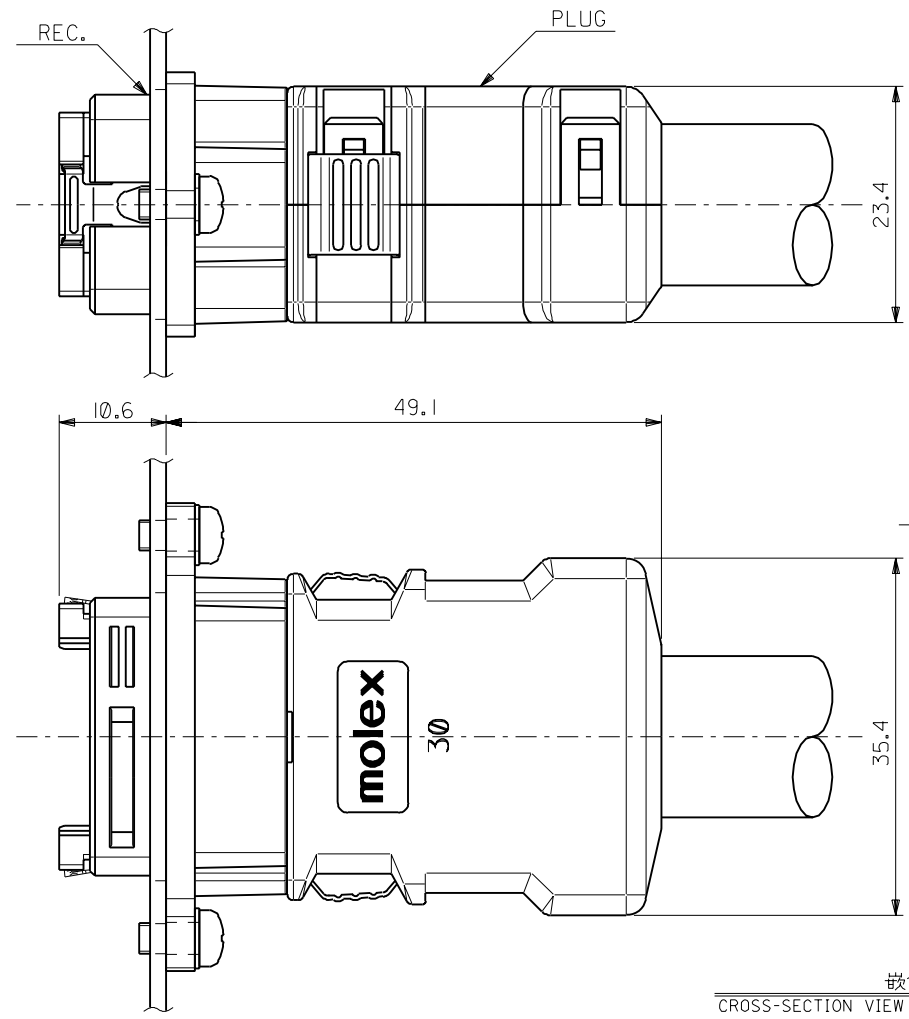
B-3	D	51238-3015	51238-***1*	30
D-4	C	51238-3014		
C-4	B	51238-3013		
C-3	A	51238-3012		
—	STANDARD	51238-3011		
POLARITY POSITION (CIRCUIT No.)	POLARITY TYPE	MATERIAL No.	MODEL No.	CIRCUIT

DO NOT SCALE DRAWING

EC NO. DRAWN: CHK'g APPR:	EC NO. DRAWN: CHK'g APPR:	EC NO. DRAWN: CHK'g APPR:	REVISED 01/10/04	MATERIAL 材料	GENERAL TOLERANCES: (UNLESS SPECIFIED) 一般公差	SCALE 2-1	DESIGN UNITS mm INCH	THIRD ANGLE PROJECTION	DIMENSIONS: mm INCH	SHT REV	REVISE ON CAD ONLY
			EC NO. J2002-0786 DRAWN: S.AKIYAMA CHK'g: J.MIYAZAWA APPR: Y.O.ITO								
A	0		RELEASED 01/02/16	FINISH 仕上げ	10 OVER 以上	30 UNDER 未満	±0.25	DRAWN BY & DATE S. Akiyama 1/01/25	MATERIAL NO. SEE CHART	DRAWING NO. SD-51238-009	SHEET NO. 1 OF 4
			EC NO. JD2001-1040 DRAWN: S.AKIYAMA CHK'g: J.MIYAZAWA APPR: H.IKESUGI								
				INS. RANGE 被覆外径	ANGLE 角度		±3°	CAD FILE NAME 51238009.S01	MATERIAL NO. SEE CHART	DRAWING NO. SD-51238-009	SHEET NO. 1 OF 4

THIS DRAWING CONTAINS INFORMATION THAT IS PROPRIETARY TO MOLEX INCORPORATED AND SHOULD NOT BE USED WITHOUT WRITTEN PERMISSION.

DWG. NO.
SD-51238-009



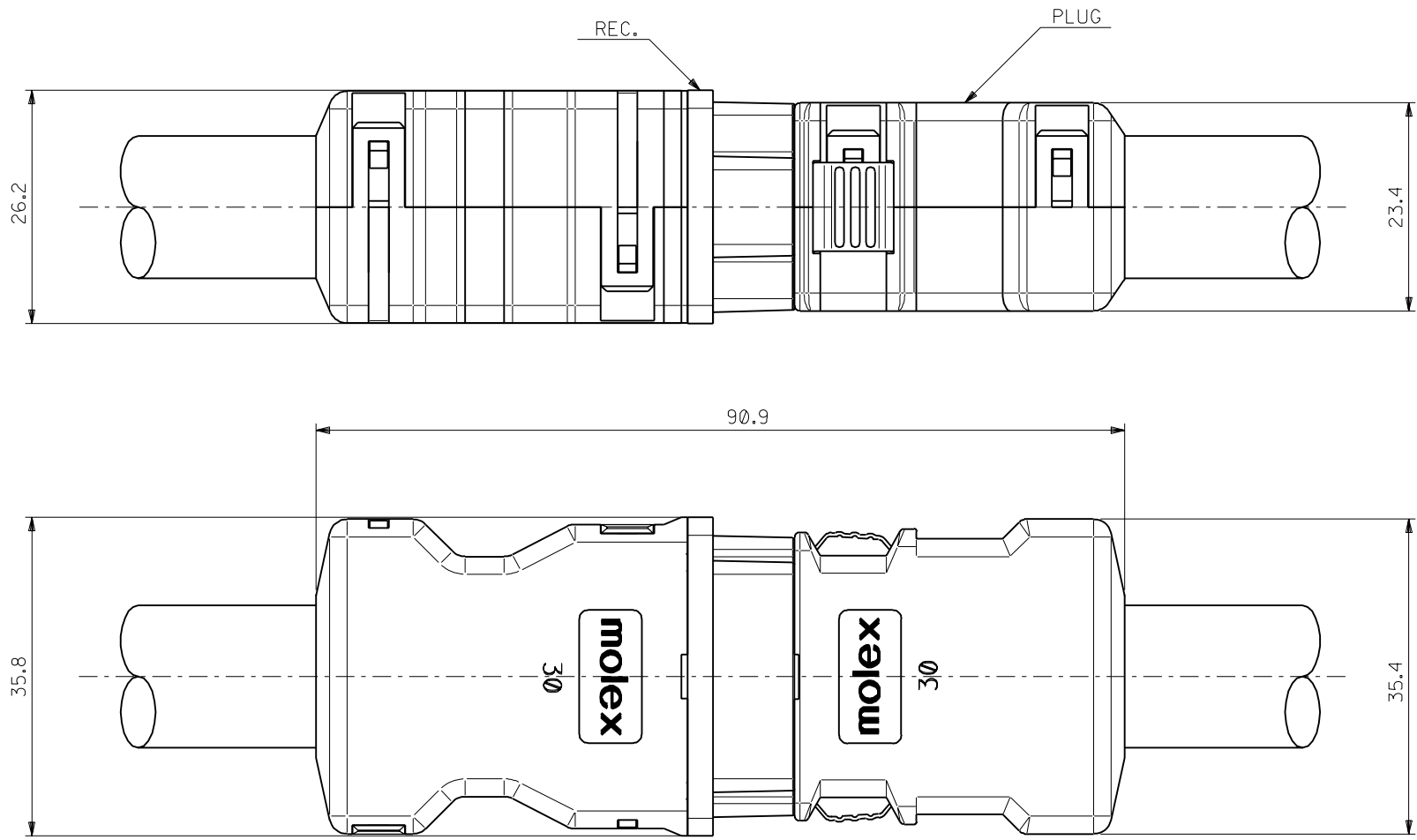
嵌合図
CROSS-SECTION VIEW OF MATED CONNECTOR

DO NOT SCALE DRAWING

EC NO. DRWN: CHK: APPR:	EC NO. DRWN: CHK: APPR:	EC NO. DRWN: CHK: APPR:	REVISED 01/10/04	MATERIAL 材料	GENERAL TOLERANCES: (UNLESS SPECIFIED) 一般公差	SCALE 2-1	DESIGN UNITS mm □ INCH	THIRD ANGLE PROJECTION	DIMENSIONS: □ mm □ INCH	SHT	REV
			EC NO. J2002-0786 DRWN: S.AKIYAMA CHK: J.MIYAZAWA APPR: YO.ITO								
A	Ø	Ø	RELEASED 01/02/16	DESCRIPTION	FINISH RANGE 適用層線範囲	10 OVER 以上	30 UNDER 未満	±0.25	CHECKED BY & DATE J. Miyazawa / Y. Ito	MATERIAL NO. SEE CHART	DRAWING NO. SD-51238-009
			EC NO. JD2001-1040 DRWN: S.AKIYAMA CHK: J.MIYAZAWA APPR: H.IKESUGI								
				注記参照 SEE NOTES	WIRE RANGE 適用層線範囲	ANGLE 角度	±3°	CAD FILE NAME 51238009.S01	MATERIAL NO. SEE CHART	DRAWING NO. SD-51238-009	SHEET NO. 2 OF 4

THIS DRAWING CONTAINS INFORMATION THAT IS PROPRIETARY TO MOLEX INCORPORATED AND SHOULD NOT BE USED WITHOUT WRITTEN PERMISSION.

51238009.S02



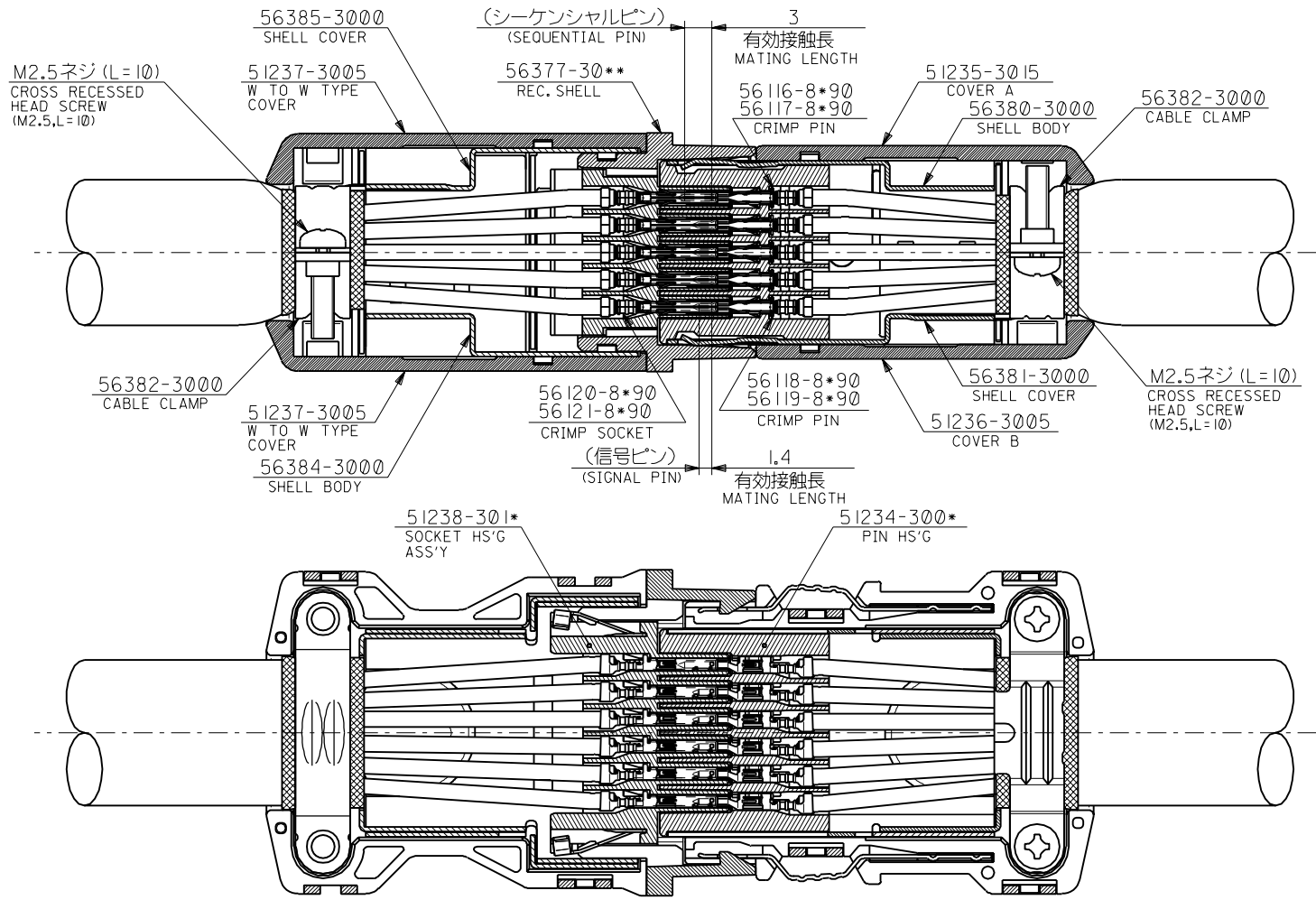
嵌合図 (中継タイプ)
CROSS-SECTION VIEW OF MATED CONNECTOR
(WIRE TO WIRE TYPE)

DO NOT SCALE DRAWING

EC NO. DRWN: CHK: APPR:	EC NO. DRWN: CHK: APPR:	EC NO. DRWN: CHK: APPR:	REVISED 01/10/04	MATERIAL 材料	GENERAL TOLERANCES: (UNLESS SPECIFIED) 一般公差	SCALE	DESIGN UNITS	THIRD ANGLE PROJECTION	DIMENSIONS:		SHT	REV
			EC NO. J2002-0786 DRWN: S.AKIYAMA CHK: J.MIYAZAWA APPR: YO.ITO			FINISH 仕上げ	10 UNDER 未満		2-1	<input type="checkbox"/> mm <input type="checkbox"/> INCH	<input type="checkbox"/> mm <input type="checkbox"/> mm	<input checked="" type="checkbox"/> mm ONLY
A	0		RELEASED 01/02/16	注記参照 SEE NOTES	10 OVER 30 UNDER 以上 未満	±0.2	DRAWN BY & DATE S. Akiyama / 01/25	TITLE:				
			EC NO. JD2001-1040 DRWN: S.AKIYAMA CHK: J.MIYAZAWA APPR: H.IKESUGI	—	30 OVER 以上	±0.25	CHECKED BY & DATE J. Miyazawa / Y. Ito	COMPACT ROBOT CONN. (CRC) REC. SOCKET HS'G ASS'Y				
			REV	WIRE RANGE 適用電線範囲	—	±0.3	APPROVED BY & DATE Yo. Ito	MOLEX INCORPORATED				
				INS. RANGE 被覆外径	—	±3°	CAD FILENAME 51238009.S03	MATERIAL NO. SEE CHART	DRAWING NO. SD-51238-009	SHEET NO. 3 OF 4		

THIS DRAWING CONTAINS INFORMATION THAT IS PROPRIETARY TO MOLEX INCORPORATED AND SHOULD NOT BE USED WITHOUT WRITTEN PERMISSION.

DWG. NO. SD-51238-009



嵌合図 (中継タイプ)
CROSS-SECTION VIEW OF MATED CONNECTOR
(WIRE TO WIRE TYPE)

DO NOT SCALE DRAWING

EC NO. DRWN: CHK: APPR:	EC NO. DRWN: CHK: APPR:	EC NO. DRWN: CHK: APPR:	REVISED 01/10/04	MATERIAL 材料	GENERAL TOLERANCES: (UNLESS SPECIFIED) 一般公差	SCALE 2-1	DESIGN UNITS mm □ mm □ INCH	THIRD ANGLE PROJECTION	DIMENSIONS: □ mm □ INCH ☒ mm ONLY	SHT REVISE ON CAD ONLY	REV
			EC NO. J2002-0786 DRWN: S.AKIYAMA CHK: J.MIYAZAWA APPR: YO.IITO								
A	0	0	RELEASED 01/02/16	FINISH 仕上げ	10 OVER 以上	30 UNDER 未満	±0.25	APPROVED BY & DATE J. Miyazawa / 8.06	MATERIAL NO. SEE CHART	DRAWING NO. SD-51238-009	SHEET NO. 4 OF 4
			EC NO. JD2001-1040 DRWN: S.AKIYAMA CHK: J.MIYAZAWA APPR: H.IKESUGI								
				INS. RANGE 被覆外径	ANGLE 角度		±3°	CAD FILE NAME 51238009.S04			

THIS DRAWING CONTAINS INFORMATION THAT IS PROPRIETARY TO MOLEX INCORPORATED AND SHOULD NOT BE USED WITHOUT WRITTEN PERMISSION.