

## FEATURES

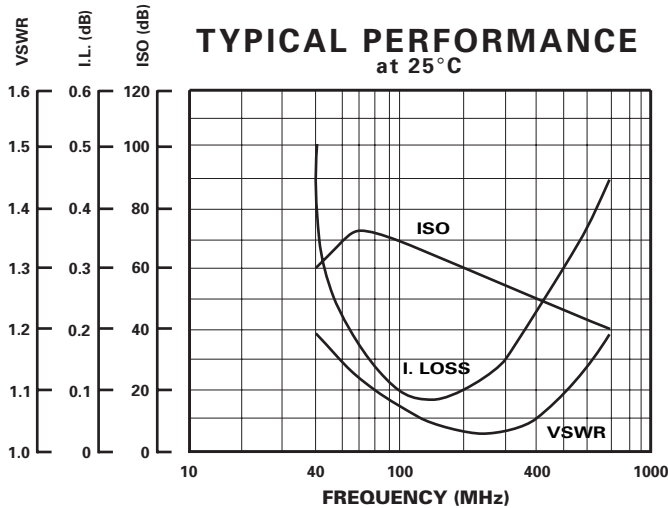
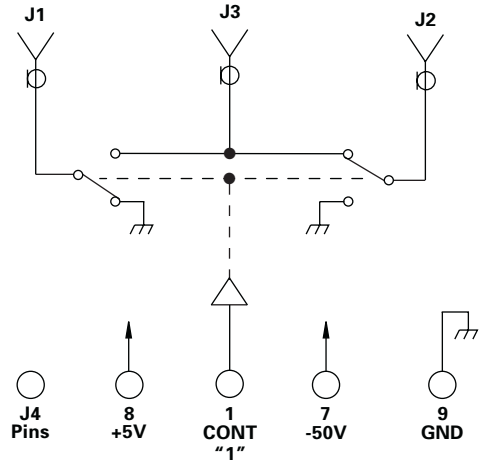
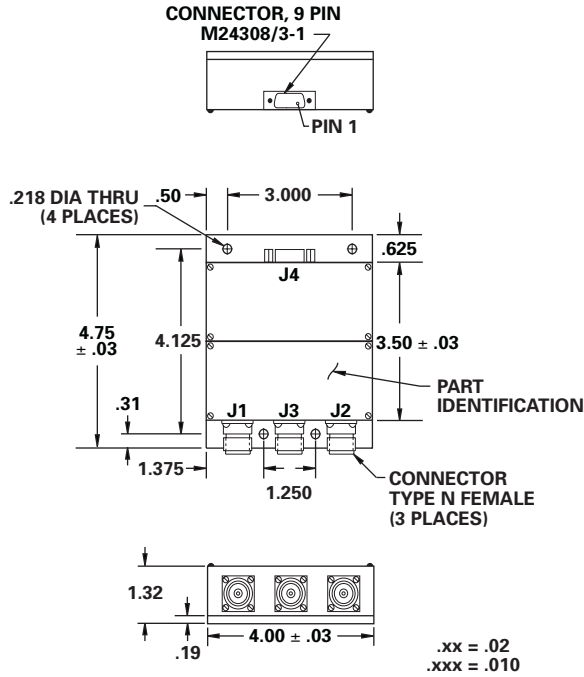
- 100 - 500 MHz
- 0.2 dB Insertion Loss
- 100 Watts CW
- TTL Driver
- Type N Connectors



**MODEL NO.  
100C1492**

**High Power PIN Diode SP2T**

**SP2T**



## GUARANTEED PERFORMANCE

Parameter	Min	Typ	Max	Units	Conditions
Operating Frequency	100		500	MHz	
DC Current		300 10		mA mA	At +5 VDC Supply At -50 VDC Supply
Control Type		TTL			1 Line Logic "0" = J3 - J1 Logic "1" = J3 - J2
Control Current	<i>High</i> <i>Low</i>		1.2 5.0	mA mA	V <sub>IH</sub> = +2.7V V <sub>IL</sub> = +0.5V
Insertion Loss		0.25	0.4	dB	
Isolation	60 45	63 51		dB dB	100 - 200 MHz 200 - 500 MHz
VSWR	<i>Thru</i>	1.1/1	1.25/1		
Impedance		50		OHMS	
Switching Speed			30	μSEC	50% TTL to 90% / 10% RF
RF Power	<i>Operate</i>		100	W	CW
Operating Temperature	-55	+25	+85	°C	TA