

## Precision Linear Transducers, Designed for Mounting in Hydraulic or Pneumatic Cylinder, Conductive Plastic Element (REC)



### FEATURES

- Large Range of Strokes from 25 to 2000 mm
- High Accuracy
- Very Good Repeatability
- Continuous Resolution
- Easy Mounting

These unsealed sensors are suitable for installation in the high pressure chamber of cylinders.

<b>ELECTRICAL SPECIFICATIONS</b>	
Theoretical electrical travel (TET = E)	from 25mm to 2000mm in increments of 25mm
Independent linearity over TET on request	$\leq \pm 1\%$ ; $\leq \pm 0.1\%$ $\leq \pm 0.05\%$ if $E \geq 100\text{mm}$ , $\leq \pm 0.025\%$ if $E \geq 200\text{mm}$
Actual electrical travel (AET)	TET + 6mm $\pm$ 0.5
Total resistance RT	150 $\Omega$ /cm
Resistance tolerance at 20°C	$\pm$ 20%
Repeatability	$\leq$ 0.01%
Maximum power rating	0.05W/cm at 70°C, 0W at 125°C
Wiper current	1mA max. continuous, recommended: a few $\mu$ A
Load impedance	1000 times RT minimum
Insulation resistance	> 1000M $\Omega$ 500VDC
Dielectric strength	> 300VRMS at 50Hz

<b>MECHANICAL SPECIFICATIONS</b>	
Mechanical travel MT	MT = TET
Body	anodized aluminum
Rod internal diameter	16 LH : $\phi$ 18mm
Support	2 screws
Operating force	1N typical
Electrical outputs	wires 300mm long
Oil	insulating mineral hydraulic
Pressure	300 bars continuous, 1000 bars accidentally
Wiper	precious metal multifinger

<b>PERFORMANCE</b>	
Life	40 million of cycles
Temperature limits	- 20°C to + 80°C
Speed at 20°C	1.5m/s max.

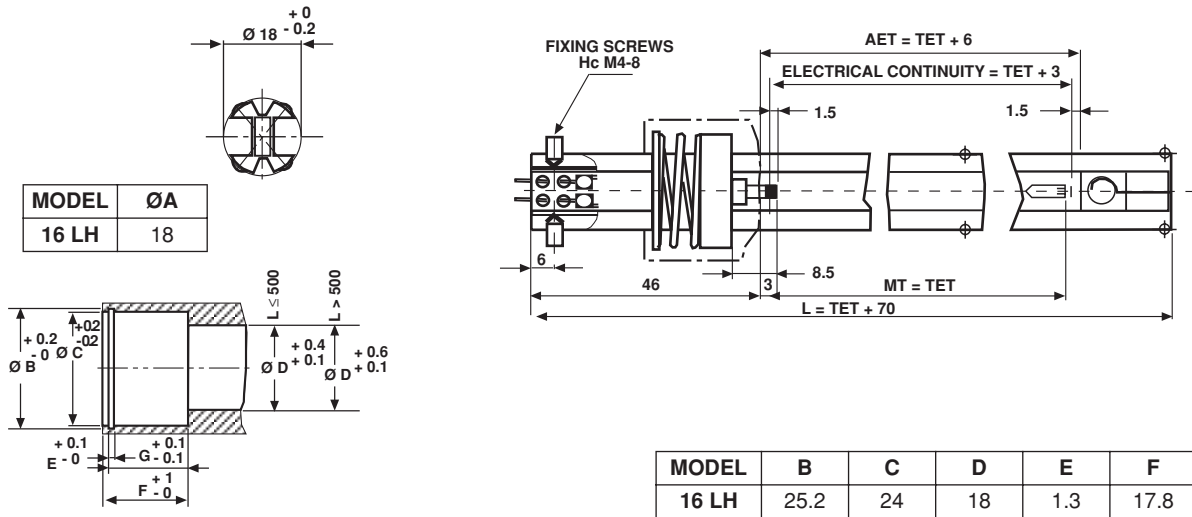
# 16 LH

Vishay

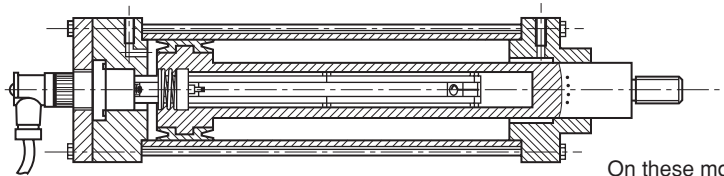


Precision Linear Transducers  
Designed for Mounting in Hydraulic or Pneumatic Cylinder,  
Conductive Plastic Element (REC)

## DIMENSIONS in millimeters, general tolerance $\pm 1$ mm

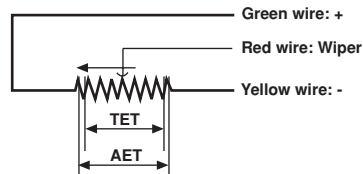


## MOUNTING IN ACTUATOR



On these models:  
Cylinder sealing and electrical connections required

## ELECTRICAL CONNECTIONS



TET = Theoretical electrical travel  
AET = Actual electrical travel

## ORDERING INFORMATION

REC SERIES	16 MODEL	LH TYPE	4 THEORETICAL ELECTRICAL TRAVEL	D LINEARITY	152 RESISTANCE	W... MODIFICATIONS
		Unsealed	Times 25mm	A: $\leq \pm 1\%$ D: $\leq \pm 0.1\%$ E: $\leq \pm 0.05\%$ F: $\leq \pm 0.025\%$	First 2 digits are significant numbers Third indicates number of zeros	Special Feature Code Number



---

**Notice**

Specifications of the products displayed herein are subject to change without notice. Vishay Intertechnology, Inc., or anyone on its behalf, assumes no responsibility or liability for any errors or inaccuracies.

Information contained herein is intended to provide a product description only. No license, express or implied, by estoppel or otherwise, to any intellectual property rights is granted by this document. Except as provided in Vishay's terms and conditions of sale for such products, Vishay assumes no liability whatsoever, and disclaims any express or implied warranty, relating to sale and/or use of Vishay products including liability or warranties relating to fitness for a particular purpose, merchantability, or infringement of any patent, copyright, or other intellectual property right.

The products shown herein are not designed for use in medical, life-saving, or life-sustaining applications. Customers using or selling these products for use in such applications do so at their own risk and agree to fully indemnify Vishay for any damages resulting from such improper use or sale.