

Data Sheet

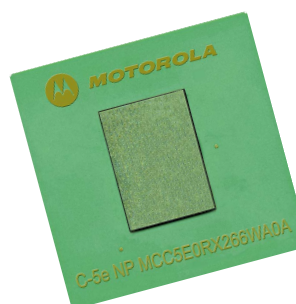
C-5e NETWORK PROCESSOR

SILICON REVISION A1

C5ENPA1-DS/D
Rev 03 PRELIMINARY



MOTOROLA
intelligence everywhere™





Data Sheet

***C-5e Network Processor
Silicon Revision A1***

C5ENPA1-DS/D
Rev 03

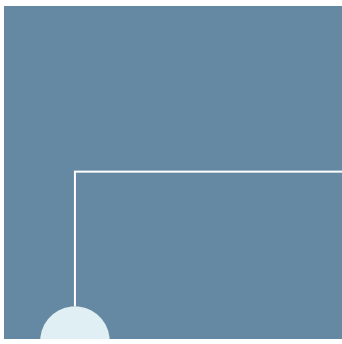
Preliminary

Copyright © 2002 Motorola, Inc. All rights reserved. No part of this documentation may be reproduced in any form or by any means or used to make any derivative work (such as translation, transformation, or adaptation) without written permission from Motorola.

Motorola reserves the right to revise this documentation and to make changes in content from time to time without obligation on the part of Motorola to provide notification of such revision or change.

Motorola provides this documentation without warranty, term, or condition of any kind, either implied or expressed, including, but not limited to, the implied warranties, terms or conditions of merchantability, satisfactory quality, and fitness for a particular purpose. Motorola may make improvements or changes in the product(s) and/or the program(s) described in this documentation at any time.

C-5e, C-3e, C-5, Q-5, Q-3, C-Port, and C-Ware are all trademarks of C-Port, a Motorola Company. Motorola and the stylized Motorola logo are registered in the US Patent & Trademark Office. All other product or service names are the property of their respective owners.



CONTENTS

About This Guide

Guide Overview	13
Data Sheet Classifications	14
Using PDF Documents	14
Guide Conventions	16
Revision History	16
Related Product Documentation	17

CHAPTER 1

Functional Description

Features	19
Massive Processing Power	19
High Functional Integration	19
Block Diagram	20
Channel Processors	22
Executive Processor	23
System Interfaces	23
Fabric Processor	24
Buffer Management Unit	24
Table Lookup Unit	25
Queue Management Unit	26

CHAPTER 2

Signal Descriptions

Signal Summary	27
Pinout Diagram	28
Pin Descriptions Grouped by Function	30
LVTTTL and LVPECL Specifications	30
Clock Signals	31
CP Interface Signals	32
DS1/T1 Framer Interface Configuration	34
10/100 Ethernet (RMII) Configuration	34
Gigabit Ethernet (GMII) Configuration	35

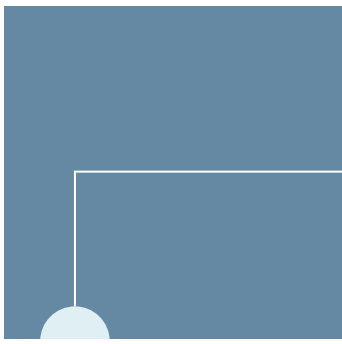
Gigabit Ethernet and Fibre Channel TBI Configuration	38
SONET OC-3 Transceiver Interface Configuration	39
SONET OC-12 Transceiver Interface Configuration	40
Executive Processor System Interface Signals	42
PCI Signals	42
Serial Interface Signals	43
PROM Interface Signals	44
General System Interface Signal	47
Fabric Processor Interface Signals	48
BMU SDRAM Interface Signals	52
TLU SRAM Interface Signals	54
QMU SRAM (Internal Mode) Interface Signals	55
QMU to Q-5 TMC (External Mode) Interface Signals	56
Power Supply Signals	57
Test Signals	58
No Connection Pins	58
Signals Grouped by Pin Number	59
JTAG Support	69
Pinout	69
JTAG Data Registers	69
Boundary Scan Restriction	69
Boundary Scan Cell Types	69
IDcode Register	71
JTAG Instruction Register	71
Boundary Scan Description Language	72
CHAPTER 3	
Electrical Specifications	
Absolute Maximum Ratings	73
Recommended Operating Conditions	74
DC Characteristics	75
Power Sequencing	76
Power and Thermal Characteristics	77
Thermal Management Information	77
Internal Package Conduction Resistance	78
Heat Sink Selection Example	79
AC Timing Specifications	81
Clock Timing Specifications	82

CP Timing Specifications	83
DS1/DS3 Timing Specifications	83
10/100 Ethernet Timing Specifications	84
Gigabit GMII Ethernet, TBI and MII Interface Timing Specifications	85
OC-3 Timing Specifications	87
OC-12 Timing Specifications	88
Executive Processor Timing Specifications	89
PCI Timing Specifications	89
MDIO Serial Interface Timing Specifications	91
Low Speed Serial Interface Timing Specifications	92
PROM Interface Timing Specifications	93
Fabric Processor Timing Specifications	94
BMU Timing Specifications	96
TLU Timing Specifications	98
QMU SRAM (Internal Mode) Timing Specifications	99
QMU to Q-5 (External Mode) Timing Specifications	101

CHAPTER 4**Mechanical Specifications**

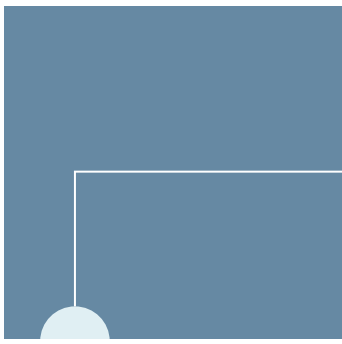
Package Views	103
Package Measurements	106
Marking Codes	106
Reflow	107

Index	109
--------------------	------------



LIST OF FIGURES

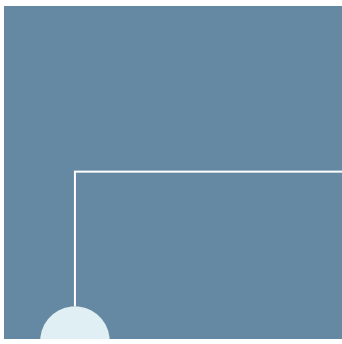
1	C-5e Network Processor Block Diagram.....	21
2	Pin Locations (Top View).....	28
3	Pin Locations (Bottom View).....	29
4	GMII/TBI Transmit and Receive Pin Configurations	36
5	PROM Interface Diagram	45
6	PROM Interface Timing Outline	46
7	Observe-Only Cell	70
8	Cell Design That Can Be Used for Both Input and Output Pins	70
9	Bringup Clock Timing Diagram.....	76
10	Package Cross Section View with Several Heat Sink Options.....	78
11	Package with Heat Sink Mounted to the Printed Circuit Board.....	79
12	Test Loading Conditions.....	81
13	System Clock Timing Diagram	82
14	DS1/DS3 Ethernet Timing Diagram	83
15	10/100 Ethernet Timing Diagram	84
16	Gigabit Ethernet and TBI Interface Timing Diagram	85
17	OC-3 Timing Diagram	87
18	OC-12 Timing Diagram.....	88
19	PCI Timing Diagram	89
20	MDIO Serial Interface Timing Diagram	91
21	Low Speed Serial Interface Timing Diagram	92
22	PROM Interface Timing Diagram	93
23	Fabric Processor Timing Diagram	94
24	BMU Timing Diagram	96
25	TLU Timing Diagram	98
26	QMU SRAM (Internal Mode) Timing Diagram	99
27	QMU to Q-5 (External Mode) Timing Diagram	101
28	C-5e Network Processor BGA Package Side View.....	103
29	C-5e Network Processor BGA Package (Bottom View).....	104
30	C-5e Network Processor BGA Package (Top View).....	105



LIST OF TABLES

1	Data Sheet Classifications	14
2	Navigating Within a PDF Document	15
3	<i>C-5e Network Processor Data Sheet</i> Revision History	16
4	C-Port Silicon Documentation Set	17
5	TLU SRAM Configurations.....	25
6	Clock and Reference Signals	31
7	CP Physical Interface Signals and Pins (Grouped by Clusters)	33
8	DS1/T1 Framer Interface Signals	34
9	10/100 Ethernet Signals	34
10	Transmit and Receive Pin Combinations for Gigabit Ethernet and Fibre Channel.....	35
11	Gigabit Ethernet (GMII/MII) Signals One Cluster Example.....	36
12	Gigabit Ethernet and Fibre Channel TBI Signals Example	38
13	OC-3 Signals	39
14	OC-12 Signals Example	40
15	PCI Signals	42
16	Serial Interface Signals	43
17	PROM Interface Signals.....	44
18	General System Interface Signal	47
19	Fabric Interface Signals	48
20	Utopia1*, 2, 3 ATM Mode, C-5e Network Processor to Fabric Interface Pin Mapping	49
21	Utopia1*, 2, 3 PHY Mode, C-5e Network Processor to Fabric Interface Pin Mapping	49
22	PRIZMA Mode, C-5e Network Processor to Fabric Interface Pin Mapping	50
23	Power X(CSIX-L0) Mode, C-5e Network Processor to Fabric Interface Pin Mapping	50
24	CSIX-L1 Mode, C-5e Network to Fabric Interface Pin Mapping	51
25	BMU SDRAM Interface Signals.....	52
26	TLU SRAM Interface Signals	54
27	QMU SRAM (Internal Mode) Interface Signals.....	55
28	QMU to Q-5 (External Mode) Interface Signals	56
29	Power Supply Signals.....	57
30	Miscellaneous Test Signals For JTAG, Scan, and Internal Test Routines	58

31	No Connection Pins	58
32	Signals Listed by Pin Number	59
33	JTAG Internal Register Descriptions	69
34	JTAG Identification Code and Its Subcomponents	71
35	Instruction Register Instructions	71
36	C-5e Network Processor Absolute Maximum Ratings	73
37	C-5e Network Processor Recommended Operating Conditions	74
38	C-5e Network Processor DC Characteristics	75
39	C-5e Network Processor Capacitance Data	75
40	C-5e Network Processor Power and Thermal Characteristics	77
41	System Clock Timing Description	82
42	DS1/DS3 Ethernet Timing Description	84
43	10/100 Ethernet Timing Description	84
44	Gigabit GMII/MII Ethernet Interface Timing Description	86
45	Gigabit TBI Interface Timing Description	86
46	OC-3 Timing Description	87
47	OC-12 Timing Description	88
48	PCI Timing Description	90
49	MDIO Serial Interface Timing Description	91
50	Low Speed Serial Interface Timing Description	92
51	PROM Interface Timing Description	93
52	Fabric Processor Timing Description	95
53	BMU Timing Description	96
54	Signal Groups in BMU Timing Diagrams	97
55	TLU Timing Description	98
56	Signal Groups in TLU Timing Diagrams	98
57	QMU SRAM (Internal Mode) Timing Description	100
58	Signal Groups in QMU SRAM (Internal Mode) Timing Diagrams	100
59	QMU to Q-5 (External Mode) Timing Description	102
60	Signal Groups in QMU to Q-5 (External Mode) Timing Diagrams	102
61	Package Measurements (Reference Figure 28 , Figure 29 and Figure 30 for Symbols)	106
62	C-5e Network Processor Marking Codes	106



ABOUT THIS GUIDE

Guide Overview

The C-5e Network Processor Data Sheet describes hardware layout specifications including pinouts, memory configuration guidelines, timing diagrams, power and power sequencing guidelines, thermal design guidelines, and mechanical specifications. This document contains information on a pre-production product. Specifications and information herein are subject to change without notice.

This guide assumes a good understanding of the C-5e™ Network Processor (NP) architecture. See the *C-5e/C-3e Network Processor Architecture Guide* (part number C5EC3EARCH-RM/D) for more detail about the hardware.

This guide also assumes good working knowledge of the C-Ware Software Toolset.

This guide covers the following topics:

- [Functional Description](#)
- [Signal Descriptions](#)
- [Electrical Specifications](#)
- [Mechanical Specifications](#)

Data Sheet Classifications Table 1 describes the Data Sheet classifications of Advance, Preliminary, and Production.

Table 1 Data Sheet Classifications

CLASSIFICATION	DESCRIPTION
Advance Information	Used to advise customers of the proposed addition to the product line. This document will typically contain some useful information including interfacing with the user's system and some specifications. The goal of this document is to allow customers to begin designs but with expectation of changes. Specification details may be changed later without notice.
Preliminary Information	Describes pre-production or first production devices and is usually indicative of production stage performance. Minor changes should be expected as characteristic spreads become better controlled. Specification details may be changed slightly without notice, but the customer can design their product based on this data sheet.
Production Data	Defines the long-term specified production limits based on fully characterized data. It includes a disclaimer to allow improvements in specifications and modifications that do not affect form, fit or function in original applications; if absolute maximum ratings are changed, they should improve rather than downgrade.

Using PDF Documents

Electronic documents are provided as PDF files. Open and view them using the Adobe® Acrobat® Reader application, version 3.0 or later. If necessary, download the Acrobat Reader from the Adobe Systems, Inc. web site:

<http://www.adobe.com/prodindex/acrobat/readstep.html>

PDF files offer several ways for moving among the document's pages, as follows:

- To move quickly from section to section within the document, use the *Acrobat bookmarks* that appear on the left side of the Acrobat Reader window. The bookmarks provide an expandable outline view of the document's contents. To display the document's Acrobat bookmarks, press the "Display both bookmarks and page" button on the Acrobat Reader tool bar.
- To move to the referenced page of an entry in the document's Contents or Index, click on the entry itself, each of which is hyperlinked.
- To follow a [cross-reference](#) to a heading, figure, or table, click the blue text.

- To move to the beginning or end of the document, to move page by page within the document, or to navigate among the pages you displayed by clicking on hyperlinks, use the Acrobat Reader navigation buttons shown in this figure:

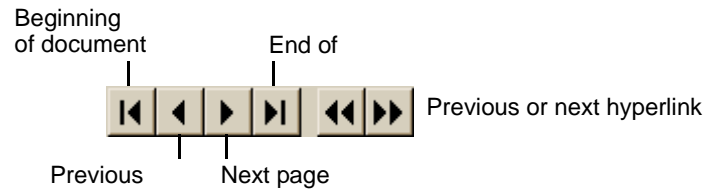


Table 2 summarizes how to navigate within an electronic document.

Table 2 Navigating Within a PDF Document

TO NAVIGATE THIS WAY	CLICK THIS
Move from section to section within the document.	A bookmark on the left side of the Acrobat Reader window
Move to an entry in the Table of Contents.	The entry itself
Move to an entry in the Index.	The page number
Move to an entry in the List of Figures or List of Tables.	The Figure or Table number
Follow a cross-reference (highlighted in blue text).	The cross-reference text
Move page by page.	The appropriate Acrobat Reader navigation buttons
Move to the beginning or end of the document.	The appropriate Acrobat Reader navigation buttons
Move backward or forward among a series of hyperlinks you have selected.	The appropriate Acrobat Reader navigation buttons

Guide Conventions

The following visual elements are used throughout this guide, where applicable:



This icon and text designates information of special note.



Warning: *This icon and text indicate a potentially dangerous procedure. Instructions contained in the warnings must be followed.*



Warning: *This icon and text indicate a procedure where the reader must take precautions regarding laser light.*



This icon and text indicate the possibility of electrostatic discharge (ESD) in a procedure that requires the reader to take the proper ESD precautions.

Revision History

[Table 3](#) provides details about changes made for each revision of this guide.

Table 3 C-5e Network Processor Data Sheet Revision History

REVISION DATE	CST REVISION	CDS REVISION	CHANGES
November 8, 2002	2.2	2.0	Added information about optional capacitors, nominal values for recommended operating conditions, and updated package measurement values.

Related Product Documentation

Table 4 lists the user and reference documentation for Motorola 's C-Port silicon documentation set.

Table 4 C-Port Silicon Documentation Set

DOCUMENT SUBJECT	DOCUMENT NAME	PURPOSE	DOCUMENT ID
Processor Information	<i>C-5 Network Processor Architecture Guide</i>	Describes the full architecture of the C-5 network processor.	C5NPARCH-RM/D
	<i>C-5 Network Processor Data Sheet</i>	Describes hardware design specifications for the C-5 network processor.	C5NPDATA-DS/D
	<i>C-5e/C-3e Network Processor Architecture Guide</i>	Describes the full architecture of the C-5e and C-3e network processors.	C5EC3EARCH-RM/D
	<i>C-5e Network Processor Data Sheet</i>	Describes hardware design specifications for the C-5e network processor.	C5ENPA1-DS/D
	<i>C-3e Network Processor Data Sheet</i>	Describes hardware design specifications for the C-3e network processor.	C3ENPA1-DS/D
	<i>C-5 Network Processor to C-5e Network Processor Comparison Delta Document</i>	Describes key architectural features of the C-5e, and highlights main differences between C-5 and C-5e.	C5C5EDELTAR-M/D
	<i>M-5 Channel Adapter Architecture Guide</i>	Describes the full architecture of the M-5 channel adapter.	M5CAARCH-RM/D
	<i>M-5 Channel Adapter Data Sheet</i>	Describes hardware design specifications for the M-5 channel adapter.	M5CA0-DS/D
	<i>Q-5/Q-3 Traffic Management Coprocessor Architecture Guide</i>	Describes the full architecture of the Q-5 and Q-3 traffic management coprocessor.	Q5Q3ARCH-RM/D
	<i>Q-5 Traffic Management Coprocessor Data Sheet</i>	Describes hardware design specifications for the Q-5 traffic management coprocessor.	Q5TMCA0-DS/D

FUNCTIONAL DESCRIPTION

Features

Key features of the C-5e™ Network Processor (NP) are its massive processing capabilities and its high level of functional integration on one chip.

Massive Processing Power

- Operating frequencies: up to 266MHz
- 5Gbps of bandwidth (for non-blocking throughput)
- More than 4,500MIPS of computing power (for adding services throughout the protocol stack)
- Up to 15 million packets per second transmitted at wire speed
- 17 programmable RISC Cores (for cell/packet forwarding)
- 32 programmable Serial Data Processors (for processing bit streams)
- Up to 133 million table lookups per second
- Three internal buses for 68Gbps of aggregate bandwidth

High Functional Integration

- 840 pin Ball Grid Array (BGA) package
- 16 Channel Processors including:
 - Embedded OC-3c , OC-12 , OC-12c SONET framers
 - Programmable MAC interface
 - RISC Cores
 - Programmable pin PHY interfaces
- Embedded coprocessors for table lookup (classification), buffer management (payload control), and queue management (CoS/QoS implementation)
- Dedicated Fabric Processor and port

- Embedded RISC Executive Processor
- Integrated 32bit 33/66MHz PCI bus interface

Block Diagram

The C-5e™ NP, has an architecture specifically designed for networking applications. The following sections describe each component of the C-5e NP.

The main components of the C-5e NP are:

- [Channel Processors](#)
- [Executive Processor](#)
- [Fabric Processor](#)
- [Buffer Management Unit](#)
- [Table Lookup Unit](#)
- [Queue Management Unit](#)

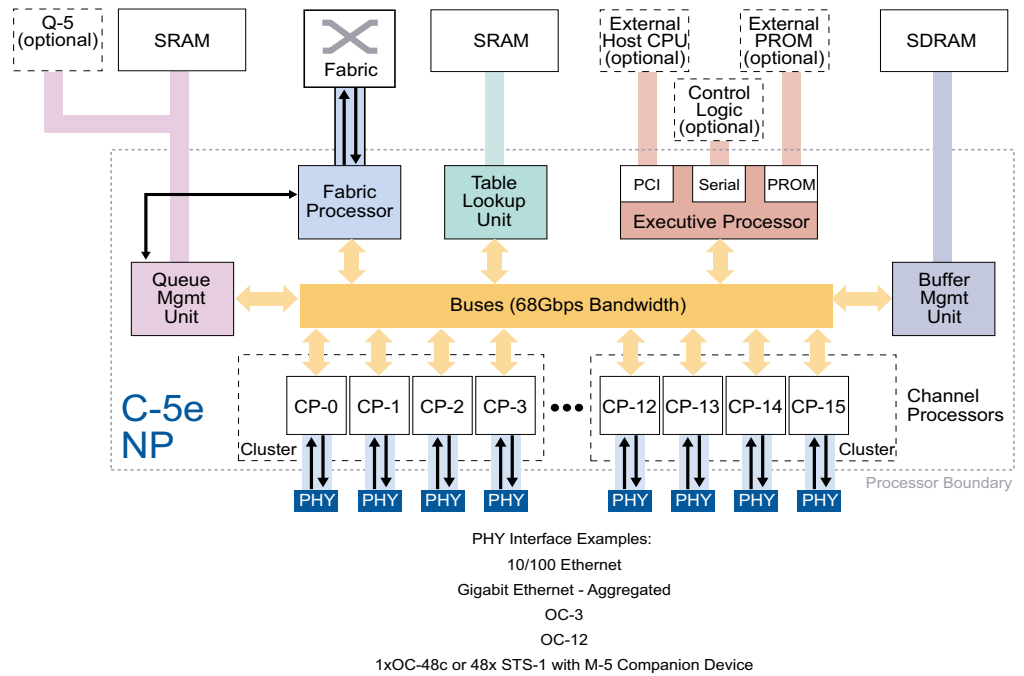


The C-5e NP conforms with both SONET and SDH. Therefore, OC-3(STS-3/STM-1), OC-12 (STS-12/STM-4, and OC48 (STS-48/STM-16).

[Figure 1](#) shows a block diagram of the C-5e NP, including its potential external interfaces.

For more information about the architecture of the C-5e NP, see the *C-5e/C-3e Network Processor Architecture Guide* (part number C5EC3EARCH-RM/D).

Figure 1 C-5e Network Processor Block Diagram



Channel Processors

The C-5e NP contains sixteen programmable Channel Processors (CPs) that receive, process, and transmit network data. The number of CPs per port is configurable, depending on the line interface. Typically one CP is assigned to each port for medium bandwidth applications (Fast Ethernet to OC-3). Multiple CPs can be assigned to a port in a configuration called *channel aggregation* in high bandwidth applications (greater than OC-3). Multiple logical ports can be assigned to a single CP, with the addition of an external multiplexor, for low bandwidth applications, such as DS1 to DS3.

The C-5e NP's architecture supports a variety of industry-standard serial and parallel protocols and individual port data rates including:

- 10/100Mb Ethernet (RMII)
- 1Gb Ethernet (GMII and TBI)
- OC-3c
- OC-12
- OC-48c (using various configurations with M-5 Channel Adapter)
- OC-48 (using various configurations with M-5 Channel Adapter)
- 100Mbit FibreChannel
- DS1/DS3, supported through the use of external framers/multiplexors



The C-5e NP's programmability can also support a variety of special interfaces, such as various xDSL encapsulations and proprietary protocols.

Key components of each CP are a RISC Core (CPRC) that orchestrates cell/packet processing and a set of microprogrammable, special-purpose processors, called Serial Data Processors (SDPs), that provide features such as Ethernet MAC and SONET/SDH framing, multichannel HDLC, and ATM cell delineation. This means you usually only need to include PHYs to complete the system.

Executive Processor

The Executive Processor (XP) serves as a centralized computing resource for the C-5e NP and manages the system interfaces.

The XP performs conventional supervisory tasks in the C-5e NP, including:

- Reset and initialization of the C-5e NP
- Program loading and control of CPs
- Centralized exception handling
- Management of a host interface through the PCI
- Management of system interfaces (PCI, Serial Bus, PROM)

System Interfaces

The system interfaces to the XP are:

- **PCI** — Provides an industry standard 32bit 33/66MHz PCI channel used for chip-level shared resources. The PCI has both *initiator* and *target* capabilities. The PCI interface is typically connected to a host processor.
- **Serial Bus Interface** — Provides a general purpose bi-directional, two-wire serial bus and I/O port that allows the C-5e NP to control external logic with either of two standard protocols:
 - The **MDIO (high-speed) protocol**: uses a 16bit data format with 10bits of addressing and supports transfers up to 25MHz.
 - The **low-speed protocol**: uses an 8bit data format followed by an acknowledge bit and supports transfers up to 400kbps.

Software is used to select which protocol to use, by setting the appropriate bits in the Serial Bus Configuration Register. When a serial bus transfer is active, an external pin is driven by the C-5e NP to indicate which protocol is being used (SPLD=0 indicates MDIO protocol; SPLD=1 indicates low-speed protocol).

Both SIDA and SICL are bi-directional lines that are connected, via an external pull-up resistor, to a positive supply voltage. When the bus is free, both lines are HIGH because of the pull-up resistor. The output stages of the devices connected to the bus must have either an open-drain or open-collector in order to perform the wired-AND function required for its arbitration mechanism.

- **PROM Interface** — Allows the XP to boot from nonvolatile, flash memory. The PROM interface is a low-speed, serial I/O port that runs at $1/2$ to $1/16$ the core clock rate. The maximum PROM size addressable is 4MBytes, and must use a “by 16” part. External board logic is required to perform serial-to-parallel conversion for PROM address outputs and parallel-to-serial conversion for PROM data inputs.

Fabric Processor

The Fabric Processor (FP) acts as a high-speed network interface port with advanced functionality. It allows the C-5e NP to interface to an application-specific switching solution internal to your design. The FP port supports the bidirectional transfer of segments from the C-5e NP to a hardware interface that provides connectivity to other network processors or other similar line processing hardware. There are numerous parameters that can be configured within the FP to allow the interface to be adapted to different fabric protocols. The FP can be configured to conform to seven (7) different fabric interfaces that include: CSIX-L1, UTOPIA-1, -2, -3, PRIZMA, Power X(CSIX-L0), and UTOPIA3 like to M-5.

The FP can be configured to run at any frequency up to 125MHz, with the receive and transmit data buses up to 32 bits wide. This allows a wide range of supported bandwidths to and from the switching fabric, all the way up to 4000 Mbps full duplex bandwidth.

Buffer Management Unit

The Buffer Management Unit (BMU) interfaces the C-5e NP to external pipeline architecture, Single Data Rate Synchronous DRAM. The external memory is partitioned and used as buffers for receiving and transmitting data between CPs, the FP, and the XP. It is also used as second level storage in the XP memory hierarchy.

The interface to an array of SDRAM chips is 139bits wide, composed of 128 data bits, two internal control bits, and nine SECDED (single error correction-double error detection) ECC (error correction code) bits. The interface is compliant with the PC100 standard and operates at up to 133MHz with 3.3V LVTTTL-compatible inputs and outputs. The refresh period, Trcd, Tcas, Trp, Tmrd, and Trc are configurable via boot time configuration (see the *C-5e/C-3e Network Processor Architecture Guide (part number C5EC3EARCH-RM/D)* for more details).

The C-5e NP non-configurable interface transfers four beats of data for each read and write using a sequential burst type. In addition, the C-5e NP uses an auto-refresh mode for the RAM's.



Some of these parameters are programmed into the SDRAMs' mode register and can be applied only once per power cycle. The ECC functionality can be enabled or disabled via configuration register writes.

If needed, the interface can be narrowed to 128bits by disabling ECC and providing board pull-ups for the two control bits and nine ECC bits. This is useful if DIMMs are used in the board design. If individual SDRAM parts are used, x16 and x32 are supported. The BMU supports SDRAM devices that use 12 address lines. Internal address calculation paths limit the maximum memory size to 128MBytes. Only one physical bank of SDRAM is supported.

Table Lookup Unit

The Table Lookup Unit (TLU) performs table lookups in external SRAM. It can also be used for statistics accumulation and retrieval and as general data storage. The TLU simultaneously supports multiple application-defined tables and multiple search strategies, such as those needed for routing, circuit switching, and QoS lookup tasks.

The C-5e NP uses external 64bit wide ZBT Pipelined Bursting Static RAM (SRAM) modules (at frequencies up to 133MHz) for storage of its tables. These modules allow implementation of tables with 2^{25} x 64bit entries using 8Mbit SRAM technology. The maximum amount of memory supported by the TLU is 128MBytes in four banks, when SRAM technology supports 4M x 18pins parts.

Table 5 TLU SRAM Configurations

SRAM TECHNOLOGY	MIN TABLE SIZE (ONE BANK)	MAXIMUM TABLE SIZE (FOUR BANKS)
1Mbit (32k x 32pins)	256kBytes	1MBytes
2Mbit (64k x 32pins)	512kBytes	2MBytes
4Mbit (256k x 18pins)	2MBytes	8MBytes
8Mbit (512k x 18pins)	4MBytes	16MBytes
16Mbit (1M x 18pins)	8MBytes	32MBytes
32Mbit (2M x 18pins)	16MBytes	64MBytes
64Mbit (4M x 18pins)	32MBytes	128MBytes

Queue Management Unit

The Queue Management Unit (QMU) autonomously manages a number of application-defined descriptor queues. It handles inter-CP and inter-C-5e NP descriptor flows by providing switching and buffering. It also performs descriptor replication for multicast applications. A number of up to 128 queues can be assigned to each CPRC for QoS-based services.

The QMU provides a queuing engine internal to the chip and uses external SRAM to store the descriptors. Scheduling is done by the CPs. The QMU supports up to 512 queues and 16,384 descriptor buffers. A descriptor buffer holds an application-defined “descriptor”, which is a structure that defines the payload buffer handle and other attributes of the forwarded cell or packet.

The QMU's external SRAM interface uses ZBT synchronous SRAMs organized in a single bank of up to 128k, 32bit words. This interface runs at up to 175MHz frequency.

The C-5e provides two modes for managing queues. They consist of:

- Internal Mode (using the internal QMU only)
- External Mode (using the internal QMU and the external Q-5 Traffic Management Coprocessor)

See the *C-5e/C-3e Network Processor Architecture Guide (part number C5EC3EARCH-RM/D)*, as well as, the *Q-5/Q-3 Traffic Management Coprocessor Architecture Guide (part number Q5Q3ARCH-RM/D)* for more details.

SIGNAL DESCRIPTIONS

Signal Summary

There are ten (10) functional groupings of signals in the C-5e Network Processor:

- Clock — 11 pins
- Channel Processors (CP0 - CP15) — $16 \times 7 = 112$ pins
- Executive Processor (XP) — 57 pins
 - PCI Interface — 50 pins
 - PROM Interface — 4 pins
 - Serial Bus Interface — 2 pins
 - General System Interface — 1 pin
- Fabric Processor (FP) — 80 pins
- Buffer Management Unit (BMU) — 160 pins
- Table Lookup Unit (TLU) — 99 pins
- Queue Management Unit (QMU) — 59 pins
- Power — 245 pins
- Test — 14 pins
- No connection (NC) — 3 pins



Two (2) of the sections (CPs and FP) are configurable, depending on the type of device being implemented.

Pinout Diagram

The C-5e NP contains 840 pins. These pin numbers are referenced throughout the remaining chapter. [Figure 2](#) shows the pin locations from the top view. In contrast, [Figure 3](#) shows the pin locations from the bottom view.

Figure 2 Pin Locations (Top View)

	29	28	27	26	25	24	23	22	21	20	19	18	17	16	15	14	13	12	11	10	9	8	7	6	5	4	3	2	1	
AJ	CP0_0	CP1_0	CP1_5	CP2_4	CP3_4	CP4_4	CP5_2	CP6_1	CP7_1	CP8_1	CP8_6	FOUT0	FOUT6	FOUT12	FOUT19	FOUT24	FOUT31	FTXCTL5	FIN3	FIN10	FIN15	FIN22	FIN29	FRXCTL3	PAD0	PAD1	PAD2	PAD3	PAD4	AJ
AH	CP0_1	VDD33	CP1_6	CP2_5	CP3_5	GND	CP5_3	CP6_2	CP7_2	VDD33	CP9_0	FOUT1	FOUT7	FOUT13	GND	FOUT25	FTXCTL0	FTXCTL6	FIN4	VDDF	FIN16	FIN23	FIN30	GND	PAD5	PAD6	PAD7	VDD33	PAD8	AH
AG	CP0_2	CP1_1	CP2_0	CP2_6	CP3_6	CP4_5	CP5_4	CP6_3	CP7_3	CP8_2	CP9_1	FOUT2	VDDF	FOUT14	FOUT20	FOUT26	VDDF	FTXCLK	FIN5	FIN11	FIN17	FIN24	FIN31	FRXCTL4	PAD9	PAD10	PAD11	PAD12	PAD13	AG
AF	CP0_3	CP1_2	VDD33	CP3_0	CP4_0	CP4_6	GND	CP6_4	CP7_4	CP8_3	CP9_2	GND	FOUT8	FOUT15	FOUT21	FOUT27	FTXCTL1	GND	FIN6	FIN12	FIN18	FIN25	GND	FRXCTL5	PAD14	PAD15	VDD33	PAD16	PAD17	AF
AE	CP0_4	GND	CP2_1	CP3_1	CP4_1	VDD33	CP5_5	CP6_5	CP7_5	GND	CP9_3	FOUT3	FOUT9	FOUT16	VDDF	FOUT28	FTXCTL2	FIN0	FIN7	GND	FIN19	FIN26	FRXCTL0	VDDF	PAD18	PAD19	PAD20	GND	PAD21	AE
AD	CP0_5	CP1_3	CP2_2	CP3_2	CP4_2	CP5_0	CP5_6	CP6_6	CP7_6	CP8_4	CP9_4	FOUT4	FOUT10	FOUT17	FOUT22	FOUT29	FTXCTL3	FIN1	FIN8	FIN13	FIN20	FIN27	FRXCTL1	FRXCTL6	PAD22	PAD23	PAD24	PAD25	PAD26	AD
AC	CP0_6	CP1_4	CP2_3	CP3_3	CP4_3	CP5_1	CP6_0	CP7_0	CP8_0	CP8_5	CP9_5	FOUT5	FOUT11	FOUT18	FOUT23	FOUT30	FTXCTL4	FIN2	FIN9	FIN14	FIN21	FIN28	FRXCTL2	FRXCLK	PAD27	PAD28	PAD29	PAD30	PAD31	AC
AB	CP9_6	CPA_0	VDD33	CPA_1	CPA_2	CPA_3	GND	CPA_4	CPA_5	VDD33	GND	VDD33	GND	VDDF	GND	VDDF	GND	VDDF	GND	VDD33	PTRDYX	PIRDYX	GND	PCBEX0	PCBEX1	PCBEX2	VDD33	PCBEX3	PPAR	AB
AA	CPA_6	GND	CPB_0	CPB_1	CPB_2	VDD33	CPB_3	CPB_4	CPB_5	GND	VDD	GND	VDD	GND	VDD	GND	VDD	GND	VDD	GND	PREQX	PRSTX	PCLK	VDD33	PSTOPX	PDEVSELX	PPERX	GND	PSERRX	AA
Y	CPB_6	CPC_0	CPC_1	CPC_2	CPC_3	CPC_4	CPC_5	CPC_6	CPD_0	VDD33	GND	VDD	GND	VDD	GND	VDD	GND	VDD	GND	VDDT	PINTA	PIDSEL	PGNTX	SIDA	SICL	SPCK	SPLD	SPDI	SPDO	Y
W	CPD_1	CPD_2	CPD_3	CPD_4	CPD_5	CPD_6	CPE_0	CPE_1	CPE_2	GND	VDD	GND	VDD	GND	VDD	GND	VDD	GND	VDD	GND	PFRAMEX	XPUHOT	TA21	TA20	TA19	TA18	TA17	TA16	TA15	W
V	CPE_3	CPE_4	GND	CPE_5	CPE_6	CPF_0	VDD33	CPE_1	CPF_2	VDD33	GND	VDD	GND	VDD	GND	VDD	GND	VDD	GND	VDDT	TA14	TA13	VDDT	TA12	TA11	TA10	GND	TA9	TA8	V
U	CPF_3	VDD33	CPF_4	CPF_5	CPF_6	GND	MD0	MD1	MD2	GND	VDD	GND	VDD	GND	VDD	GND	VDD	GND	VDD	GND	TA7	TA6	TA5	GND	TA4	TA3	TA2	VDDT	TA1	U
T	MD3	MD4	MD5	MD6	MD7	MD8	MD9	MD10	MD11	VDD33	GND	VDD	GND	VDD	GND	VDD	GND	VDD	GND	VDDT	TWE3X	TWE2X	TWE1X	TWE0X	TCE3X	TCE2X	TCE1X	TCE0X	TA0	T
R	MD12	MD13	MD14	MD15	MD16	MD17	MD18	MD19	MD20	GND	VDD	GND	VDD	GND	VDD	GND	VDD	GND	VDD	GND	TD63	TD62	TD61	TD60	TPAR3	TPAR2	TPAR1	TPAR0	TCLKI	R
P	MD21	MD22	VDD33	MD23	MD24	MD25	GND	MD26	MD27	VDD33	GND	VDD	GND	VDD	GND	VDD	GND	VDD	GND	VDDT	TD59	TD58	GND	TD57	TD56	TD55	VDDT	TD54	TD53	P
N	MD28	GND	MD29	MD30	MD31	VDD33	MD32	MD33	MD34	GND	VDD	GND	VDD	GND	VDD	GND	VDD	GND	VDDT	GND	TD52	TD51	TD50	VDDT	TD49	TD48	TD47	GND	TD46	N
M	MD35	MD36	MD37	MD38	MD39	MD40	MD41	MD42	MD43	VDD33	GND	VDD	GND	VDD	GND	VDD	GND	VDD	GND	VDDT	TD45	TD44	TD43	TD42	TD41	TD40	TD39	TD38	TD37	M
L	MD44	MD45	MD46	MD47	MD48	MD49	MD50	MD51	MD52	GND	VDD	GND	VDD	GND	VDD	GND	VDD	GND	VDD	GND	TD36	TD35	TD34	TD33	TD32	TD31	TD30	TD29	TD28	L
K	MD53	MD54	GND	MD55	MD56	MD57	VDD33	MD58	MD59	VDD33	GND	VDD	GND	VDD	GND	VDD	GND	VDD	GND	VDDT	TD27	TD26	VDDT	TD25	TD24	TD23	GND	TD22	TD21	K
J	MD60	VDD33	MD61	MD62	MD63	GND	MD64	MD65	MD66	GND	VDD	GND	VDD	GND	VDD	GND	VDD	GND	VDDT	GND	TD20	TD19	TD18	GND	TD17	TD16	TD15	VDDT	TD14	J
H	MD67	MD68	MD69	MD70	MD71	MD72	MD73	MD74	MD75	VDD33	GND	VDD33	GND	VDD33	GND	VDD33	GND	VDD33	GND	VDDT	TD13	TD12	TD11	TD10	TD9	TD8	TD7	TD6	TD5	H
G	MD76	MD77	MD78	MD79	MD80	MD81	MD82	MD83	MD84	MDECC7	MDECC2	MDQM	MA11	MA5	SCLK	CCLK0	CCLK3	CPREF	QA13	TD4	TD3	TD2	TD1	TD0	QD23	QD16	QD11	QD6	QD0	G
F	MD85	MD86	VDD33	MD87	MD88	MD89	VDD33	MD90	MD91	MDECC6	MDECC1	MDQML	MA10	MA4	SCLKX	CCLK1	CCLK4	CCLK6	QA14	QA9	QA3	QDPH	VDDT	QD30	QD24	QD17	VDDT	QD7	QD1	F
E	MD92	GND	MD93	MD94	MD95	GND	MD96	MD97	MD98	GND	MDECC0	MBA0	MA9	MA3	VDD33	CCLK2	CCLK5	CCLK7	QA15	GND	QA4	QARDY	QBCLKI	GND	QD25	QD18	QD12	GND	QD2	E
D	MD99	MD100	MD101	MD102	MD103	MD104	MD105	MD106	MD107	MDECC5	MCASX	GND	MA8	MA2	JSE	JSO0	JSO2	GND	QA16	QA10	QA5	QNGRDY	QACLKO	QD31	QD26	QD19	QD13	QD8	QD3	D
C	MD108	MD109	GND	MD110	MD111	MD112	VDD33	MD113	MD114	MDECC4	MRASX	MBA1	VDD33	MA1	JTCK	JCLKBYP	VDD33	JSO3	QDQPAR	QA11	QA6	QA0	VDDT	QWEX	QD27	QD20	GND	QD9	QD4	C
B	MD115	VDD33	MD116	MD117	MD118	GND	MD119	MD120	MD121	VDD33	MWEX	MDCLK	MA7	MA0	GND	JTDI	JHIGHZ	JSO5	NC3	VDDT	QA7	QA1	QACLKI	GND	QD28	QD21	QD14	VDDT	QD5	B
A	MD122	MD123	MD124	MD125	MD126	MD127	MD128	MD129	MDECC8	MDECC3	MCSX	NC5	MA6	JSO1	JSO4	JTMS	JTDO	JTRSTX	NC4	QA12	QA8	QA2	QDPL	QBCLKO	QD29	QD22	QD15	QD10	A	
	29	28	27	26	25	24	23	22	21	20	19	18	17	16	15	14	13	12	11	10	9	8	7	6	5	4	3	2	1	

Figure 3 Pin Locations (Bottom View)

	1	2	3	4	5	6	7	8	9	10	11	12	13	14	15	16	17	18	19	20	21	22	23	24	25	26	27	28	29						
AJ	PAD4	PAD3	PAD2	PAD1	PAD0	FRXCTL3	FIN29	FIN22	FIN15	FIN10	FIN3	FTXCTL5	FOUT31	FOUT24	FOUT19	FOUT12	FOUT6	FOUT0	CP8_6	CP8_1	CP7_1	CP6_1	CP5_2	CP4_4	CP3_4	CP2_4	CP1_5	CP1_0	CP0_0	AJ					
AH	PAD8	VDD33	PAD7	PAD6	PAD5	GND	FIN30	FIN23	FIN16	VDDF	FIN4	FTXCTL6	FTXCTL0	FOUT25	GND	FOUT13	FOUT7	FOUT1	CP9_0	VDD33	CP7_2	CP6_2	CP5_3	GND	CP3_5	CP2_5	CP1_6	VDD33	CP0_1	AH					
AG	PAD13	PAD12	PAD11	PAD10	PAD9	FRXCTL4	FIN31	FIN24	FIN17	FIN11	FIN5	FTXCLK	VDDF	FOUT26	FOUT20	FOUT14	VDDF	FOUT2	CP9_1	CP8_2	CP7_3	CP6_3	CP5_4	CP4_5	CP3_6	CP2_6	CP1_7	CP0_2	AG						
AF	PAD17	PAD16	VDD33	PAD15	PAD14	FRXCTL5	GND	FIN25	FIN18	FIN12	FIN6	GND	FTXCTL1	FOUT27	FOUT21	FOUT15	FOUT8	GND	CP9_2	CP8_3	CP7_4	CP6_4	GND	CP4_6	CP4_0	CP3_0	VDD33	CP1_2	CP0_3	AF					
AE	PAD21	GND	PAD20	PAD19	PAD18	VDDF	FRXCTL0	FIN26	FIN19	GND	FIN7	FIN0	FTXCTL2	FOUT28	VDDF	FOUT16	FOUT9	FOUT3	CP9_3	GND	CP7_5	CP6_5	CP5_5	VDD33	CP4_1	CP3_1	CP2_1	GND	CP0_4	AE					
AD	PAD26	PAD25	PAD24	PAD23	PAD22	FRXCTL6	FRXCTL1	FIN27	FIN20	FIN13	FIN8	FIN1	FTXCTL3	FOUT29	FOUT22	FOUT17	FOUT10	FOUT4	CP9_4	CP8_4	CP7_6	CP6_6	CP5_6	CP4_2	CP3_2	CP2_2	CP1_3	CP0_5	AD						
AC	PAD31	PAD30	PAD29	PAD28	PAD27	FRXCLK	FRXCTL2	FIN28	FIN21	FIN14	FIN9	FIN2	FTXCTL4	FOUT30	FOUT23	FOUT18	FOUT11	FOUT5	CP9_5	CP8_5	CP8_0	CP7_0	CP6_0	CP5_1	CP4_3	CP3_3	CP2_3	CP1_4	CP0_6	AC					
AB	PPAR	PCBEX3	VDD33	PCBEX2	PCBEX1	PCBEX0	GND	PIRDYX	PTRDYX	VDD33	GND	VDDF	GND	VDDF	GND	VDDF	GND	VDD33	GND	VDD33	GND	VDD33	GND	CPA_5	CPA_4	GND	CPA_3	CPA_2	CPA_1	VDD33	CPA_0	CP9_6	AB		
AA	PSERRX	GND	PPERRX	PDEVSELX	PSTOPX	VDD33	PCLK	PRSTX	PREGX	GND	VDD	GND	VDD	GND	VDD	GND	VDD	GND	VDD	GND	VDD	GND	VDD	GND	CPB_5	CPB_4	CPB_3	VDD33	CPB_2	CPB_1	CPB_0	GND	CPA_6	AA	
Y	SPDO	SPDI	SPLD	SPCK	SICL	SIDA	PGNTX	PISEL	PINTA	VDDT	GND	VDD	GND	VDD	GND	VDD	GND	VDD	GND	VDD	GND	VDD	GND	VDD	GND	CPD_0	CPC_6	CPC_5	CPC_4	CPC_3	CPC_2	CPC_1	CPC_0	CPB_6	Y
W	TA15	TA16	TA17	TA18	TA19	TA20	TA21	XPUHOT PFRAMEX			GND	VDD	GND	VDD	GND	VDD	GND	VDD	GND	VDD	GND	VDD	GND	VDD	GND	CPE_2	CPE_1	CPE_0	CPD_6	CPD_5	CPD_4	CPD_3	CPD_2	CPD_1	W
V	TA8	TA9	GND	TA10	TA11	TA12	VDDT	TA13	TA14	VDDT	GND	VDD	GND	VDD	GND	VDD	GND	VDD	GND	VDD	GND	VDD	GND	VDD	GND	CPF_2	CPF_1	VDD33	CPF_0	CPE_6	CPE_5	GND	CPE_4	CPE_3	V
U	TA1	VDDT	TA2	TA3	TA4	GND	TA5	TA6	TA7	GND	VDD	GND	VDD	GND	VDD	GND	VDD	GND	VDD	GND	VDD	GND	VDD	GND	MD2	MD1	MD0	GND	CPF_6	CPF_5	CPF_4	VDD33	CPF_3	U	
T	TA0	TCE0X	TCE1X	TCE2X	TCE3X	TWE0X	TWE1X	TWE2X	TWE3X	VDDT	GND	VDD	GND	VDD	GND	VDD	GND	VDD	GND	VDD	GND	VDD	GND	VDD	GND	MD11	MD10	MD9	MD8	MD7	MD6	MD5	MD4	MD3	T
R	TCLKI	TPAR0	TPAR1	TPAR2	TPAR3	TD60	TD61	TD62	TD63	GND	VDD	GND	VDD	GND	VDD	GND	VDD	GND	VDD	GND	VDD	GND	VDD	GND	MD20	MD19	MD18	MD17	MD16	MD15	MD14	MD13	MD12	R	
P	TD53	TD54	VDDT	TD55	TD56	TD57	GND	TD58	TD59	VDDT	GND	VDD	GND	VDD	GND	VDD	GND	VDD	GND	VDD	GND	VDD	GND	VDD	GND	MD27	MD26	GND	MD25	MD24	MD23	VDD33	MD22	MD21	P
N	TD46	GND	TD47	TD48	TD49	VDDT	TD50	TD51	TD52	GND	VDDT	GND	VDD	GND	VDD	GND	VDD	GND	VDD	GND	VDD	GND	VDD	GND	MD34	MD33	MD32	VDD33	MD31	MD30	MD29	GND	MD28	N	
M	TD37	TD38	TD39	TD40	TD41	TD42	TD43	TD44	TD45	VDDT	GND	VDD	GND	VDD	GND	VDD	GND	VDD	GND	VDD	GND	VDD	GND	VDD	GND	MD43	MD42	MD41	MD40	MD39	MD38	MD37	MD36	MD35	M
L	TD28	TD29	TD30	TD31	TD32	TD33	TD34	TD35	TD36	GND	VDD	GND	VDD	GND	VDD	GND	VDD	GND	VDD	GND	VDD	GND	VDD	GND	MD52	MD51	MD50	MD49	MD48	MD47	MD46	MD45	MD44	L	
K	TD21	TD22	GND	TD23	TD24	TD25	VDDT	TD26	TD27	VDDT	GND	VDD	GND	VDD	GND	VDD	GND	VDD	GND	VDD	GND	VDD	GND	VDD	GND	MD59	MD58	VDD33	MD57	MD56	MD55	GND	MD54	MD53	K
J	TD14	VDDT	TD15	TD16	TD17	GND	TD18	TD19	TD20	GND	VDDT	GND	VDD	GND	VDD	GND	VDD	GND	VDD	GND	VDD	GND	VDD	GND	MD66	MD65	MD64	GND	MD63	MD62	MD61	VDD33	MD60	J	
H	TD5	TD6	TD7	TD8	TD9	TD10	TD11	TD12	TD13	VDDT	GND	VDD33	GND	VDD33	GND	VDD33	GND	VDD33	GND	VDD33	GND	VDD33	GND	VDD33	GND	MD75	MD74	MD73	MD72	MD71	MD70	MD69	MD68	MD67	H
G	QD0	QD6	QD11	QD16	QD23	TD0	TD1	TD2	TD3	TD4	QA13	CPREF	CCLK3	CCLK0	SCLK	MA5	MA11	MDQM	MDECC2	MDECC7	MD84	MD83	MD82	MD81	MD80	MD79	MD78	MD77	MD76	G					
F	QD1	QD7	VDDT	QD17	QD24	QD30	VDDT	QDPH	QA3	QA9	QA14	CCLK6	CCLK4	CCLK1	SCLKX	MA4	MA10	MDQML	MDECC1	MDECC6	MD91	MD90	VDD33	MD89	MD88	MD87	VDD33	MD86	MD85	F					
E	QD2	GND	QD12	QD18	QD25	GND	QBCLKI	QARDY	QA4	GND	QA15	CCLK7	CCLK5	CCLK2	VDD33	MA3	MA9	MBA0	MDECC0	GND	MD98	MD97	MD96	GND	MD95	MD94	MD93	GND	MD92	E					
D	QD3	QD8	QD13	QD19	QD26	QD31	QACLKO	QNQRDY	QA5	QA10	QA16	GND	JSO2	JSO0	JSE	MA2	MA8	GND	MCASX	MDECC5	MD107	MD106	MD105	MD104	MD103	MD102	MD101	MD100	MD99	D					
C	QD4	QD9	GND	QD20	QD27	QWEX	VDDT	QA0	QA6	QA11	QDQPAR	JSO3	VDD33	JCLKBYP	JTCK	MA1	VDD33	MBA1	MRASX	MDECC4	MD114	MD113	VDD33	MD112	MD111	MD110	GND	MD109	MD108	C					
B	QD5	VDDT	QD14	QD21	QD28	GND	QACLKI	QA1	QA7	VDDT	NC3	JSO5	JHIGHZ	JTDI	GND	MA0	MA7	MDCLK	MWEX	VDD33	MD121	MD120	MD119	GND	MD118	MD117	MD116	VDD33	MD115	B					
A	QD10	QD15	QD22	QD29	QBCLKO	QDPL	QA2	QA8	QA12	NC4	JTRSTX	JTDO	JTMS	JSO4	JSO1	MA6	NC5	MCSX	MDECC3	MDECC8	MD129	MD128	MD127	MD126	MD125	MD124	MD123	MD122	A						

Pin Descriptions Grouped by Function

The C-5e NP pins are categorized in groups, reflecting interfaces to the chip:

- Clock Signals
- CP Interface Signals
- Executive Processor System Interface Signals
- Fabric Processor Interface Signals
- BMU SDRAM Interface Signals
- TLU SRAM Interface Signals
- QMU SRAM (Internal Mode) Interface Signals
- QMU to Q-5 TMC (External Mode) Interface Signals
- Power Supply Signals
- Test Signals
- No Connection Pins



Pins conform to Joint Electronic Devices Engineering Council (JEDEC) standards.

LVTTTL and LVPECL Specifications

C-5e NP pins are the following types:

- Low Voltage TTL-Compatible (LVTTTL). The C-5e NP's LVTTTL pins conform to the JEDEC JESD8-B specification.
- Low Voltage Positive Emitter Coupled Logic (LVPECL).



All of the signals in the following tables in this chapter denote whether the individual signal is an Input (I), Output (O), both Input and Output (I/O), or power (P). In addition, a PU, PD, and nc are used. The PU indicates that an internal resistor will pullup the pad if left unconnected. PD indicates an internal pulldown resistor. NC means the pad is to be left unconnected.

Clock Signals Table 6 describes the C-5e NP clock signals.

Table 6 Clock and Reference Signals

SIGNAL NAME	PIN #	TOTAL	TYPE	I/O	SIGNAL DESCRIPTION
SCLK*	G15	1	LVPECL	I	Core Clock Rate (Differential)
SCLKX*	F15	1	LVPECL	I	
CCLK0	G14	1	LVTTL	I _{PD}	1_544MHZ_CLK (T1)†
CCLK1	F14	1	LVTTL	I _{PD}	2_048MHZ_CLK (E1)†
CCLK2	E14	1	LVTTL	I _{PD}	34_368MHZ_CLK (E3)†
CCLK3	G13	1	LVTTL	I _{PD}	44_736MHZ_CLK (T3)†
CCLK4	F13	1	LVTTL	I _{PD}	50MHZ_CLK (100Mbit Ethernet)†
CCLK5	E13	1	LVTTL	I _{PD}	106_25MHZ_CLK (Fibre Channel)†
CCLK6	F12	1	LVTTL	I _{PD}	125MHZ_CLK (Gigabit Ethernet)†
CCLK7	E12	1	LVTTL	I _{PD}	155_52MHZ_CLK (OC-3)†
CPREF‡	G12	1	LVPECL	I _{PD}	Reference
TOTAL		11			

* SCLK and SCLKX must not be AC-coupled.

† The frequencies specified for CCLK0 - CCLK7 allow full flexibility for the C-5e NP. It is also possible to use one or more CCLK n inputs for other frequencies. Contact your Motorola representative for more information.

‡ If any of the CPs are configured for LVPECL operation (OC3) using the pin mode registers, then CPREF must be wired to an external reference, as specified in Table 38 on page 75. If none of the CPs are configured for LVPECL operation, then the CPREF pin can be left unconnected.

CP Interface Signals

The C-5e NP's 16 CPs support various network physical interfaces, providing a serial interface to the PHY layer. Interfaces are configured via bits in the C-5e NP register set. Many interfaces are possible by programming the configuration registers. CPs can be used individually or in a cluster (four CPs) to implement the various interfaces.

[Table 7](#) provides a quick reference of all the CP pins organized by clusters. There are seven physical I/O pins associated with each CP. All pins are capable of receiving data, with some configurable to be input clocks, output clocks, or data drivers. In addition, pairs of pins can be configured as differential pairs for LVPECL compatibility.

In the case of RMII, OC-3, DS1, and DS3, the drivers and receivers at the pin are locally configured to match the relevant PHY or Framer chip. OC-12 uses the aggregation of four CPs (one cluster), while GMII and Ten Bit Interface (TBI) can use either eight CPs (four for receive and four for transmit) or four CPs that share the transmit and receive functions for non-wire speed applications.

During CP aggregation, all 28 pins associated with a cluster are routed to all of the Serial Data Processors (SDPs) in that cluster. This allows round-robin usage of portions of the SDPs, with each getting access to the necessary I/O pins.

The signals for the following CP physical interfaces are included in this section:

- [DS1/T1 Framer Interface Configuration](#)
- [10/100 Ethernet \(RMII\) Configuration](#)
- [Gigabit Ethernet \(GMII\) Configuration](#)
- [Gigabit Ethernet and Fibre Channel TBI Configuration](#)
- [SONET OC-3 Transceiver Interface Configuration](#)
- [SONET OC-12 Transceiver Interface Configuration](#)

Table 7 CP Physical Interface Signals and Pins (Grouped by Clusters)

CP CLUSTER 1		CP CLUSTER 2		CP CLUSTER 3		CP CLUSTER 4	
SIGNAL	PIN #	SIGNAL	PIN #	SIGNAL	PIN #	SIGNAL	PIN #
CP0_0	AJ29	CP4_0	AF25	CP8_0	AC21	CPC_0	Y28
CP0_1	AH29	CP4_1	AE25	CP8_1	AJ20	CPC_1	Y27
CP0_2	AG29	CP4_2	AD25	CP8_2	AG20	CPC_2	Y26
CP0_3	AF29	CP4_3	AC25	CP8_3	AF20	CPC_3	Y25
CP0_4	AE29	CP4_4	AJ24	CP8_4	AD20	CPC_4	Y24
CP0_5	AD29	CP4_5	AG24	CP8_5	AC20	CPC_5	Y23
CP0_6	AC29	CP4_6	AF24	CP8_6	AJ19	CPC_6	Y22
CP1_0	AJ28	CP5_0	AD24	CP9_0	AH19	CPD_0	Y21
CP1_1	AG28	CP5_1	AC24	CP9_1	AG19	CPD_1	W29
CP1_2	AF28	CP5_2	AJ23	CP9_2	AF19	CPD_2	W28
CP1_3	AD28	CP5_3	AH23	CP9_3	AE19	CPD_3	W27
CP1_4	AC28	CP5_4	AG23	CP9_4	AD19	CPD_4	W26
CP1_5	AJ27	CP5_5	AE23	CP9_5	AC19	CPD_5	W25
CP1_6	AH27	CP5_6	AD23	CP9_6	AB29	CPD_6	W24
CP2_0	AG27	CP6_0	AC23	CPA_0	AB28	CPE_0	W23
CP2_1	AE27	CP6_1	AJ22	CPA_1	AB26	CPE_1	W22
CP2_2	AD27	CP6_2	AH22	CPA_2	AB25	CPE_2	W21
CP2_3	AC27	CP6_3	AG22	CPA_3	AB24	CPE_3	V29
CP2_4	AJ26	CP6_4	AF22	CPA_4	AB22	CPE_4	V28
CP2_5	AH26	CP6_5	AE22	CPA_5	AB21	CPE_5	V26
CP2_6	AG26	CP6_6	AD22	CPA_6	AA29	CPE_6	V25
CP3_0	AF26	CP7_0	AC22	CPB_0	AA27	CPF_0	V24
CP3_1	AE26	CP7_1	AJ21	CPB_1	AA26	CPF_1	V22
CP3_2	AD26	CP7_2	AH21	CPB_2	AA25	CPF_2	V21
CP3_3	AC26	CP7_3	AG21	CPB_3	AA23	CPF_3	U29
CP3_4	AJ25	CP7_4	AF21	CPB_4	AA22	CPF_4	U27
CP3_5	AH25	CP7_5	AE21	CPB_5	AA21	CPF_5	U26
CP3_6	AG25	CP7_6	AD21	CPB_6	Y29	CPF_6	U25

DS1/T1 Framer Interface Configuration

Table 8 describes the serial framer interface signals. For each CP (0-15), you can implement one serial Framer interface.

Table 8 DS1/T1 Framer Interface Signals

SIGNAL NAME*	PIN #†	TOTAL	TYPE	I/O	LABEL	SIGNAL DESCRIPTION
CP _n _0	Table 7	1	LVTTTL	O _{PD}	TCLK	Transmit Clock (1.544MHz)
CP _n _1	Table 7	1	LVTTTL	I _{PU}	RCLK	Receive Clock (1.544MHz)
CP _n _2	Table 7	1	LVTTTL	O _{PD}	TData	Transmit Data
CP _n _3	Table 7	1	LVTTTL	O _{PU}	TFrame	Transmit Frame Synchronization
CP _n _4	Table 7	1	LVTTTL	I _{PD}	RData	Receive Data
CP _n _5	Table 7	1	LVTTTL	I _{PU}	RFrame	Receive Frame Synchronization
CP _n _6	Table 7	1	nc	nc _{PU}	nc	nc
TOTAL PINS		7				

* *n* can be from 0 to 15. See Table 7.

† Reference Table 7 for pin numbers for the actual cluster(s) you are configuring.

10/100 Ethernet (RMII) Configuration

Table 9 describes the 10/100BASE-T Ethernet Reduced Media Independent Interface (RMII) signals. For each CP (0-15), you can implement one 10/100 Ethernet interface.

Table 9 10/100 Ethernet Signals

SIGNAL NAME*	PIN #	TOTAL	TYPE	I/O	LABEL	SIGNAL DESCRIPTION
CP _n _0	Table 7	1	LVTTTL	O _{PD}	REF_CLK	Transmit and Receive Clock (50MHz)
CP _n _1	Table 7	1	LVTTTL	I _{PU}	CRS_DV	Carrier Sense (CRS)/ Receive Data Valid (RX_DV). CRS indicates that traffic is on the link, and is asserted if the signal is a 1 or an alternating 1010... RX_DV indicates that a receive frame is in progress and the data present on the RXD pins is valid. It is asserted if this signal is a 1 for more than one cycle.
CP _n _2	Table 7	1	LVTTTL	O _{PD}	TXD(0)	Transmit Data 0 (first on wire)
CP _n _3	Table 7	1	LVTTTL	O _{PU}	TXD(1)	Transmit Data 1 (second on wire)
CP _n _4	Table 7	1	LVTTTL	I _{PD}	RXD(0)	Receive Data 0 (first on wire)
CP _n _5	Table 7	1	LVTTTL	I _{PU}	RXD(1)	Receive Data 1 (second on wire)
CP _n _6	Table 7	1	LVTTTL	O _{PU}	TX_EN	Transmit Enable. When asserted, the data on TXD is encoded and transmitted on the twisted pair cable.
TOTAL PINS		7				

* *n* can be from 0 to 15. See Table 7.

Gigabit Ethernet (GMII) Configuration

Gigabit Ethernet Media Independent Interface (GMII) is configured in one of two ways:

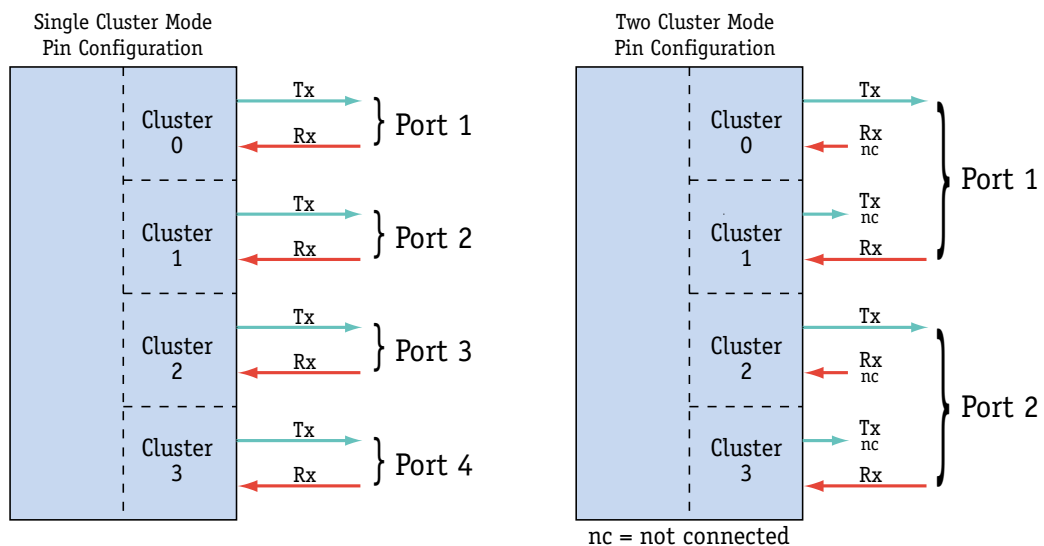
- Use one CP cluster when density is more important than wire-speed performance because you can then implement up to four Gigabit Ethernet ports per C-5e NP.
- Use two CP clusters for wire-speed performance and additional processing power. You can implement up to two Gigabit Ethernet ports per C-5e NP.

[Table 10](#) lists the possible CP cluster combinations you can use and [Figure 4](#) shows receive and transmit pin configurations by cluster. [Table 11](#) lists the signals and pinouts for Gigabit Ethernet (GMII).

Table 10 Transmit and Receive Pin Combinations for Gigabit Ethernet and Fibre Channel

CLUSTER	SINGLE CLUSTER MODE (TBI OR GMII)	TWO CLUSTER MODE (GMII)*
0	Port 1 Tx and Rx	Port 1 Tx
1	Port 2 Tx and Rx	Port 1 Rx
2	Port 3 Tx and Rx	Port 2 Tx
3	Port 4 Tx and Rx	Port 2 Rx

* The Two Cluster Mode column lists typical configurations. Any cluster can be set up to either receive or transmit. So you could configure a dual cluster mode where cluster 0 receives and cluster 3 transmits.

Figure 4 GMII/TBI Transmit and Receive Pin Configurations**Table 11** Gigabit Ethernet (GMII/MII) Signals One Cluster Example

SIGNAL NAME*	PIN #†	TOTAL	TYPE	I/O	LABEL	SIGNAL DESCRIPTION
CPn_0	Table 7	1	LVTTTL	O _{PD}	T_CLK	GMII Transmit Clock (125MHz). This clock is used to synchronize the transmit data.
CPn_1	Table 7	1	LVTTTL	I _{PU}	TCLKI	MII transmit clock. Transmit data aligned to this clock input from phy in MII mode. 25 Mhz in 100BaseT, 2.5 in Mhz in 10BaseT
CPn_2	Table 7	1	LVTTTL	O _{PD}	TXD(0)	Transmit Data (byte-wide data, least significant bit)
CPn_3	Table 7	1	LVTTTL	O _{PU}	TXD(1)	Transmit Data
CPn_4	Table 7	1	LVTTTL	O _{PD}	TXD(2)	Transmit Data
CPn_5	Table 7	1	LVTTTL	O _{PU}	TXD(3)	Transmit Data
CPn_6	Table 7	1	LVTTTL	O _{PU}	TX_EN	Transmit Enable. When asserted, the data on TXD is encoded and transmitted on the twisted pair cable.

Table 11 Gigabit Ethernet (GMII/MII) Signals One Cluster Example (continued)

SIGNAL NAME*	PIN #†	TOTAL	TYPE	I/O	LABEL	SIGNAL DESCRIPTION
CPn+1_0	Table 7	1	nc	nC _{PD}	nc	nc
CPn+1_1	Table 7	1	LVTTTL	I _{PU}	COL	Collision. Asserted when both RX_DV and TX_EN are valid during half duplex operation.
CPn+1_2	Table 7	1	LVTTTL	O _{PD}	TXD(4)	Transmit Data
CPn+1_3	Table 7	1	LVTTTL	O _{PU}	TXD(5)	Transmit Data
CPn+1_4	Table 7	1	LVTTTL	O _{PD}	TXD(6)	Transmit Data
CPn+1_5	Table 7	1	LVTTTL	O _{PU}	TXD(7)	Transmit Data (byte-wide receive data, most significant bit)
CPn+1_6	Table 7	1	LVTTTL	O _{PU}	TX_ER	Transmit Error. Asserting TX_ER when TX_EN is a 1 causes transmission of the designated "bad code" in lieu of the normal encoded data on the twisted pair data.
CPn+2_0	Table 7	1	nc	nC _{PD}	nc	nc
CPn+2_1	Table 7	1	LVTTTL	I _{PU}	RCLK	Receive Clock (125MHz)
CPn+2_2	Table 7	1	LVTTTL	I _{PD}	RXD(0)	Receive Data (byte-wide receive data, least significant bit)
CPn+2_3	Table 7	1	LVTTTL	I _{PU}	RXD(1)	Receive Data
CPn+2_4	Table 7	1	LVTTTL	I _{PD}	RXD(2)	Receive Data
CPn+2_5	Table 7	1	LVTTTL	I _{PU}	RXD(3)	Receive Data
CPn+2_6	Table 7	1	LVTTTL	I _{PU}	RX_DV	Receive Data Valid. Indicates that there is a receive frame in progress and that the data present on the RXD signals is valid.
CPn+3_0	Table 7	1	nc	nC _{PD}	nc	nc
CPn+3_1	Table 7	1	LVTTTL	I _{PU}	CRS	Carrier Sense. Indicates traffic is on the link. CRS is asserted when a non-idle condition is detected on the receive data stream. CRS is deasserted when an end of frame or idle condition is detected.
CPn+3_2	Table 7	1	LVTTTL	I _{PD}	RXD(4)	Receive Data
CPn+3_3	Table 7	1	LVTTTL	I _{PU}	RXD(5)	Receive Data
CPn+3_4	Table 7	1	LVTTTL	I _{PD}	RXD(6)	Receive Data
CPn+3_5	Table 7	1	LVTTTL	I _{PU}	RXD(7)	Receive Data (most significant bit)
CPn+3_6	Table 7	1	LVTTTL	I _{PU}	RX_ER	Receive Error Detected. Indicates that there has been an error received in the receive frame.
TOTAL PINS		28				

* n can be 0, 4, 8, or 12.

† Reference Table 7 for pin numbers for the actual cluster(s) you are configuring.

Gigabit Ethernet and Fibre Channel TBI Configuration

1000BASE-T Gigabit Ethernet and Fibre Channel TBI is implemented in much the same way as Gigabit Ethernet (GMII). [Table 10](#) shows the possible CP pin combinations you can use and [Figure 4](#) shows receive and transmit pin configurations by cluster. [Table 12](#) shows the signals and pinouts for a single cluster for Gigabit Ethernet and Fibre Channel TBI.



The unused pins for the two cluster configurations should be wired down using a resistor.

Table 12 Gigabit Ethernet and Fibre Channel TBI Signals Example

SIGNAL NAME*	PIN #†	TOTAL	TYPE	I/O	LABEL	SIGNAL DESCRIPTION
CPn_0	Table 7	1	LVTTL	O _{PD}	TCLK	Transmit Clock (125MHz). This clock is used to synchronize the transmit data.
CPn_1	Table 7	1	nc	nC _{PU}	nc	nc
CPn_2	Table 7	1	LVTTL	O _{PD}	TXD(9)	Transmit Data (ten bits wide, last on wire)
CPn_3	Table 7	1	LVTTL	O _{PU}	TXD(8)	Transmit Data
CPn_4	Table 7	1	LVTTL	O _{PD}	TXD(7)	Transmit Data
CPn_5	Table 7	1	LVTTL	O _{PU}	TXD(6)	Transmit Data
CPn_6	Table 7	1	LVTTL	O _{PU}	TXD(1)	Transmit Data
CPn+1_0	Table 7	1	nc	nC _{PD}	nc	nc
CPn+1_1	Table 7	1	nc	nC _{PU}	nc	nc
CPn+1_2	Table 7	1	LVTTL	O _{PD}	TXD(5)	Transmit Data
CPn+1_3	Table 7	1	LVTTL	O _{PU}	TXD(4)	Transmit Data
CPn+1_4	Table 7	1	LVTTL	O _{PD}	TXD(3)	Transmit Data
CPn+1_5	Table 7	1	LVTTL	O _{PU}	TXD(2)	Transmit Data
CPn+1_6	Table 7	1	LVTTL	O _{PU}	TXD(0)	Transmit Data (ten bits wide, first on wire)
CPn+2_0	Table 7	1	nc	nC _{PD}	nc	nc
CPn+2_1	Table 7	1	LVTTL	I _{PU}	RCLK	Receive Clock (62.5 MHz)
CPn+2_2	Table 7	1	LVTTL	I _{PD}	RXD(9)	Receive Data (ten bits wide, last on wire)
CPn+2_3	Table 7	1	LVTTL	I _{PU}	RXD(8)	Receive Data
CPn+2_4	Table 7	1	LVTTL	I _{PD}	RXD(7)	Receive Data
CPn+2_5	Table 7	1	LVTTL	I _{PU}	RXD(6)	Receive Data
CPn+2_6	Table 7	1	LVTTL	I _{PU}	RXD(1)	Receive Data

Table 12 Gigabit Ethernet and Fibre Channel TBI Signals Example (continued)

SIGNAL NAME*	PIN #†	TOTAL	TYPE	I/O	LABEL	SIGNAL DESCRIPTION
CPn+3_0	Table 7	1	nc	nc _{PD}	nc	nc
CPn+3_1	Table 7	1	LVTTTL	I _{PU}	RCLKN	Receive Clock Inverted
CPn+3_2	Table 7	1	LVTTTL	I _{PD}	RXD(5)	Receive Data
CPn+3_3	Table 7	1	LVTTTL	I _{PU}	RXD(4)	Receive Data
CPn+3_4	Table 7	1	LVTTTL	I _{PD}	RXD(3)	Receive Data
CPn+3_5	Table 7	1	LVTTTL	I _{PU}	RXD(2)	Receive Data
CPn+3_6	Table 7	1	LVTTTL	I _{PU}	RXD(0)	Receive Data (ten bits wide, first on wire)
TOTAL PINS		28				

* n can be 0, 4, 8, or 12

† Reference Table 7 for pin numbers for the actual cluster(s) you are configuring.

SONET OC-3 Transceiver Interface Configuration

Table 13 describes the SONET Optical Carrier (OC) 3 transceiver interface signals. For each CP (0-15), you can implement a single OC-3 interface.

Table 13 OC-3 Signals

SIGNAL NAME*	PIN #†	TOTAL	TYPE	I/O	LABEL	SIGNAL DESCRIPTION
CPn_0	Table 7	1	LVPECL	I _{PD}	RCLK_H	Receive Clock noninverted side of pair (155.52MHz)
CPn_1	Table 7	1	LVPECL	I _{PU}	RCLK_L	Receive Clock inverted side of pair (155.52MHz)
CPn_2	Table 7	1	LVPECL	O _{PD}	TXD_H	Transmit Data noninverted side of pair
CPn_3	Table 7	1	LVPECL	I _{PU}	TXD_L	Transmit Data inverted side of pair
CPn_4	Table 7	1	LVPECL	I _{PD}	RXD_H	Receive Data noninverted side of pair
CPn_5	Table 7	1	LVPECL	I _{PU}	RXD_L	Receive Data inverted side of pair
CPn_6	Table 7	1	LVPECL	I _{PU}	SIGNAL_DET	A light level above a certain threshold is present at the optical receiver - single ended LVPECL.
TOTAL PINS		7				

* n can be from 0 to 15.

† Reference Table 7 for pin numbers for the actual cluster(s) you are configuring.

SONET OC-12 Transceiver Interface Configuration

SONET Optical Carrier (OC) 12 is implemented by using one cluster of CPs. At any time, a CP within a cluster spends half its time performing receive functions, and the other half performing transmit functions. Table 14 shows a CP Cluster configured for one OC-12 interface.

Table 14 OC-12 Signals Example

SIGNAL NAME*	PIN #†	TOTAL	TYPE	I/O	LABEL	SIGNAL DESCRIPTION
CPn_0	Table 7	1	LVTTL	O _{PD}	TCLK	Deskewed Transmit Clock (77.76MHz). This clock is used to synchronize the transmit data.
CPn_1	Table 7	1	LVTTL	I _{PU}	TCLKI	Transceiver Transmit Clock. This clock sets the frequency of the transmit data and is typically sourced by the PHY chip.
CPn_2	Table 7	1	LVTTL	O _{PD}	TXD(0)	Transmit Data (byte-wide data, least significant bit)
CPn_3	Table 7	1	LVTTL	O _{PU}	TXD(1)	Transmit Data
CPn_4	Table 7	1	LVTTL	O _{PD}	TXD(2)	Transmit Data
CPn_5	Table 7	1	LVTTL	O _{PU}	TXD(3)	Transmit Data
CPn_6	Table 7	1	LVTTL	O _{PU}	00F	Out of Frame
CPn+1_0	Table 7	1	nc	nC _{PD}	nc	nc
CPn+1_1	Table 7	1	nc	nC _{PU}	nc	nc
CPn+1_2	Table 7	1	LVTTL	O _{PD}	TXD(4)	Transmit Data
CPn+1_3	Table 7	1	LVTTL	O _{PU}	TXD(5)	Transmit Data
CPn+1_4	Table 7	1	LVTTL	O _{PD}	TXD(6)	Transmit Data
CPn+1_5	Table 7	1	LVTTL	O _{PU}	TXD(7)	Transmit Data (byte-wide data, most significant bit)
CPn+1_6	Table 7	1	nc	nC _{PU}	nc	nc
CPn+2_0	Table 7	1	nc	nC _{PD}	nc	nc
CPn+2_1	Table 7	1	LVTTL	I _{PU}	RCLK	Receive Clock (77.76MHz)
CPn+2_2	Table 7	1	LVTTL	I _{PD}	RXD(0)	Receive Data (byte-wide receive data, least significant bit)
CPn+2_3	Table 7	1	LVTTL	I _{PU}	RXD(1)	Receive Data
CPn+2_4	Table 7	1	LVTTL	I _{PD}	RXD(2)	Receive Data
CPn+2_5	Table 7	1	LVTTL	I _{PU}	RXD(3)	Receive Data
CPn+2_6	Table 7	1	LVTTL	I _{PU}	FP	Frame Synchronization Pulse. This is valid during the third A2 of the receive SONET frame.

Table 14 OC-12 Signals Example (continued)

SIGNAL NAME*	PIN #†	TOTAL	TYPE	I/O	LABEL	SIGNAL DESCRIPTION
CPn+3_0	Table 7	1	nc	nC _{PD}	nc	nc
CPn+3_1	Table 7	1	nc	nC _{PU}	nc	nc
CPn+3_2	Table 7	1	LVTTL	I _{PD}	RXD(4)	Receive Data
CPn+3_3	Table 7	1	LVTTL	I _{PU}	RXD(5)	Receive Data
CPn+3_4	Table 7	1	LVTTL	I _{PD}	RXD(6)	Receive Data
CPn+3_5	Table 7	1	LVTTL	I _{PU}	RXD(7)	Receive Data (most significant bit)
CPn+3_6	Table 7	1	nc	nC _{PU}	nc	nc
TOTAL PINS		28				

* n can be 0, 4, 8, or 12

† Reference Table 7 for pin numbers for a different cluster.

Executive Processor System Interface Signals

The XP's system interface manages the supervisory controls for the network interfaces, as well as the set of pins that provide interfaces to other components in the system that are not memories or network interfaces. It is also the primary interface used for initializing the C-5e NP after reset. The XP signals include PCI signals, Serial interface signals, and PROM interface signals.

PCI Signals

The PCI can be configured to support a 32bit PCI capable of operating at either 33MHz or 66MHz. The PCI is fully compliant with PCI Specification revision 2.1. [Table 15](#) describes the PCI signals.

Table 15 PCI Signals

SIGNAL NAME	PIN #	TOTAL	TYPE	I/O	SIGNAL DESCRIPTION
PAD0 - PAD31	AJ5, AJ4, AJ3, AJ2, AJ1, AH5, AH4, AH3, AH1, AG5, AG4, AG3, AG2, AG1, AF5, AF4, AF2, AF1, AE5, AE4, AE3, AE1, AD5, AD4, AD3, AD2, AD1, AC5, AC4, AC3, AC2, AC1	32	PCI	I/O	Multiplexed Address/Data Bus. These signals are multiplexed address and data bits. The C-5e NP receives addresses as target and drives addresses as master. It drives the data and receives read data as master.
PCBEX0 - PCBEX3	AB6, AB5, AB4, AB2	4	PCI	I/O	Command byte enables. These signals are multiplexed command and byte enabled signals. The C-5e NP receives byte enables as target and drives byte enables as master.
PPAR	AB1	1	PCI	I/O	Parity. This signal carries even parity for AD and CBE# pins. It has the same receive and drive characteristics as the address and data bus, except that it is one PCI cycle later.
PFRAMEX	W9	1	PCI	I/O	Cycle frame
PTRDYX	AB9	1	PCI	I/O	Target ready for data transfer
PIRDYX	AB8	1	PCI	I/O	Initiator ready for data transfer
PSTOPX	AA5	1	PCI	I/O	Target transaction stop request
PDEVSELX	AA4	1	PCI	I/O	Target device selected
PPERRX	AA3	1	PCI	I/O	Bus parity error
PSERRX	AA1	1	PCI	I/O	System error
PCLK	AA7	1	I _{PD}	I	Bus clock
PRSTX	AA8	1	PCI	I	Bus reset
PREQX	AA9	1	PCI	O	Initiator bus request (arbitration)

Table 15 PCI Signals (continued)

SIGNAL NAME	PIN #	TOTAL	TYPE	I/O	SIGNAL DESCRIPTION
PGNTX	Y7	1	I _{PD}	I	Initiator bus grant (arbitration)
PIDSEL	Y8	1	PCI	I	Initialization device select
PINTA	Y9	1	PCI	O	Interrupt
TOTAL PINS		50			

Serial Interface Signals

The Serial interface is a bidirectional two-wire serial bus. It can use one of the following formats:

- An 8bit data format followed by an acknowledge bit, which supports transfers at up to 400kbps (low speed).
- A 16bit IEEE 802.3 MDIO data format with 10bits of addressing, which supports transfers up to 25MHz (high speed).

The signals and pins are identical for both the high and low speed protocols.



Which of the two data rates used is selected by the state of the PROM interface's SPLD signal that is asserted while the PROM interface is idle. When SPLD is asserted HI the low speed serial bus protocol is selected and when SPLD is asserted LOW the MDIO protocol is selected.

The bus only supports a single master hierarchy that can operate as either a receiver or a transmitter.

Both SIDA and SICL are bidirectional lines that are connected, through a pull-up resistor, to a positive supply voltage. When the bus is free, both lines are HIGH. The output stages of the devices connected to the bus must have either an open-drain or open-collector in order to perform the wired-AND function required for its arbitration mechanism.

Table 16 Serial Interface Signals

SIGNAL NAME	PIN #	TOTAL	TYPE	I/O	SIGNAL DESCRIPTION
SICL	Y5	1	LVTTTL	I _{PD} /O	Serial Clock line
SIDA	Y6	1	LVTTTL	I _{PD} /O	Serial Data line
TOTAL PINS		2			

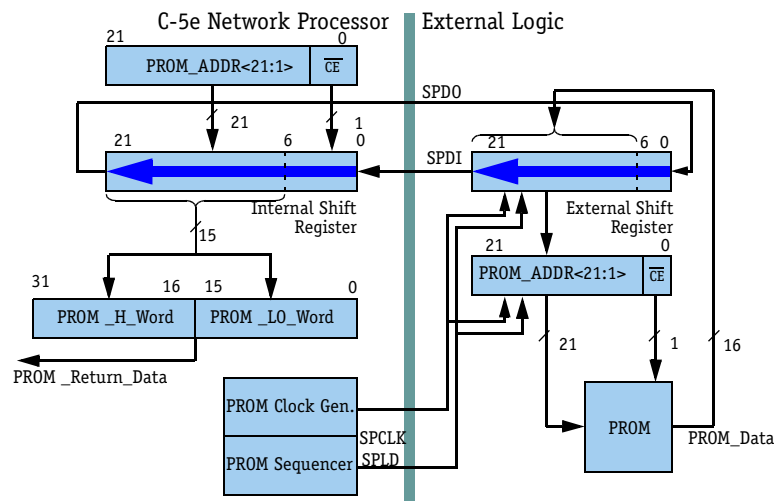
PROM Interface Signals

The PROM interface is a low speed I/O port that allows the C-5e NP to communicate through external logic to PROM. The PROM clock is $1/2$ to $1/16$ the core clock rate. The maximum PROM size addressable is 4MBytes, and must use a “by 16” part. The PROM signals are listed in [Table 17](#).

Table 17 PROM Interface Signals

SIGNAL NAME	PIN #	TOTAL	TYPE	I/O	SIGNAL DESCRIPTION
SPDO	Y1	1	LVTTTL	O	Serial Data Out
SPDI	Y2	1	LVTTTL	I _{PD}	Serial Data In
SPLD	Y3	1	LVTTTL	O	When load is asserted on a positive clock edge, the external logic performs a parallel load. On each positive clock edge when load is de-asserted, the shift registers shift. When the PROM interface is idle: <ul style="list-style-type: none"> • If SPLD is asserted HI it indicates low speed serial protocol, • If asserted LOW it indicates MDIO serial protocol.
SPCK	Y4	1	LVTTTL	O	Clock
TOTAL PINS		4			

[Figure 5](#) shows the connections between the PROM Interface and external board logic. The application is required to provide an external shift register with parallel-in and parallel-out capabilities, and a parallel load register. Both devices should be positive-edge-triggered and perform a parallel load whenever SPLD is asserted. When SPLD is deasserted the shift register shifts.

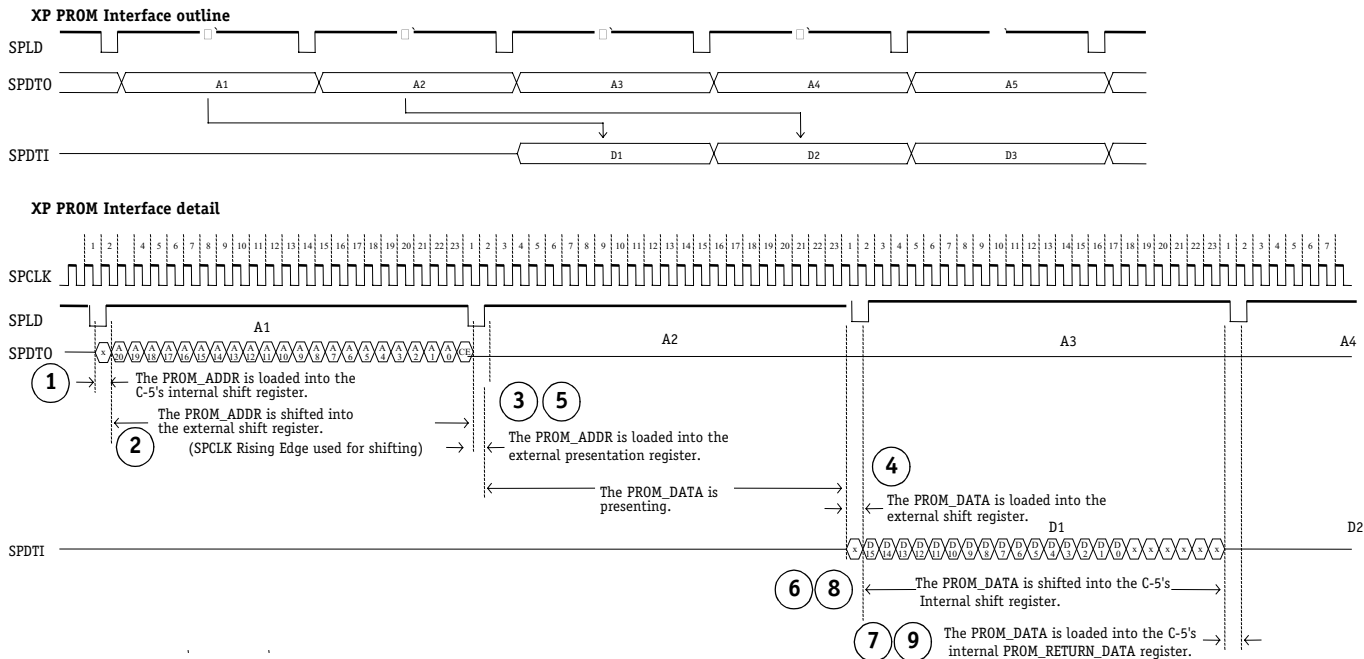
Figure 5 PROM Interface Diagram

The PROM interface operates in the following manner (Note that two accesses are pipelined together to execute one 32-bit fetch). The steps are shown in [Figure 6](#).

- 1 The PROM_ADDR is loaded into the network processor internal shift register.
- 2 The PROM_ADDR is shifted into the external shift register for 22 SPCLK cycles.
- 3 SPLD is asserted for one SPCLK cycle, loading the PROM_ADDR into the external presentation register.
- 4 SPLD is deasserted for 22 SPCLK cycles. The PROM presents the first 16bit PROM_DATA. At the same time, the next PROM_ADDR is shifted into the external shift register.
- 5 SPLD is asserted for one SPCLK cycle, loading the PROM_ADDR into the external presentation register and the first PROM_DATA into the external shift register.
- 6 SPLD is deasserted for 22 SPCLK cycles, shifting the first PROM_DATA into the network processor internal shift register.
- 7 SPLD is asserted for one SPCLK cycle, loading the first PROM_DATA into the network processor PROM_RETURN_DATA register and the second PROM_DATA into the external shift register.

- 8 SPLD is deasserted for 22 SPCLK cycles, shifting the second PROM_DATA into the network processor internal shift register.
- 9 SPLD is asserted for one SPCLK cycle, loading the second PROM_DATA into the network processor PROM_RETURN_DATA register.

Figure 6 PROM Interface Timing Outline



General System Interface Signal

Table 18 provides the signal for the Executive Processor reset power status and I/O clock. The C-5e NP can be powered up with the XP either running or with the XP in reset mode similar to the CPs. When the XP remains in reset mode, an external host can be used to control the initialization of the C-5e NP.

Table 18 General System Interface Signal

SIGNAL NAME	PIN #	TOTAL	TYPE	I/O	SIGNAL DESCRIPTION
XPUHOT	W8	1	LVTTL	I _{PD}	Sample at Power On Reset determines if the XP RISC Core is held in reset. Low equals reset and High equals active. During normal operation, this is an external interrupt.
TOTAL PINS		1			

Fabric Processor Interface Signals

The FP has logical signal interfaces: a receive data interface and a transmit data interface, each with its own control, data, and clock signals. The interface has the following characteristic:

The interface clocks FRXCLK and FTXCLK can have a different frequency from the core C-5e NP clock frequency. The FP supports a fabric interface frequency from 10MHz to 125MHz.

FRXCLK and FTXCLK can be independent of each other; typically they have the same frequency, but are allowed to be skewed relative to each other.

Each data bus can be configured for widths of 8 (data bits 7:0 are used), 16 (bits 15:0), or 32 (bits 31:0). In 8bit mode, data bits 31:8 are unused. In 16bit mode, data bits 31:16 are unused.

Table 19 Fabric Interface Signals

SIGNAL NAME	PIN #	TOTAL	TYPE	I/O	SIGNAL DESCRIPTION
FIN0 - FIN31	AE12, AD12, AC12, AJ11, AH11, AG11, AF11, AE11, AD11, AC11, AJ10, AG10, AF10, AD10, AC10, AJ9, AH9, AG9, AF9, AE9, AD9, AC9, AJ8, AH8, AG8, AF8, AE8, AD8, AC8, AJ7, AH7, AG7	32	LVTTTL	I _{PD}	Fabric Data Bus In
FOUT0 - FOUT31	AJ18, AH18, AG18, AE18, AD18, AC18, AJ17, AH17, AF17, AE17, AD17, AC17, AJ16, AH16, AG16, AF16, AE16, AD16, AC16, AJ15, AG15, AF15, AD15, AC15, AJ14, AH14, AG14, AF14, AE14, AD14, AC14, AJ13	32	LVTTTL	O	Fabric Data Bus Out
FRXCLK	AC6	1	LVTTTL	I _{PD}	Receive Clock
FTXCLK	AG12	1	LVTTTL	I _{PD}	Transmit Clock
FRXCTL0 - FRXCTL6	AE7, AD7, AC7, AJ6, AG6, AF6, AD6	7	LVTTTL	I _{PD} , O	Receive Control Signals
FTXCTL0 - FTXCTL6	AH13, AF13, AE13, AD13, AC13, AJ12, AH12	7	LVTTTL	I _{PD} , O	Transmit Control Signals
TOTAL PINS		80			

The following tables list the Fabric Interface pin mappings:

- Utopia1, Utopia2, Utopia3 ATM Mode mappings are listed in [Table 20](#)
- Utopia1, Utopia2, Utopia3 PHY Mode mappings are listed in [Table 21](#)
- PRIZMA Mode mappings are listed in [Table 22](#) (PRIZMA protocol is a subset of Utopia3 PHY)

- Power X(CSIX-L0) Mode mappings are listed in [Table 23](#)
- CSIX-L1 Mode mappings are listed in [Table 24](#)

Table 20 Utopia1*, 2*, 3 ATM Mode, C-5e Network Processor to Fabric Interface Pin Mapping

RECEIVE SIGNALS				TRANSMIT SIGNALS			
C-5E NETWORK PROCESSOR	I/O	UTOPIA	NOTE	C-5E NETWORK PROCESSOR	I/O	UTOPIA	NOTE
FRXCTL0	Output	RxEnb*	Pullup or No Connection	FTXCTL0	Output	TxEnb*	Pullup or No Connection
FRXCTL1	Input	RxClav		FTXCTL1	Input	TxClav	
FRXCTL2	Input	RxSOC		FTXCTL2	Output	TxSOC	
FRXCTL3	Input	n/a		FTXCTL3	Input	n/a	
FRXCTL4	Input	n/a		FTXCTL4	Input	n/a	
FRXCTL5	Input	n/a		FTXCTL5	Input	n/a	
FRXCTL6	Input	RxPrty		FTXCTL6	Output	TxPrty	

* Cell size must be 4Byte aligned. Both RxEnb and TxEnb are Active Low.

Table 21 Utopia1*, 2*, 3 PHY Mode, C-5e Network Processor to Fabric Interface Pin Mapping

RECEIVE SIGNALS				TRANSMIT SIGNALS			
C-5E NETWORK PROCESSOR	I/O	UTOPIA	NOTE	C-5E NETWORK PROCESSOR	I/O	UTOPIA	NOTE
FRXCTL0	Input	TxEnb*	Pullup	FTXCTL0	Input	RxEnb*	Pullup
FRXCTL1	Output	TxClav	No Connection	FTXCTL1	Output	RxClav	No Connection
FRXCTL2	Input	TxSOC		FTXCTL2	Output	RxSOC	
FRXCTL3	Input	n/a		FTXCTL3	Input	n/a	
FRXCTL4	Input	n/a		FTXCTL4	Input	n/a	
FRXCTL5	Input	n/a		FTXCTL5	Input	n/a	
FRXCTL6	Input	TxPrty		FTXCTL6	Output	RxPrty	

* Cell size must be 4Byte aligned. Both TxEnb and RxEnb are Active Low.



When configuring two C-5e network processors back-to-back using the Fabric Port, set up the transmit side of each C-5e network processor in Utopia ATM mode and the receive side of each C-5e network processor in Utopia PHY mode.

Table 22 PRIZMA Mode, C-5e Network Processor to Fabric Interface Pin Mapping

RECEIVE SIGNALS				TRANSMIT SIGNALS			
C-5E NETWORK PROCESSOR	I/O	UTOPIA	NOTE	C-5E NETWORK PROCESSOR	I/O	UTOPIA	NOTE
FRXCTL0	Input	TxEb*	Not connected to fabric.	FTXCTL0	Input	RxEb*	Not connected to fabric.
FRXCTL1	Output	TxClav	No connection	FTXCTL1	Output	RxClav	No Connection
FRXCTL2	Input	TxSOP		FTXCTL2	Output	RxSOP	
FRXCTL3	Input	n/a		FTXCTL3	Input	n/a	
FRXCTL4	Input	n/a		FTXCTL4	Input	n/a	
FRXCTL5	Input	n/a		FTXCTL5	Input	n/a	
FRXCTL6	Input	TxPrty	Optional	FTXCTL6	Output	RxPrty	Optional

* Both TxEnb and RxEnb are Active Low.

Table 23 Power X(CSIX-L0) Mode, C-5e Network Processor to Fabric Interface Pin Mapping

RECEIVE SIGNALS				TRANSMIT SIGNALS			
C-5E NETWORK PROCESSOR	I/O	POWER X	NOTE	C-5E NETWORK PROCESSOR	I/O	POWER X	NOTE
FRXCTL0	Input	RxCtrl[0]		FTXCTL0	Output	TxCtrl[0]	
FRXCTL1	Input	RxCtrl[1]		FTXCTL1	Output	TxCtrl[1]	
FRXCTL2	Input	RxCtrl[2]		FTXCTL2	Output	TxCtrl[2]	
FRXCTL3	Input	RxPrty[3]		FTXCTL3	Output	TxPrty[3]	
FRXCTL4	Input	RxPrty[2]		FTXCTL4	Output	TxPrty[2]	
FRXCTL5	Input	RxPrty[1]		FTXCTL5	Output	TxPrty[1]	
FRXCTL6	Input	RxPrty[0]		FTXCTL6	Output	TxPrty[0]	



For the CSIX-L1 Mode, VDDF= 2.5V.

Table 24 CSIX-L1 Mode, C-5e Network to Fabric Interface Pin Mapping

FPRX SIGNALS				FPTX SIGNALS			
C-5E NP	I/O	CSIX-L1	NOTE	C-5E NP	I/O	CSIX-L1	NOTE
FRxCTL0	Input	n/a		FTxCTL0	Input	n/a	
FRxCTL1	Input	n/a		FTxCTL1	Input	n/a	
FRxCTL2	Input	TxSOF		FTxCTL2	Output	RxSOF	
FRxCTL3	Input	n/a		FTxCTL3	Input	n/a	
FRxCTL4	Input	n/a		FTxCTL4	Input	n/a	
FRxCTL5	Input	n/a		FTxCTL5	Input	n/a	
FRxCTL6	Input	TxPrty		FTxCTL6	Output	RxPrty	

BMU SDRAM Interface Signals

The BMU and SDRAM interface signals are described in [Table 25](#).



The BMU is designed to support SDRAM devices with 12 address lines. All 139 data lines and all 12 address lines must be connected to the SDRAM in order for the BMU to be able to read and write external SDRAM properly.

Table 25 BMU SDRAM Interface Signals

SIGNAL NAME	PIN #	TOTAL	TYPE	I/O	SIGNAL DESCRIPTION
MD0 - MD129	U23, U22, U21, T29, T28, T27, T26, T25, T24, T23, T22, T21, R29, R28, R27, R26, R25, R24, R23, R22, R21, P29, P28, P26, P25, P24, P22, P21, N29, N27, N26, N25, N23, N22, N21, M29, M28, M27, M26, M25, M24, M23, M22, M21, L29, L28, L27, L26, L25, L24, L23, L22, L21, K29, K28, K26, K25, K24, K22, K21, J29, J27, J26, J25, J23, J22, J21, H29, H28, H27, H26, H25, H24, H23, H22, H21, G29, G28, G27, G26, G25, G24, G23, G22, G21, F29, F28, F26, F25, F24, F22, F21, E29, E27, E26, E25, E23, E22, E21, D29, D28, D27, D26, D25, D24, D23, D22, D21, C29, C28, C26, C25, C24, C22, C21, B29, B27, B26, B25, B23, B22, B21, A29, A28, A27, A26, A25, A24, A23, A22	130	LVTTTL	I _{PD} /O	Data Lines In
MDECC0 - MDECC8	E19, F19, G19, A20, C20, D20, F20, G20, A21	9	LVTTTL	I _{PD} /O	Stored as data, ECC bits
MA0 - MA11	B16, C16, D16, E16, F16, G16, A17, B17, D17, E17, F17, G17	12	LVTTTL	O _{PD}	Address Outputs: A0-A11 are sampled during the ACTIVE command and READ/WRITE to select one location out of the memory array in the respective bank. The address inputs also provide the op-code during a LOAD MODE REGISTER command
MBA0 - MBA1	E18, C18	2	LVTTTL	O _{PD}	Bank Address Outputs: BA0 and BA1 define which bank the ACTIVE, READ, WRITE or PRECHARGE command is being applied
MCASX	D19	1	LVTTTL	O _{PD}	Command Outputs: MRASX, MCASX, MWEX and MCSX define the command being entered. <i>NOTE: MCSX is considered part of the command code.</i>

Table 25 BMU SDRAM Interface Signals (continued)

SIGNAL NAME	PIN #	TOTAL	TYPE	I/O	SIGNAL DESCRIPTION
MRASX	C19	1	LVTTTL	O _{PD}	Command Outputs: MRASX, MCASX, MWEX and MCSX define the command being entered. MCSX is considered part of the command code.
MWEX	B19	1	LVTTTL	O _{PD}	Command Outputs: MRASX, MCASX, MWEX and MCSX define the command being entered. MCSX is considered part of the command code.
MCSX	A19	1	LVTTTL	O _{PD}	Chip Select: MCSX enables (registered LOW) and disables (registered HIGH) the command decoder. All commands are masked when MCSX is registered HIGH. MCSX provides the external bank selection on systems with multiple banks. MCSX is considered part of the command code.
MDQM MDQML	G18 F18	1 1	LVTTTL LVTTTL	O _{PD} O _{PD}	Input/Output Mask: MDQM is an input mask signal for write accesses and an output enable signal for read accesses. Input data is masked when MDQM is sampled HIGH during a WRITE cycle. The output buffers are placed in a high Z state (two-clock latency) when MDQM is sampled HIGH during the READ cycle. <i>NOTE: MDQML is an identical copy of MDQM used to drive the loading on SDRAM configurations with 2 DQM pins.</i>
MDCLK	B18	1	LVTTTL	I _{PD}	Clock: MDCLK is driven by the system clock. All SDRAM input signals are sampled on the positive edge of the MDCLK. MDCLK also increments the internal burst counter and controls the output registers.
TOTAL PINS		160			

TLU SRAM Interface Signals

The TLU SRAM interface supports up to 128MBytes of SRAM at frequencies to 133MHz using LVTTTL signaling levels (in single bank-mode only) and SRAM technologies up to 64Mbits. The TLU SRAM interface signals are described in [Table 26](#).

Table 26 TLU SRAM Interface Signals

SIGNAL NAME	PIN #	TOTAL	TYPE	I/O	SIGNAL DESCRIPTION
TD0 - TD63	G6, G7, G8, G9, G10, H1, H2, H3, H4, H5, H6, H7, H8, H9, J1, J3, J4, J5, J7, J8, J9, K1, K2, K4, K5, K6, K8, K9, L1, L2, L3, L4, L5, L6, L7, L8, L9, M1, M2, M3, M4, M5, M6, M7, M8, M9, N1, N3, N4, N5, N7, N8, N9, P1, P2, P4, P5, P6, P8, P9, R6, R7, R8, R9	64	LVTTTL	I _{PD} /O	TLU Memory Data
TA0 - TA21	T1, U1, U3, U4, U5, U7, U8, U9, V1, V2, V4, V5, V6, V8, V9, W1, W2, W3, W4, W5, W6, W7	22	LVTTTL	O _{PD}	TLU Memory Address
TPAR0 - TPAR3	R2, R3, R4, R5	4	LVTTTL	I _{PD} /O	Word Data Parity (i.e. TPAR0 across TD15:0)
TCE0X - TCE3X	T2, T3, T4, T5	4	LVTTTL	O _{PD}	TLU Memory Chip Enable
TWE0X - TWE3X	T6, T7, T8, T9	4	LVTTTL	O _{PD}	TLU Memory Write Enable
TCLKI	R1	1	LVTTTL	I _{PD}	TLU Clock Input
TOTAL PINS		99			

QMU SRAM (Internal Mode) Interface Signals The QMU signals are described in [Table 27](#).

Table 27 QMU SRAM (Internal Mode) Interface Signals

SIGNAL NAME	PIN #	TOTAL	TYPE	I/O	SIGNAL DESCRIPTION
QA0 - QA16	C8, B8, A8, F9, E9, D9, C9, B9, A9, F10, D10, C10, A10, G11, F11, E11, D11	17	LVTTTL	O	Address [16:0]
QD0 - QD31	G1, F1, E1, D1, C1, B1, G2, F2, D2, C2, A2, G3, E3, D3, B3, A3, G4, F4, E4, D4, C4, B4, A4, G5, F5, E5, D5, C5, B5, A5, F6, D6	32	LVTTTL	I _{PD} /O	Data
QDQPAR	C11	1	LVTTTL	I _{PD}	nc
QARDY	E8	1	LVTTTL	I _{PD}	nc
QNQRDY	D8	1	LVTTTL	I _{PD}	nc
QWEX	C6	1	LVTTTL	O	Write Enable
QBCKO	A6	1	LVTTTL	O	nc
QBCKI	E7	1	LVTTTL	I _{PD}	nc
QACLKO	D7	1	LVTTTL	O	nc
QACKI	B7	1	LVTTTL	I _{PD}	Input Clock
QDPL	A7	1	LVTTTL	I _{PD} /O	Data Parity Low
QDPH	F8	1	LVTTTL	I _{PD} /O	Data Parity High
TOTAL PINS		59			

QMU to Q-5 TMC (External Mode) Interface Signals The QMU to Q-5 Traffic Management Coprocessor (TMC) signals are described in [Table 28](#).

Table 28 QMU to Q-5 (External Mode) Interface Signals

SIGNAL NAME	PIN #	TOTAL	TYPE	I/O	SIGNAL DESCRIPTION
QA0 - QA15	C8, B8, A8, F9, E9, D9, C9, B9, A9, F10, D10, C10, A10, G11, F11, E11	16	LVTTTL	O	Enqueue Data [8:23]
QA16	D11	1	LVTTTL	O	Enqueue Parity
QD0 - QD23	G1, F1, E1, D1, C1, B1, G2, F2, D2, C2, A2, G3, E3, D3, B3, A3, G4, F4, E4, D4, C4, B4, A4, G5	24	LVTTTL	I _{PD}	Dequeue Data [0:23]
QD24 - QD31	F5, E5, D5, C5, B5, A5, F6, D6	8	LVTTTL	I _{PD}	Enqueue Data [0:7]
QDQPAR	C11	1	LVTTTL	I _{PD}	Dequeue Parity
QARDY	E8	1	LVTTTL	I _{PD}	Dequeue Ack Ready
QNQRDY	D8	1	LVTTTL	I _{PD}	Enqueue Ready
QWEX	C6	1	LVTTTL	O	Dequeue Ready
QBCKLO	A6	1	LVTTTL	O	Output ClockB
QBCKLI	E7	1	LVTTTL	I _{PD}	Input ClockB
QACKLO	D7	1	LVTTTL	O	Output ClockA
QACKLI	B7	1	LVTTTL	I _{PD}	Input ClockA
QDPL	A7	1	LVTTTL	O	Dequeue Ack [0]
QDPH	F8	1	LVTTTL	O	Dequeue Ack [1]
TOTAL PINS		59			

Power Supply Signals Power supply, and ground signals are described in [Table 29](#).

Table 29 Power Supply Signals

SIGNAL NAME	PIN #	TOTAL	TYPE	SIGNAL DESCRIPTION
VDD	J13, J15, J17, J19, K12, K14, K16, K18, L11, L13, L15, L17, L19, M12, M14, M16, M18, N13, N15, N17, N19, P12, P14, P16, P18, R11, R13, R15, R17, R19, T12, T14, T16, T18, U11, U13, U15, U17, U19, V12, V14, V16, V18, W11, W13, W15, W17, W19, Y12, Y14, Y16, Y18, AA11, AA13, AA15, AA17, AA19,	57	P	Core Supply Voltage (1.2V Input)
VDD33	B20, B28, C13, C17, C23, E15, F23, F27, H12, H14, H16, H18, H20, J28, K20, K23, M20, N24, P20, P27, T20, U28, V20, V23, Y20, AA6, AA24, AB3, AB10, AB18, AB20, AB27, AE24, AF3, AF27, AH2, AH20, AH28	38	P	I/O Supply Voltage (3.3V Input)
GND	B6, B15, B24, C3, C27, D12, D18, E2, E6, E10, E20, E24, E28, H11, H13, H15, H17, H19, J6, J10, J12, J14, J16, J18, J20, J24, K3, K11, K13, K15, K17, K19, K27, L10, L12, L14, L16, L18, L20, M11, M13, M15, M17, M19, N2, N10, N12, N14, N16, N18, N20, N28, P7, P11, P13, P15, P17, P19, P23, R10, R12, R14, R16, R18, R20, T11, T13, T15, T17, T19, U6, U10, U12, U14, U16, U18, U20, U24, V3, V11, V13, V15, V17, V19, V27, W10, W12, W14, W16, W18, W20, Y11, Y13, Y15, Y17, Y19, AA2, AA10, AA12, AA14, AA16, AA18, AA20, AA28, AB7, AB11, AB13, AB15, AB17, AB19, AB23, AE2, AE10, AE20, AE28, AF7, AF12, AF18, AF23, AH6, AH15, AH24	122	P	Ground
VDDF	AB12, AB14, AB16, AE6, AE15, AG13, AG17, AH10	8	P	Fabric I/O supply (3.3 or 2.5V)
VDDT	B2, B10, C7, F3, F7, H10, J2, J11, K7, K10, M10, N6, N11, P3, P10, T10, U2, V7, V10, Y10	20	P	TLU and QMU I/O supply (3.3V)
TOTAL PINS		245		

Test Signals Test signals are described in [Table 30](#).

Table 30 Miscellaneous Test Signals For JTAG, Scan, and Internal Test Routines

SIGNAL NAME	PIN #	TOTAL	TYPE	I/O	SIGNAL DESCRIPTION
JTCK	C15	1	LVTTTL	I _{PD}	Test Clock
JTMS	A14	1	LVTTTL	I _{PD}	Test Mode Select. High selects modes as defined in the IEEE 1149.1 JTAG specification.
JTRSTX†	A12	1	LVTTTL	I _{PD}	Test Reset (low active)
JTDI†	B14	1	LVTTTL	I _{PD}	Test Data In
JTDO	A13	1	LVTTTL	O	Test Data Out
JHIGHZ	B13	1	LVTTTL	I _{PD}	Turns off all output drivers when High
JCLKBYP	C14	1	LVTTTL	I _{PD}	1X or 2X Clock Mode Select. Low selects 1X, High selects 2X.
JSE	D15	1	LVTTTL	I _{PD}	Scan Enable. High enables scan test.
JS00-JS05	D14, A16, D13, C12, A15, B12	6	LVTTTL	O	Scan Out Pins
TOTAL PINS		14			



During JTAG, SCLK and SCLKX must remain as differential inputs.

No Connection Pins No connection pins are listed in [Table 31](#).

Table 31 No Connection Pins

SIGNAL NAME	PIN #	TOTAL	TYPE	I/O	SIGNAL DESCRIPTION
NC3 - NC5	B11, A11, A18	3	nc	I _{PD} /O	Reserved for future functionality
TOTAL PINS		3			

Signals Grouped by Pin Number

The C-5e NP signals are listed by pin number in [Table 32](#).

Table 32 Signals Listed by Pin Number

PIN	FUNCTION	PIN	FUNCTION	PIN	FUNCTION	PIN	FUNCTION
A 1-29							
A1	Not present	A9	QA8	A17	MA6	A25	MD126
A2	QD10	A10	QA12	A18	NC5	A26	MD125
A3	QD15	A11	NC4	A19	MCSX	A27	MD124
A4	QD22	A12	JTRSTX	A20	MDECC3	A28	MD123
A5	QD29	A13	JTDO	A21	MDECC8	A29	MD122
A6	QBCLKO	A14	JTMS	A22	MD129		
A7	QDPL	A15	JSO4	A23	MD128		
A8	QA2	A16	JSO1	A24	MD127		
B 1-29							
B1	QD5	B9	QA7	B17	MA7	B25	MD118
B2	VDDT	B10	VDDT	B18	MDCLK	B26	MD117
B3	QD14	B11	NC3	B19	MWEX	B27	MD116
B4	QD21	B12	JSO5	B20	VDD33	B28	VDD33
B5	QD28	B13	JHIGHZ	B21	MD121	B29	MD115
B6	GND	B14	JTDI	B22	MD120		
B7	QACLKI	B15	GND	B23	MD119		
B8	QA1	B16	MA0	B24	GND		
C 1-29							
C1	QD4	C9	QA6	C17	VDD33	C25	MD111
C2	QD9	C10	QA11	C18	MBA1	C26	MD110
C3	GND	C11	QDQPAR	C19	MRASX	C27	GND
C4	QD20	C12	JSO3	C20	MDECC4	C28	MD109
C5	QD27	C13	VDD33	C21	MD114	C29	MD108
C6	QWEX	C14	JCLKBYP	C22	MD113		
C7	VDDT	C15	JTCK	C23	VDD33		
C8	QA0	C16	MA1	C24	MD112		

Table 32 Signals Listed by Pin Number (continued)

PIN	FUNCTION	PIN	FUNCTION	PIN	FUNCTION	PIN	FUNCTION
D 1-29							
D1	QD3	D9	QA5	D17	MA8	D25	MD103
D2	QD8	D10	QA10	D18	GND	D26	MD102
D3	QD13	D11	QA16	D19	MCASX	D27	MD101
D4	QD19	D12	GND	D20	MDECC5	D28	MD100
D5	QD26	D13	JSO2	D21	MD107	D29	MD99
D6	QD31	D14	JSO0	D22	MD106		
D7	QACLKO	D15	JSE	D23	MD105		
D8	QNQRDY	D16	MA2	D24	MD104		
E 1-29							
E1	QD2	E9	QA4	E17	MA9	E25	MD95
E2	GND	E10	GND	E18	MBA0	E26	MD94
E3	QD12	E11	QA15	E19	MDECC0	E27	MD93
E4	QD18	E12	CCLK7	E20	GND	E28	GND
E5	QD25	E13	CCLK5	E21	MD98	E29	MD92
E6	GND	E14	CCLK2	E22	MD97		
E7	QBCLKI	E15	VDD33	E23	MD96		
E8	QARDY	E16	MA3	E24	GND		
F 1-29							
F1	QD1	F9	QA3	F17	MA10	F25	MD88
F2	QD7	F10	QA9	F18	MDQML	F26	MD87
F3	VDDT	F11	QA14	F19	MDECC1	F27	VDD33
F4	QD17	F12	CCLK6	F20	MDECC6	F28	MD86
F5	QD24	F13	CCLK4	F21	MD91	F29	MD85
F6	QD30	F14	CCLK1	F22	MD90		
F7	VDDT	F15	SCLKX	F23	VDD33		
F8	QDPH	F16	MA4	F24	MD89		

Table 32 Signals Listed by Pin Number (continued)

PIN	FUNCTION	PIN	FUNCTION	PIN	FUNCTION	PIN	FUNCTION
G 1-29							
G1	QD0	G9	TD3	G17	MA11	G25	MD80
G2	QD6	G10	TD4	G18	MDQM	G26	MD79
G3	QD11	G11	QA13	G19	MDECC2	G27	MD78
G4	QD16	G12	CPREF	G20	MDECC7	G28	MD77
G5	QD23	G13	CCLK3	G21	MD84	G29	MD76
G6	TD0	G14	CCLK0	G22	MD83		
G7	TD1	G15	SCLK	G23	MD82		
G8	TD2	G16	MA5	G24	MD81		
H 1-29							
H1	TD5	H9	TD13	H17	GND	H25	MD71
H2	TD6	H10	VDDT	H18	VDD33	H26	MD70
H3	TD7	H11	GND	H19	GND	H27	MD69
H4	TD8	H12	VDD33	H20	VDD33	H28	MD68
H5	TD9	H13	GND	H21	MD75	H29	MD67
H6	TD10	H14	VDD33	H22	MD74		
H7	TD11	H15	GND	H23	MD73		
H8	TD12	H16	VDD33	H24	MD72		
J 1-29							
J1	TD14	J9	TD20	J17	VDD	J25	MD63
J2	VDDT	J10	GND	J18	GND	J26	MD62
J3	TD15	J11	VDDT	J19	VDD	J27	MD61
J4	TD16	J12	GND	J20	GND	J28	VDD33
J5	TD17	J13	VDD	J21	MD66	J29	MD60
J6	GND	J14	GND	J22	MD65		
J7	TD18	J15	VDD	J23	MD64		
J8	TD19	J16	GND	J24	GND		

Table 32 Signals Listed by Pin Number (continued)

PIN	FUNCTION	PIN	FUNCTION	PIN	FUNCTION	PIN	FUNCTION
K 1-29							
K1	TD21	K9	TD27	K17	GND	K25	MD56
K2	TD22	K10	VDDT	K18	VDD	K26	MD55
K3	GND	K11	GND	K19	GND	K27	GND
K4	TD23	K12	VDD	K20	VDD33	K28	MD54
K5	TD24	K13	GND	K21	MD59	K29	MD53
K6	TD25	K14	VDD	K22	MD58		
K7	VDDT	K15	GND	K23	VDD33		
K8	TD26	K16	VDD	K24	MD57		
L 1-29							
L1	TD28	L9	TD36	L17	VDD	L25	MD48
L2	TD29	L10	GND	L18	GND	L26	MD47
L3	TD30	L11	VDD	L19	VDD	L27	MD46
L4	TD31	L12	GND	L20	GND	L28	MD45
L5	TD32	L13	VDD	L21	MD52	L29	MD44
L6	TD33	L14	GND	L22	MD51		
L7	TD34	L15	VDD	L23	MD50		
L8	TD35	L16	GND	L24	MD49		
M 1-29							
M1	TD37	M9	TD45	M17	GND	M25	MD39
M2	TD38	M10	VDDT	M18	VDD	M26	MD38
M3	TD39	M11	GND	M19	GND	M27	MD37
M4	TD40	M12	VDD	M20	VDD33	M28	MD36
M5	TD41	M13	GND	M21	MD43	M29	MD35
M6	TD42	M14	VDD	M22	MD42		
M7	TD43	M15	GND	M23	MD41		
M8	TD44	M16	VDD	M24	MD40		

Table 32 Signals Listed by Pin Number (continued)

PIN	FUNCTION	PIN	FUNCTION	PIN	FUNCTION	PIN	FUNCTION
N 1-29							
N1	TD46	N9	TD52	N17	VDD	N25	MD31
N2	GND	N10	GND	N18	GND	N26	MD30
N3	TD47	N11	VDDT	N19	VDD	N27	MD29
N4	TD48	N12	GND	N20	GND	N28	GND
N5	TD49	N13	VDD	N21	MD34	N29	MD28
N6	VDDT	N14	GND	N22	MD33		
N7	TD50	N15	VDD	N23	MD32		
N8	TD51	N16	GND	N24	VDD33		
P 1-29							
P1	TD53	P9	TD59	P17	GND	P25	MD24
P2	TD54	P10	VDDT	P18	VDD	P26	MD23
P3	VDDT	P11	GND	P19	GND	P27	VDD33
P4	TD55	P12	VDD	P20	VDD33	P28	MD22
P5	TD56	P13	GND	P21	MD27	P29	MD21
P6	TD57	P14	VDD	P22	MD26		
P7	GND	P15	GND	P23	GND		
P8	TD58	P16	VDD	P24	MD25		
R 1-29							
R1	TCLKI	R9	TD63	R17	VDD	R25	MD16
R2	TPAR0	R10	GND	R18	GND	R26	MD15
R3	TPAR1	R11	VDD	R19	VDD	R27	MD14
R4	TPAR2	R12	GND	R20	GND	R28	MD13
R5	TPAR3	R13	VDD	R21	MD20	R29	MD12
R6	TD60	R14	GND	R22	MD19		
R7	TD61	R15	VDD	R23	MD18		
R8	TD62	R16	GND	R24	MD17		

Table 32 Signals Listed by Pin Number (continued)

PIN	FUNCTION	PIN	FUNCTION	PIN	FUNCTION	PIN	FUNCTION
T 1-29							
T1	TA0	T9	TWE3X	T17	GND	T25	MD7
T2	TCE0X	T10	VDDT	T18	VDD	T26	MD6
T3	TCE1X	T11	GND	T19	GND	T27	MD5
T4	TCE2X	T12	VDD	T20	VDD33	T28	MD4
T5	TCE3X	T13	GND	T21	MD11	T29	MD3
T6	TWE0X	T14	VDD	T22	MD10		
T7	TWE1X	T15	GND	T23	MD9		
T8	TWE2X	T16	VDD	T24	MD8		
U 1-29							
U1	TA1	U9	TA7	U17	VDD	U25	CPF_6
U2	VDDT	U10	GND	U18	GND	U26	CPF_5
U3	TA2	U11	VDD	U19	VDD	U27	CPF_4
U4	TA3	U12	GND	U20	GND	U28	VDD33
U5	TA4	U13	VDD	U21	MD2	U29	CPF_3
U6	GND	U14	GND	U22	MD1		
U7	TA5	U15	VDD	U23	MD0		
U8	TA6	U16	GND	U24	GND		
V 1-29							
V1	TA8	V9	TA14	V17	GND	V25	CPE_6
V2	TA9	V10	VDDT	V18	VDD	V26	CPE_5
V3	GND	V11	GND	V19	GND	V27	GND
V4	TA10	V12	VDD	V20	VDD33	V28	CPE_4
V5	TA11	V13	GND	V21	CPF_2	V29	CPE_3
V6	TA12	V14	VDD	V22	CPF_1		
V7	VDDT	V15	GND	V23	VDD33		
V8	TA13	V16	VDD	V24	CPF_0		

Table 32 Signals Listed by Pin Number (continued)

PIN	FUNCTION	PIN	FUNCTION	PIN	FUNCTION	PIN	FUNCTION
W 1-29							
W1	TA15	W9	PFRAMEX	W17	VDD	W25	CPD_5
W2	TA16	W10	GND	W18	GND	W26	CPD_4
W3	TA17	W11	VDD	W19	VDD	W27	CPD_3
W4	TA18	W12	GND	W20	GND	W28	CPD_2
W5	TA19	W13	VDD	W21	CPE_2	W29	CPD_1
W6	TA20	W14	GND	W22	CPE_1		
W7	TA21	W15	VDD	W23	CPE_0		
W8	XPUHOT	W16	GND	W24	CPD_6		
Y 1-29							
Y1	SPDO	Y9	PINTA	Y17	GND	Y25	CPC_3
Y2	SPDI	Y10	VDDT	Y18	VDD	Y26	CPC_2
Y3	SPLD	Y11	GND	Y19	GND	Y27	CPC_1
Y4	SPCK	Y12	VDD	Y20	VDD33	Y28	CPC_0
Y5	SICL	Y13	GND	Y21	CPD_0	Y29	CPB_6
Y6	SIDA	Y14	VDD	Y22	CPC_6		
Y7	PGNTX	Y15	GND	Y23	CPC_5		
Y8	PIDSEL	Y16	VDD	Y24	CPC_4		
AA 1-29							
AA1	PSERRX	AA9	PREQX	AA17	VDD	AA25	CPB_2
AA2	GND	AA10	GND	AA18	GND	AA26	CPB_1
AA3	PPERRX	AA11	VDD	AA19	VDD	AA27	CPB_0
AA4	PDEVSELX	AA12	GND	AA20	GND	AA28	GND
AA5	PSTOPX	AA13	VDD	AA21	CPB_5	AA29	CPA_6
AA6	VDD33	AA14	GND	AA22	CPB_4		
AA7	PCLK	AA15	VDD	AA23	CPB_3		
AA8	PRSTX	AA16	GND	AA24	VDD33		

Table 32 Signals Listed by Pin Number (continued)

PIN	FUNCTION	PIN	FUNCTION	PIN	FUNCTION	PIN	FUNCTION
AB 1-29							
AB1	PPAR	AB9	PTRDYX	AB17	GND	AB25	CPA_2
AB2	PCBEX3	AB10	VDD33	AB18	VDD33	AB26	CPA_1
AB3	VDD33	AB11	GND	AB19	GND	AB27	VDD33
AB4	PCBEX2	AB12	VDDF	AB20	VDD33	AB28	CPA_0
AB5	PCBEX1	AB13	GND	AB21	CPA_5	AB29	CP9_6
AB6	PCBEX0	AB14	VDDF	AB22	CPA_4		
AB7	GND	AB15	GND	AB23	GND		
AB8	PIRDYX	AB16	VDDF	AB24	CPA_3		
AC 1-29							
AC1	PAD31	AC9	FIN21	AC17	FOUT11	AC25	CP4_3
AC2	PAD30	AC10	FIN14	AC18	FOUT5	AC26	CP3_3
AC3	PAD29	AC11	FIN9	AC19	CP9_5	AC27	CP2_3
AC4	PAD28	AC12	FIN2	AC20	CP8_5	AC28	CP1_4
AC5	PAD27	AC13	FTXCTL4	AC21	CP8_0	AC29	CP0_6
AC6	FRXCLK	AC14	FOUT30	AC22	CP7_0		
AC7	FRXCTL2	AC15	FOUT23	AC23	CP6_0		
AC8	FIN28	AC16	FOUT18	AC24	CP5_1		
AD 1-29							
AD1	PAD26	AD9	FIN20	AD17	FOUT10	AD25	CP4_2
AD2	PAD25	AD10	FIN13	AD18	FOUT4	AD26	CP3_2
AD3	PAD24	AD11	FIN8	AD19	CP9_4	AD27	CP2_2
AD4	PAD23	AD12	FIN1	AD20	CP8_4	AD28	CP1_3
AD5	PAD22	AD13	FTXCTL3	AD21	CP7_6	AD29	CP0_5
AD6	FRXCTL6	AD14	FOUT29	AD22	CP6_6		
AD7	FRXCTL1	AD15	FOUT22	AD23	CP5_6		
AD8	FIN27	AD16	FOUT17	AD24	CP5_0		

Table 32 Signals Listed by Pin Number (continued)

PIN	FUNCTION	PIN	FUNCTION	PIN	FUNCTION	PIN	FUNCTION
AE 1-29							
AE1	PAD21	AE9	FIN19	AE17	FOUT9	AE25	CP4_1
AE2	GND	AE10	GND	AE18	FOUT3	AE26	CP3_1
AE3	PAD20	AE11	FIN7	AE19	CP9_3	AE27	CP2_1
AE4	PAD19	AE12	FIN0	AE20	GND	AE28	GND
AE5	PAD18	AE13	FTXCTL2	AE21	CP7_5	AE29	CP0_4
AE6	VDDF	AE14	FOUT28	AE22	CP6_5		
AE7	FRXCTL0	AE15	VDDF	AE23	CP5_5		
AE8	FIN26	AE16	FOUT16	AE24	VDD33		
AF 1-29							
AF1	PAD17	AF9	FIN18	AF17	FOUT8	AF25	CP4_0
AF2	PAD16	AF10	FIN12	AF18	GND	AF26	CP3_0
AF3	VDD33	AF11	FIN6	AF19	CP9_2	AF27	VDD33
AF4	PAD15	AF12	GND	AF20	CP8_3	AF28	CP1_2
AF5	PAD14	AF13	FTXCTL1	AF21	CP7_4	AF29	CP0_3
AF6	FRXCTL5	AF14	FOUT27	AF22	CP6_4		
AF7	GND	AF15	FOUT21	AF23	GND		
AF8	FIN25	AF16	FOUT15	AF24	CP4_6		
AG 1-29							
AG1	PAD13	AG9	FIN17	AG17	VDDF	AG25	CP3_6
AG2	PAD12	AG10	FIN11	AG18	FOUT2	AG26	CP2_6
AG3	PAD11	AG11	FIN5	AG19	CP9_1	AG27	CP2_0
AG4	PAD10	AG12	FTXCLK	AG20	CP8_2	AG28	CP1_1
AG5	PAD9	AG13	VDDF	AG21	CP7_3	AG29	CP0_2
AG6	FRXCTL4	AG14	FOUT26	AG22	CP6_3		
AG7	FIN31	AG15	FOUT20	AG23	CP5_4		
AG8	FIN24	AG16	FOUT14	AG24	CP4_5		

Table 32 Signals Listed by Pin Number (continued)

PIN	FUNCTION	PIN	FUNCTION	PIN	FUNCTION	PIN	FUNCTION
AH 1-29							
AH1	PAD8	AH9	FIN16	AH17	FOUT7	AH25	CP3_5
AH2	VDD33	AH10	VDDF	AH18	FOUT1	AH26	CP2_5
AH3	PAD7	AH11	FIN4	AH19	CP9_0	AH27	CP1_6
AH4	PAD6	AH12	FTXCTL6	AH20	VDD33	AH28	VDD33
AH5	PAD5	AH13	FTXCTL0	AH21	CP7_2	AH29	CP0_1
AH6	GND	AH14	FOUT25	AH22	CP6_2		
AH7	FIN30	AH15	GND	AH23	CP5_3		
AH8	FIN23	AH16	FOUT13	AH24	GND		
AJ 1-29							
AJ1	PAD4	AJ9	FIN15	AJ17	FOUT6	AJ25	CP3_4
AJ2	PAD3	AJ10	FIN10	AJ18	FOUT0	AJ26	CP2_4
AJ3	PAD2	AJ11	FIN3	AJ19	CP8_6	AJ27	CP1_5
AJ4	PAD1	AJ12	FTXCTL5	AJ20	CP8_1	AJ28	CP1_0
AJ5	PAD0	AJ13	FOUT31	AJ21	CP7_1	AJ29	CP0_0
AJ6	FRXCTL3	AJ14	FOUT24	AJ22	CP6_1		
AJ7	FIN29	AJ15	FOUT19	AJ23	CP5_2		
AJ8	FIN22	AJ16	FOUT12	AJ24	CP4_4		

JTAG Support

The C-5e NP contains JTAG test logic compliant with the IEEE 1149.1 specification. All required public instructions are implemented, as well as some optional instructions. This section contains information regarding the pinout, instructions, identification codes, and boundary scan cell types.

Pinout The C-5e NP uses the standard JTAG pins including the optional test reset pin. [Table 30](#) describes the pins and their functions.

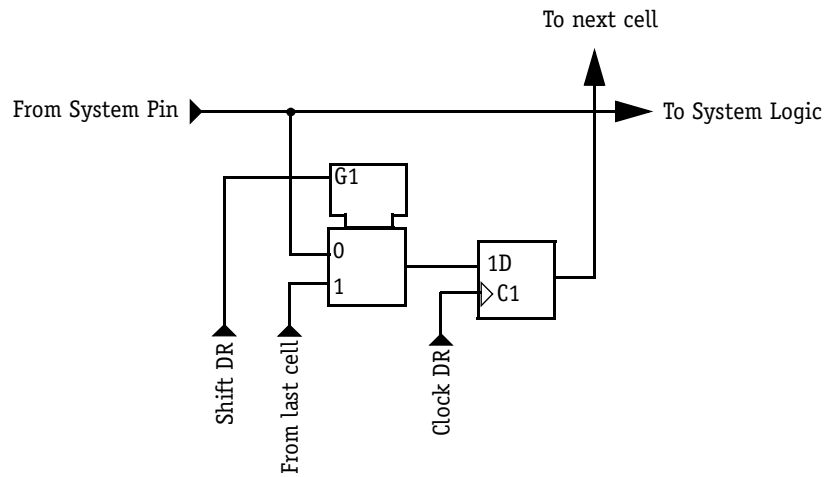
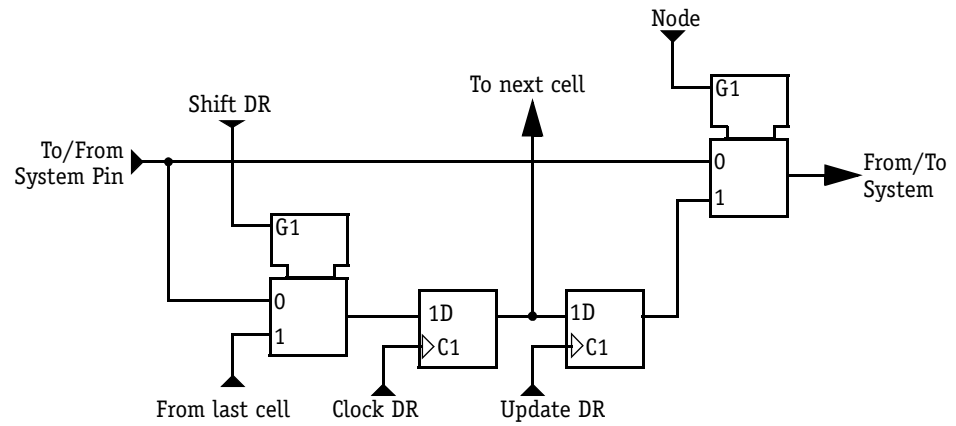
JTAG Data Registers The C-5e NP contains the standard internal registers as specified in IEEE 1149.1. These registers are described in [Table 33](#).

Table 33 JTAG Internal Register Descriptions

REGISTER NAME	REGISTER LENGTH	DESCRIPTION
Bypass	1	Standard JTAG bypass register
Boundary	1549	Boundary Scan Register
Device Identification	32	Standard JTAG IDCODE Register

Boundary Scan Restriction SCLK/SCLKX inputs must not toggle when exercising the boundary scan function for JTAG.

Boundary Scan Cell Types The C-5e NP boundary scan register contains only two cell types. All input cells are *observe only* cells of type BC_4. All enable and output cells are standard cells of type BC_1. In IEEE 1149.1-1990 specification, the BC_4 cell is shown in [Figure 7](#) and the BC_1 cell is shown in [Figure 8](#).

Figure 7 Observe-Only Cell**Figure 8** Cell Design That Can Be Used for Both Input and Output Pins

IDcode Register The C-5e NP implements a standard 32bit JTAG identification register. [Table 34](#) lists the value of the code for full identification and its subcomponents.

Table 34 JTAG Identification Code and Its Subcomponents

FIELD NAME	WIDTH	BIT POSITIONS	BINARY VALUE
Version	4	31-28	0000
Part Number	16	27-12	0000_0000_0010_0001
Manufacturer Identity	11	11-1	001_1001_0110
LSB	1	0	1

The concatenated 32bit value is hexadecimal 0002132d.

JTAG Instruction Register The C-5e NP contains a 4bit instruction register. [Table 35](#) lists the instructions that are supported.

Table 35 Instruction Register Instructions

INSTRUCTION MNEMONIC	SELECTED REGISTER	INSTRUCTION OPCODE
Extest	Boundary Scan	0000
Idcode	Identification Register	0001
Sample/Preload	Boundary Scan	0010
Highz	Bypass Register	0011
Clamp	Bypass Register	0100
Bypass	Bypass Register	0101
Reserved*	Bypass Register	0110
Reserved*	Bypass Register	0111
Bypass	Bypass Register	1000
Bypass	Bypass Register	1001
Bypass	Bypass Register	1010
Bypass	Bypass Register	1011
Bypass	Bypass Register	1100
Bypass	Bypass Register	1101

Table 35 Instruction Register Instructions (continued)

INSTRUCTION MNEMONIC	SELECTED REGISTER	INSTRUCTION OPCODE
Bypass	Bypass Register	1110
Bypass	Bypass Register	1111

* There are two reserved instructions intended for Motorola Corporation's internal use. These should not be programmed by users.

***Boundary Scan
Description Language***

In order to simplify board test, Motorola Corporation has provided a boundary scan description language (BSDL) file (c5e.bsd) in the Motorola web site that describes the complete set of instructions, boundary scan order, and identification code value in an industry standard format.

<http://www.motorola.com/networkprocessors>

ELECTRICAL SPECIFICATIONS

Absolute Maximum Ratings

Table 36 lists the absolute maximum ratings for the C-5e network processor. Stresses beyond those listed may cause permanent damage to the device. These are stress ratings only and do not imply that operation under any conditions other than those listed under “Recommended Operating Conditions” (Table 37) is possible.

Exposure to conditions beyond Table 36 can:

- Reduce device reliability
- Result in premature device failure, even with no immediate sign of failure

Prolonged exposure to conditions at or near the absolute maximum ratings could also result in reduced useful life and reliability of the C-5e NP.

Table 36 C-5e Network Processor Absolute Maximum Ratings

PARAMETER	MIN	MAX	UNIT
$V_{DD33}/V_{DDT}/V_{DDF}$ Supply Voltage (3.3V input)*	-0.5	+5	V
V_{DD} Supply Voltage (1.2V input)*	-0.5	+2.2	V
Voltage on any pin	-0.5	$V_{DD33} + 0.5$	V
Static Discharge Voltage	2000/500		V
Storage Temperature	-40	+125	°C
Absolute Maximum Junction Temperature	-40	+125	°C

* Voltages are relative to Ground

Recommended Operating Conditions

The recommended operating conditions describe an environment the C-5e NP network processor is expected to encounter during normal operation. [Table 37](#) delineates the recommended operating parameters for the C-5e NP.

Table 37 C-5e Network Processor Recommended Operating Conditions

PARAMETER	MIN	NOMINAL	MAX	UNIT
V_{DD33} Supply Voltage	3.135	3.3	3.465	V
V_{DDT} Supply Voltage	3.135	3.3	3.465	V
V_{DDF} Supply Voltage	2.375 3.135	2.5 3.3	2.625* 3.465†	V
V_{DD} Supply Voltage	1.14	1.2	1.26	V
$I_{DD33} - V_{DD33}$ Supply Current			1.3	A
$I_{DD} - V_{DD}$ Supply Current			8.5	A
T_j Junction Temperature	-40		125	°C

* For FP operation with I/Os @ 2.5V nominal.

† For FP operation with I/Os @ 3.3V nominal.

DC Characteristics

The DC electrical characteristics define the input operating conditions for proper operation and the output responses to applied DC signals and switch characteristics over specified voltage and temperature ranges. The DC electrical characteristics are specified within the *recommended operating conditions* including operating temperature and power supply range as stated in this data sheet. [Table 38](#) outlines the C-5e NP DC characteristics.

Table 38 C-5e Network Processor DC Characteristics

PARAMETER*	MIN	MAX	UNIT	NOTES
LVTTTL Input High Voltage	2.0	$V_{DD33} + .3$	V	
LVTTTL Input Low Voltage	-0.3	0.8	V	
LVTTTL Output High Voltage	2.4		V	@ $I_{OH} = -2\text{mA}$
LVTTTL Output Low Voltage		0.4	V	@ $I_{OL} = +2\text{mA}$
LVTTTL Input Current	-100	+100	μA	$V_{IN} = 0\text{V}$ or V_{DD33}
LVPECL Input High Voltage	$V_{DD33} - 1.165$	$V_{DD33} + .3\text{V}$	V	
LVPECL Input Low Voltage	-0.3	$V_{DD33} - 1.475$	V	
LVPECL Output High Voltage	$V_{DD33} - 1.025$	$V_{DD33} - 0.60$	V	Load = 50ohm to $V_{DD33} - 2\text{V}$
LVPECL Output Low Voltage	$V_{DD33} - 2.20$	$V_{DD33} - 1.620$	V	Load = 50ohm to $V_{DD33} - 2\text{V}$
LVPECL Input Current	-100	+100	μA	
CPREF	$V_{DD33} - 1.38$	$V_{DD33} - 1.26$	V	Single-ended LVPECL reference

* All voltages are relative to Ground unless otherwise indicated.

Each control input pin has a capacitance associated with it. The capacitance at the control input is due to the package and the input circuitry connected to the pin. Capacitance is based on these conditions: $T_A = 25^\circ\text{C}$; $V_{DD33} = 3.3\text{V}$; $f = 1\text{MHz}$. [Table 39](#) provides capacitance data.

Table 39 C-5e Network Processor Capacitance Data

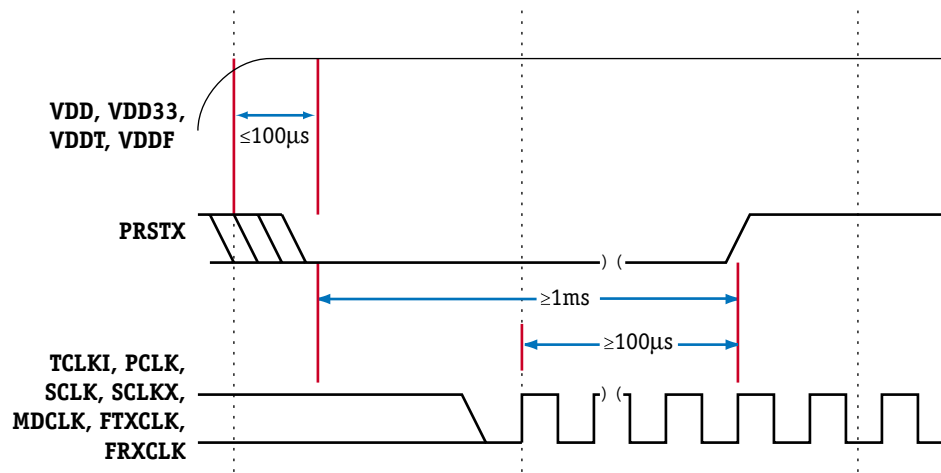
PARAMETER	TYPICAL	UNIT
All Pins	5	pF

Power Sequencing

It is intended that the VDD33/VDDT/VDDF and VDD rails are sequenced to their final value together for most applications. VDD33, VDDT and VDDF must be above VDD at all times. VDD must be brought to its final value within 100ms of sequencing on VDD33, VDDT and VDDF.

It is also required that SCLK, SCLKX, TCLKI, PCLK, MDCLK, FTXCLK, and FRXCLK be running or begin running during power sequencing to propagate reset inside the C-5e NP. [Figure 9](#) indicates the relationship between the clocks and PRSTX. There is no requirement that the asserting and deasserting edges of PRSTX be synchronous to the clocks. Reset must be asserted within 100 μ s of power initiation. Typically, reset is held low during power initiation.

Figure 9 Bringup Clock Timing Diagram



Power and Thermal Characteristics

Table 40 provides the derived power and thermal characteristics for the production version of the C-5e NP.

Table 40 C-5e Network Processor Power and Thermal Characteristics

PARAMETER	MIN	TYP	MAX	UNITS	TEST CONDITIONS
Power Dissipation, P_D	5.5	9.2	13.0	W	266MHz core clock See Note below
Maximum Junction Temperature, T_J			125	°C	See Note below
Thermal Resistance, junction to case, θ_{JC}		<0.1		°C/W	See Note below
Thermal Resistance, junction to printed circuit board, θ_{JB}		4.8		°C/W	See Note below



Table 40 note: Power dissipation values assume the following conditions:

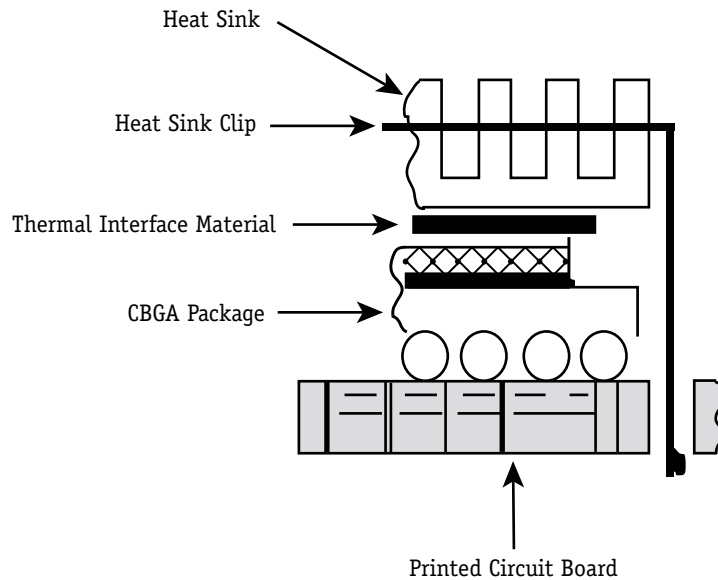
- *BMU memory operating at 133MHz.*
- *TLU memory operating at 133MHz.*
- *QMU operating at 175MHz.*
- *VDD = 1.2V, VDD33 = 3.3V, T_J at approximately 50°C for typical values. VDD and VDD33 are 5% higher for maximum values.*
- *“Minimum” PD based on idle condition (clocks running and no programs executing).*
- *“Typical” PD based on test application that implements Fast Ethernet forwarding actively running on all CPs.*
- *“Maximum” PD based on maximum consumption for any high-bandwidth communications application executing on all CPs, FP, and XP.*

Thermal Management Information

This section provides thermal management information for the ceramic ball grid array (CBGA) package for air-cooled applications. Proper thermal control design is primarily dependent on the system-level design—the heat sink, airflow, and thermal interface material. To reduce the die-junction temperature, heat sinks may be attached to the package by several methods—spring clip to holes in the printed-circuit board or package, and mounting clip and screw assembly (refer to [Figure 10](#)); however, due to the potential

large mass of the heat sink, attachment through the printed circuit board is suggested. If a spring clip is used, the spring force should not exceed 5.5 pounds.

Figure 10 Package Cross Section View with Several Heat Sink Options

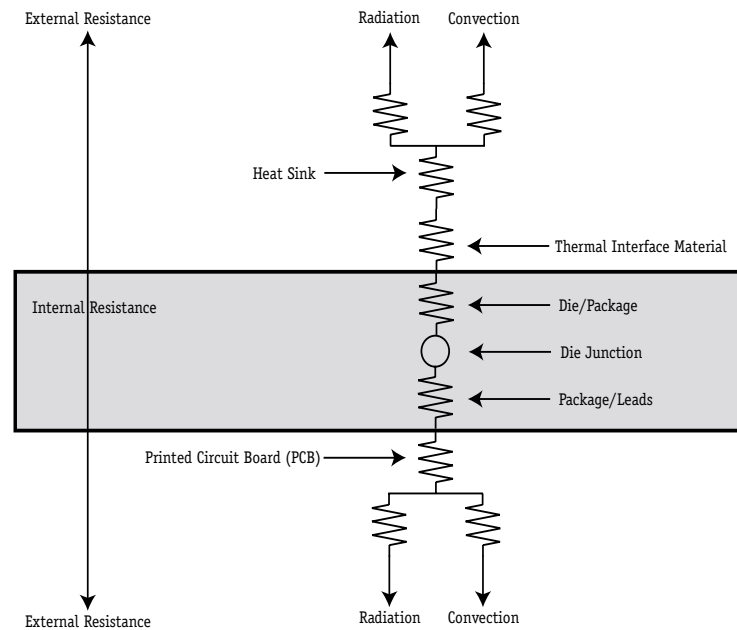


Internal Package Conduction Resistance

For the exposed-die packaging technology the intrinsic conduction thermal resistance paths are as follows:

- The die junction-to-case (or top-of-die for exposed silicon) thermal resistance
- The die junction-to-ball thermal resistance

[Figure 11](#) depicts the primary heat transfer path for a package with an attached heat sink mounted to a printed-circuit board.

Figure 11 Package with Heat Sink Mounted to the Printed Circuit Board

Heat generated on the active side of the chip is conducted through the silicon, then through the heat sink attach material (or thermal interface material), and finally to the heat sink where it is removed by convection.

Because the silicon thermal resistance is quite small, for a first-order analysis, the temperature drop in the silicon may be neglected. Thus, the thermal interface material and the heat sink conduction/convective thermal resistances are the dominant terms.

Heat Sink Selection Example

For preliminary heat sink sizing, the die-junction temperature can be expressed as follows:

$$T_j = T_a + T_r + (\theta_{jc} + \theta_{int} + \theta_{sa}) \times P_d$$

where:

T_j is the die-junction temperature

T_a is the inlet cabinet ambient temperature

T_r is the air temperature rise within the computer cabinet

θ_{jc} is the junction-to-case thermal resistance

θ_{int} is the adhesive or interface material thermal resistance

θ_{sa} is the heat sink base-to-ambient thermal resistance

P_d is the power dissipated by the device

During operation, the die-junction temperatures (T_j) should be maintained less than the value specified in [Table 40](#). The temperature of the air cooling the component greatly depends upon the ambient inlet air temperature and the air temperature rise within the electronic cabinet. An electronic cabinet inlet-air temperature (T_a) may range from 30° to 40°C. The air temperature rise within a cabinet (T_r) may be in the range of 5° to 10°C. The thermal resistance of the thermal interface material (θ_{int}) is typically about 1.5°C/W. For example, assuming a T_a of 30°C, a T_r of 5°C, a CBGA package $\theta_{jc} = 0.1$, and a maximum power consumption (P_d) of 13.0 W, the following expression for T_j is obtained:

Die-junction temperature: $T_j = 30^\circ\text{C} + 5^\circ\text{C} + (0.1^\circ\text{C}/\text{W} + 1.5^\circ\text{C}/\text{W} + \theta_{sa}) \times 13.0 \text{ W}$

For this example, a θ_{sa} value of 5.3°C/W or less is required to maintain the die junction temperature below the maximum value of [Table 40](#).

Though the die junction-to-ambient and the heat sink-to-ambient thermal resistances are a common figure-of-merit used for comparing the thermal performance of various microelectronic packaging technologies, one should exercise caution when only using this metric in determining thermal management because no single parameter can adequately describe three-dimensional heat flow. The final die-junction operating temperature is not only a function of the component-level thermal resistance, but the system-level design and its operating conditions. In addition to the component's power consumption, a number of factors affect the final operating die-junction temperature—airflow, board population (local heat flux of adjacent components), heat sink efficiency, heat sink attach, heat sink placement, next-level interconnect technology, system air temperature rise, altitude, etc.

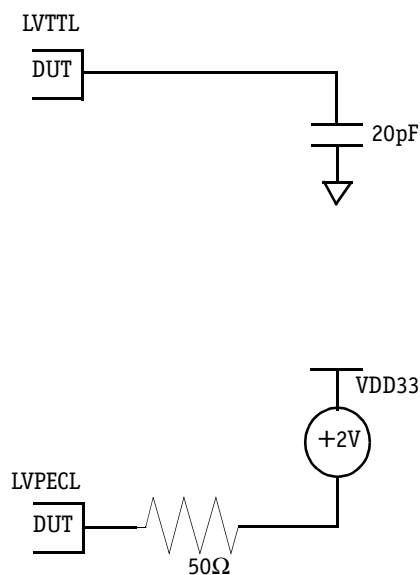
Due to the complexity and the many variations of system-level boundary conditions for today's microelectronic equipment, the combined effects of the heat transfer mechanisms (radiation, convection, and conduction) may vary widely. For these reasons, we recommend using conjugate heat transfer models for the board, as well as system-level designs.

AC Timing Specifications

AC timing specifications consist of input requirements and output responses. The input requirements include setup and hold times, pulse widths, and high and low times. The output responses include delays from clock to signal. The AC timing specifications are defined separately for each interface to the C-5e NP.

See [Figure 12](#). Output timing specifications for LVTTTL pins are given with a 20pF load on the output. Other loads can be simulated with the IBIS model available from Motorola. The LVPECL driver is specified into a 50Ω load terminated to a (VDD33 - 2V) reference.

Figure 12 Test Loading Conditions



Clock Timing Specifications

The system clock timing is shown in Figure 13 and described in Table 41.

Figure 13 System Clock Timing Diagram

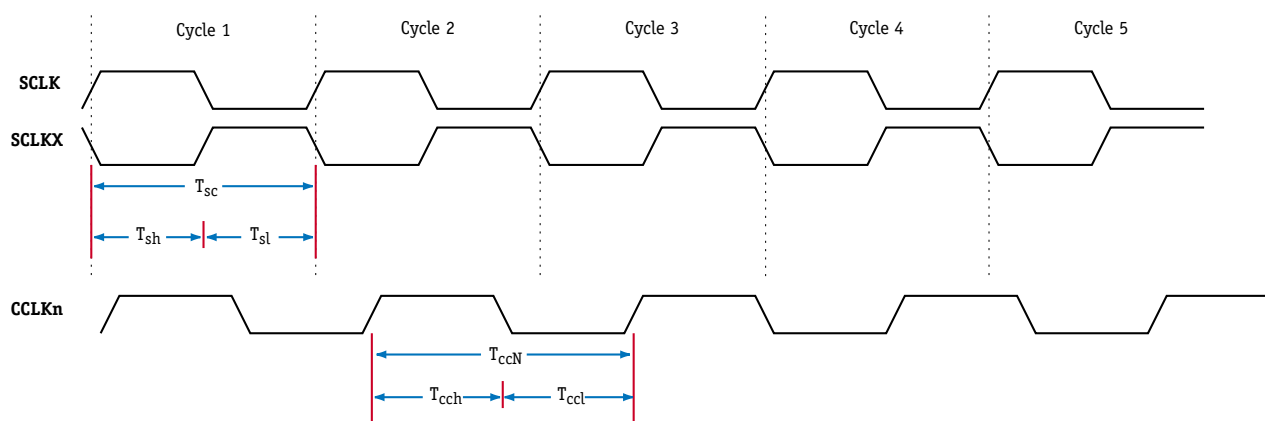


Table 41 System Clock Timing Description

SYMBOL	PARAMETER	MIN	TYP	MAX	UNIT	COMMENT
Tsc	System Cycle Time	3.76			ns	266MHz core clock
Tsh	Sys Clk High Pulse	45		55		Duty cycle*
Tsl	Sys Clk Low Pulse	45		55		Duty cycle*
Tcc0	CCLK0 Cycle Time		647.67		ns	T1†
Tcc1	CCLK1 Cycle Time		488.28		ns	E1†
Tcc2	CCLK2 Cycle Time		29.097		ns	E3†
Tcc3	CCLK3 Cycle Time		22.353		ns	T3†
Tcc4	CCLK4 Cycle Time		20.00		ns	RMII†
Tcc5	CCLK5 Cycle Time		9.412		ns	Fibre Channel†
Tcc6	CCLK6 Cycle Time		8.00		ns	GMII†
Tcc7	CCLK7 Cycle Time		6.43		ns	OC-3†
Tcch	CCLKm High Time	40%		60%		% cycle pulse is high
Tccl	CCLKm Low Time	40%		60%		% cycle pulse is low

* Pulse duty cycle measured at crossing voltage of SCLK/SCLKX

† The frequencies specified for CCLK0 - CCLK7 allow full flexibility for the C-5e NP. It is also possible to use one or more CCLKn inputs for other frequencies; contact your Motorola representative for more information.

CP Timing Specifications

This section describes the timing for the following CP interfaces:

- DS1/DS3
- 10/100 Ethernet
- Gigabit Ethernet
- OC-3
- OC-12

DS1/DS3 Timing Specifications

The DS1/DS3 interface timing is shown in [Figure 14](#) and described in [Table 42](#).

Figure 14 DS1/DS3 Ethernet Timing Diagram

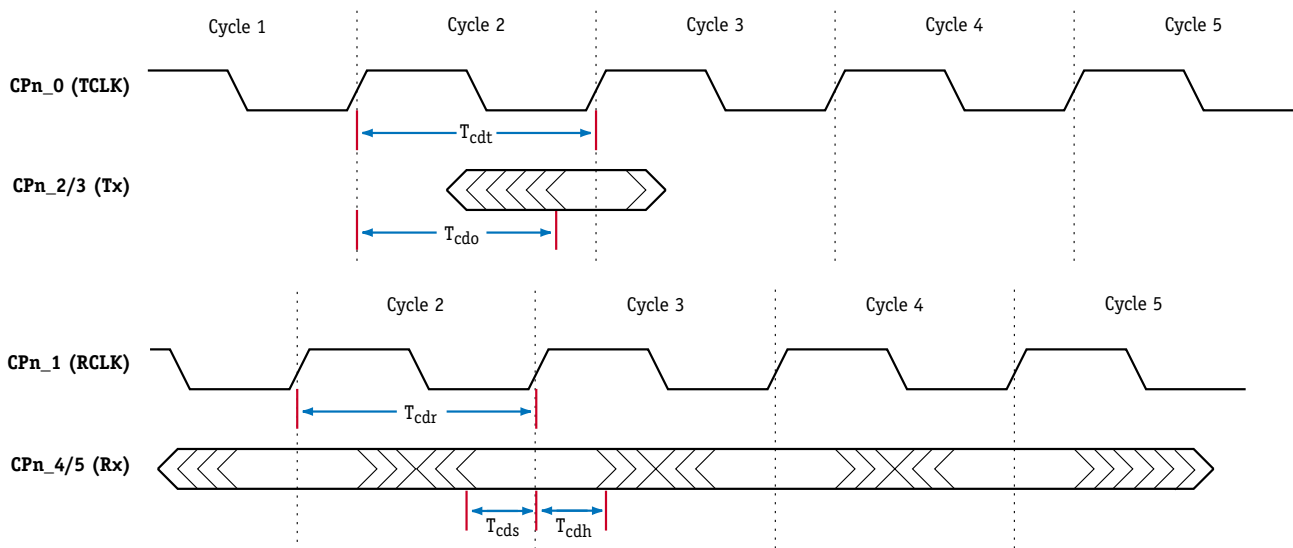
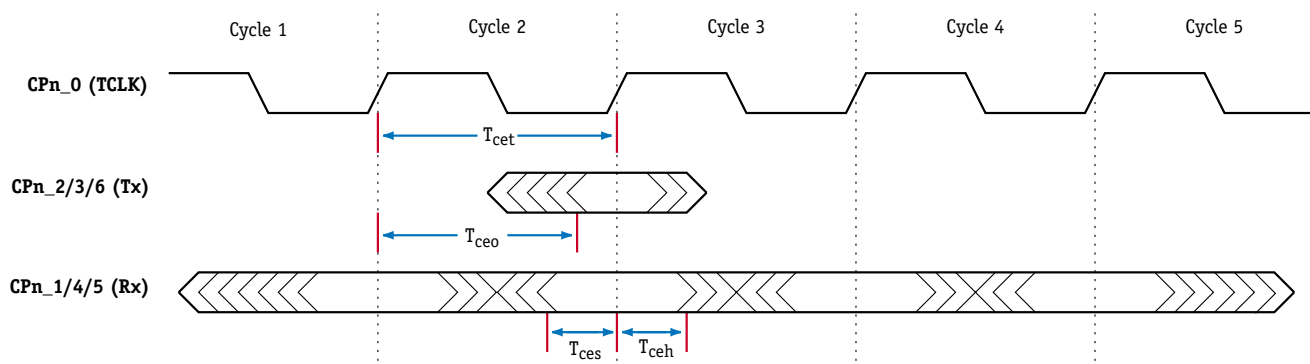


Table 42 DS1/DS3 Ethernet Timing Description

SYMBOL	PARAMETER	MIN	TYP	MAX	UNIT
Tcdt	DS1/DS3 Transmit Cycle Time		647/22.4		ns
Tcdo	DS1/DS3 Output Time	3.0/3.0		400/15.0	ns
Tcdr	DS1/DS3 Receive Cycle Time		647/22.4		ns
Tcds	DS1/DS3 Setup Time	2.0			ns
Tcdh	DS1/DS3 Hold Time	0			ns

10/100 Ethernet Timing Specifications

The 10/100 Ethernet interface timing is shown in [Figure 15](#) and described in [Table 43](#).

Figure 15 10/100 Ethernet Timing Diagram**Table 43** 10/100 Ethernet Timing Description

SYMBOL	PARAMETER	MIN	TYP	MAX	UNIT
Tcet	Transmit Cycle Time*		20		ns
Tceo	Output Time	3.0		15.0	ns
Tces	Setup Time	2.0			ns
Tceh	Hold Time	0			ns

* STD/Fast Ethernet

Gigabit GMII Ethernet, TBI and MII Interface Timing Specifications

The Gigabit GMII Ethernet interface timing is shown in Figure 16 and described in Table 44. The TBI interface timing is shown in Figure 16 and described in Table 45.

Figure 16 Gigabit Ethernet and TBI Interface Timing Diagram

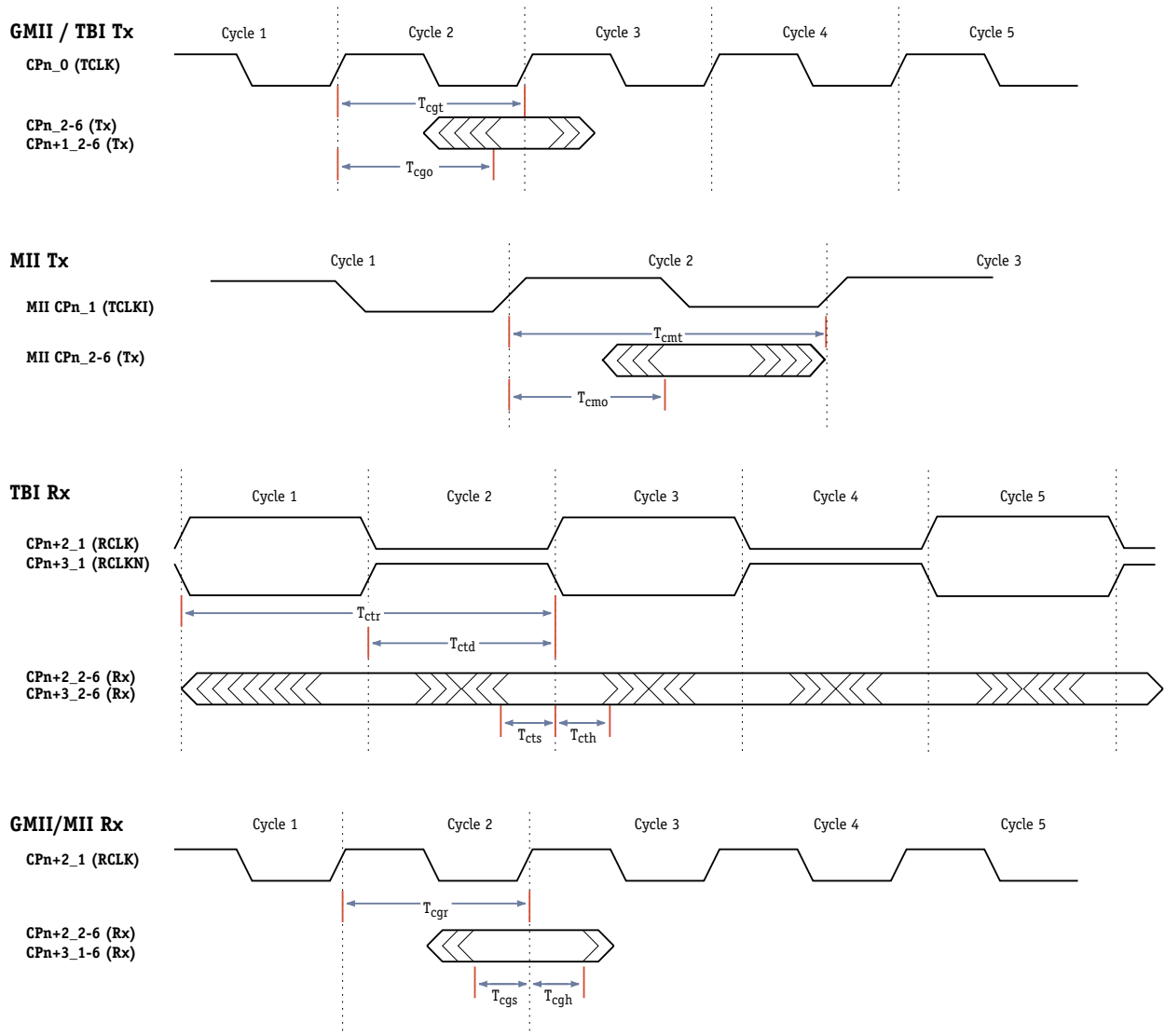


Table 44 Gigabit GMII/MII Ethernet Interface Timing Description

SYMBOL GIGABIT	PARAMETER	MIN	TYP	MAX	UNIT	COMMENT
Tcgt	Transmit Cycle Time, GMII		8.0		ns	
Tcgo	Output Time, GMII	3.0		6.0	ns	
Tcgr	Receive Cycle Time		8.0		ns	
Tcgs	Setup Time	2.0			ns	
Tcgh	Hold Time	0.0			ns	
Tcmt	Transmit Cycle Time, MII		40/400		ns	100BaseT/10BaseT
Tcmo	Output Time, MII	2		8	ns	

Table 45 Gigabit TBI Interface Timing Description

SYMBOL TBI	PARAMETER	MIN	TYP	MAX	TOL	UNIT
Tcct	Transmit Cycle Time		8.0			ns
Tcto	Output Time	3.0		6.0*		ns
Tctr	Receive Cycle Time		16.0			ns
Tctd	Rclk/Rclkn Deviation				1.0	ns
Tcts	Setup Time	2.0				ns
Tcth	Hold Time	0.0				ns

* For Fibre Channel applications this value is 7.0ns for a transmit cycle time of 9.4ns.

OC-3 Timing Specifications

The OC-3 interface timing is shown in Figure 17 and described in Table 46.

Figure 17 OC-3 Timing Diagram

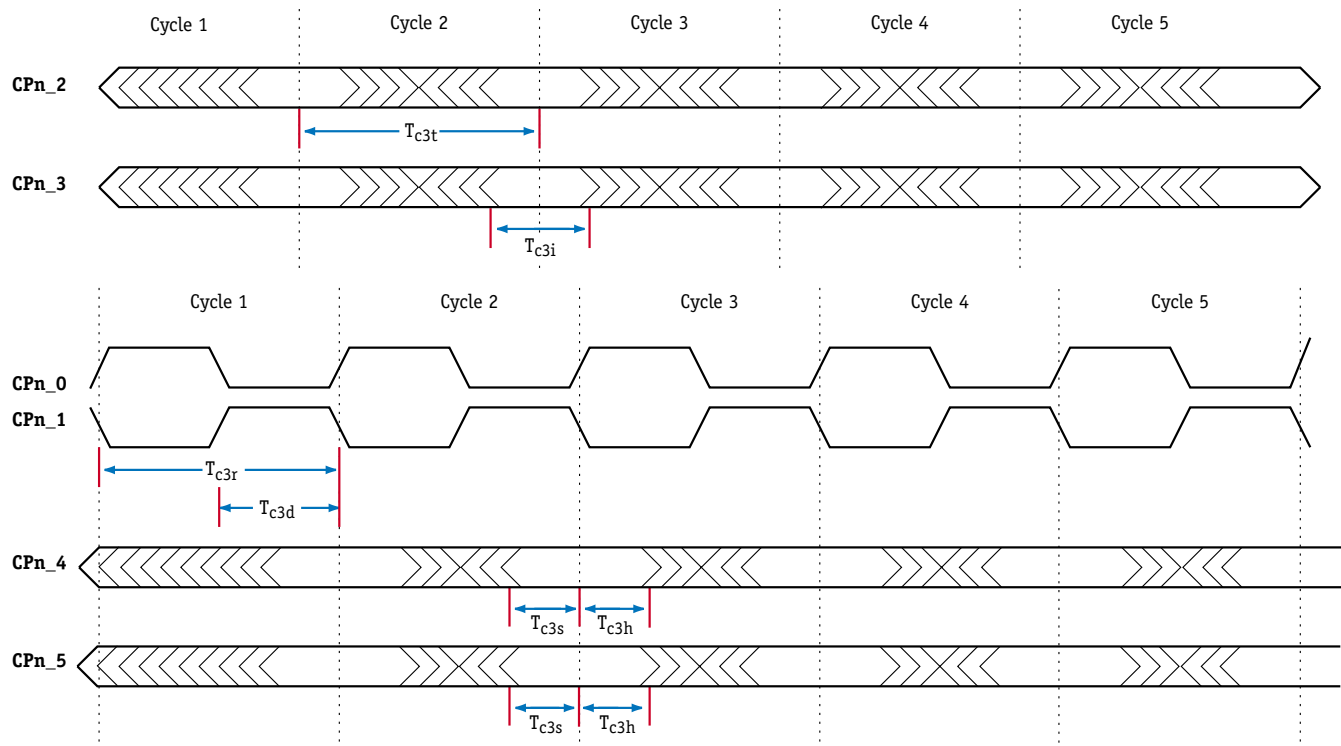


Table 46 OC-3 Timing Description

SYMBOL	PARAMETER	MIN	TYP	MAX	UNIT
T_{c3t}	OC-3 Transmit Cycle Time		6.43		ns
T_{c3i}	OC-3 Pulse Width	2.0			ns
T_{c3r}	OC-3 Receive Cycle Time*	6.0			ns
T_{c3d}	OC-3 Clock Duty Cycle	40		60	%
T_{c3s}	OC-3 Setup Time	2.0			ns
T_{c3h}	OC-3 Hold Time	0.0			ns

* 155.52MHz

OC-12 Timing Specifications

The OC-12 interface timing is shown in Figure 18 and described in Table 47.

Figure 18 OC-12 Timing Diagram

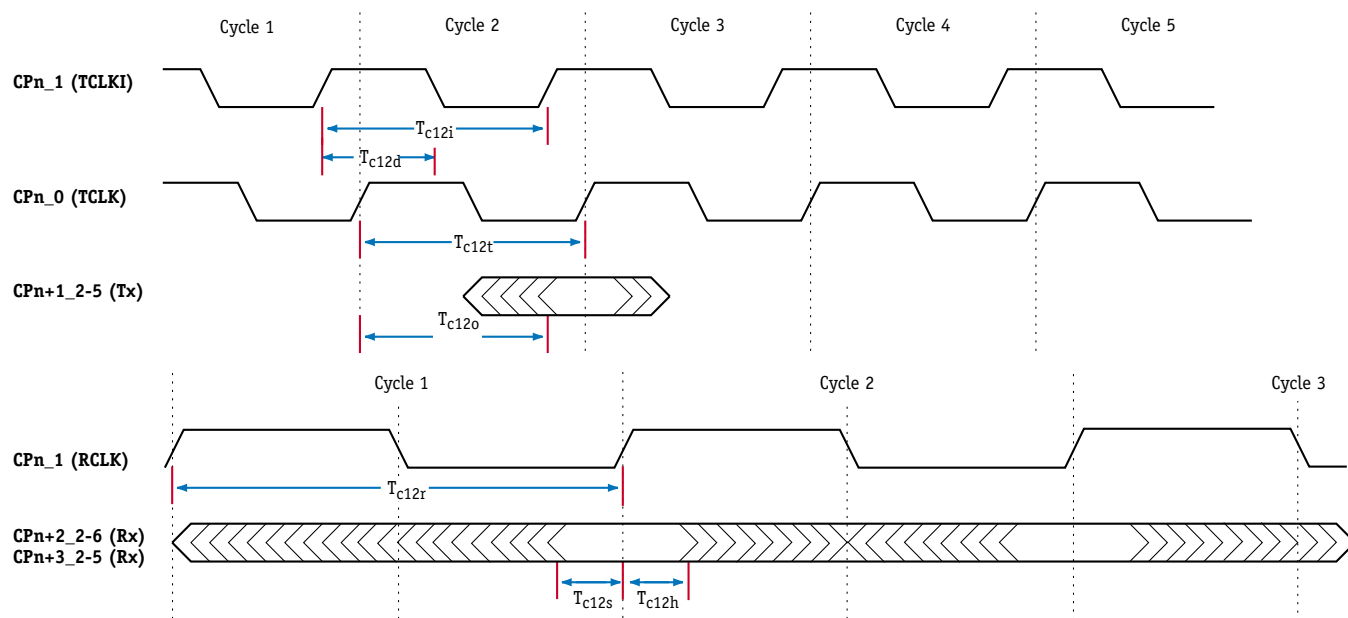


Table 47 OC-12 Timing Description

SYMBOL	PARAMETER	MIN	TYP	MAX	UNIT
T _{c12i}	OC-12 Transmit Cycle Time*		12.86		ns
T _{c12d}	OC-3 Clock Duty Cycle	40		60	%
T _{c12t}	OC-12 Transmit Cycle Time†		12.86		ns
T _{c12o}	OC-12 Output Time‡	3.0		10.0	ns
T _{c12r}	OC-12 Receive Cycle Time	12.0	12.86		ns
T _{c12s}	OC-12 Setup Time	2.0			ns
T _{c12h}	OC-12 Hold Time	0.0			ns

* Input from PHY

† Output from C-5e NP

‡ Aligned to TCLK

Executive Processor Timing Specifications

The XP timing specifications include:

- [PCI Timing Specifications](#)
- [MDIO Serial Interface Timing Specifications](#)
- [Low Speed Serial Interface Timing Specifications](#)
- [PROM Interface Timing Specifications](#)

PCI Timing Specifications

The PCI timing is shown in [Figure 19](#) and described in [Table 48](#).

Figure 19 PCI Timing Diagram

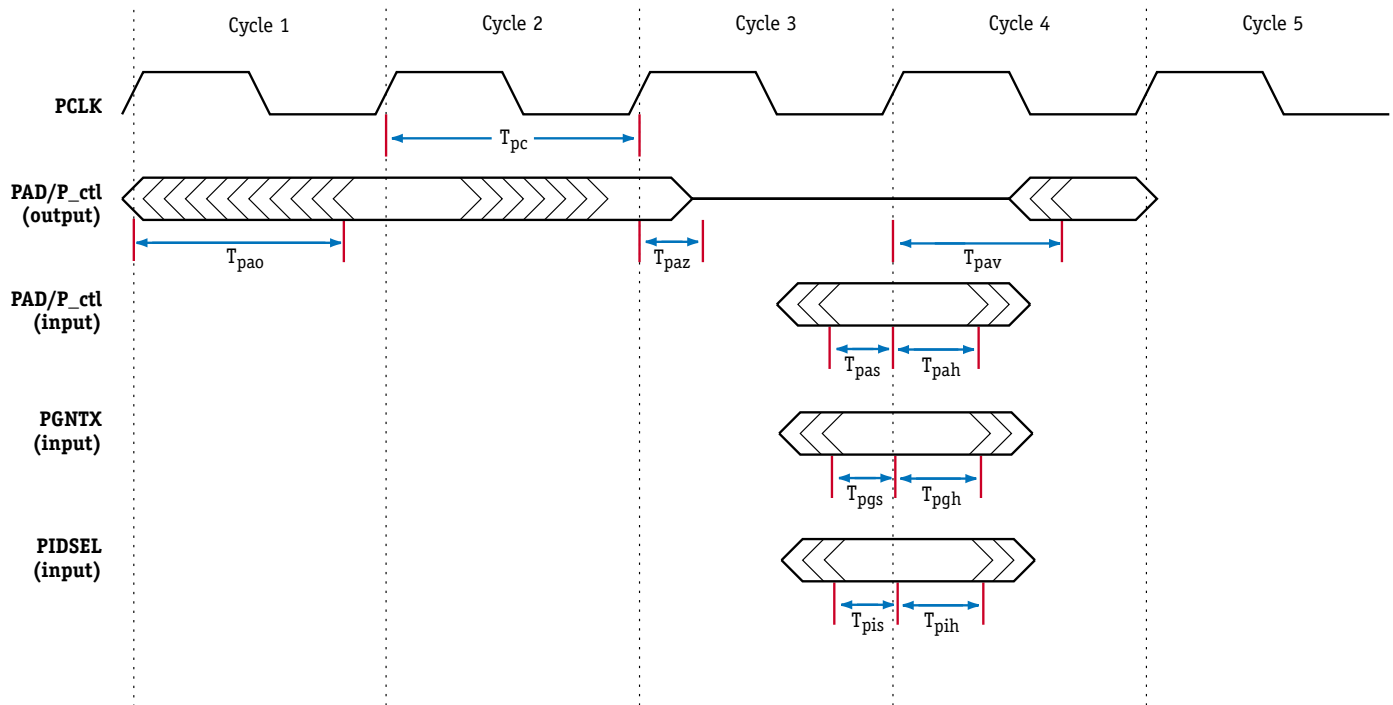


Table 48 PCI Timing Description

SYMBOL	PARAMETER	MIN	TYP	MAX	UNIT
T _{pc}	PCI Cycle Time*	15.0			ns
T _{pas}	PAD/P_ctl† Setup	3.0			ns
T _{pah}	PAD/P_ctl Hold	0.0			ns
T _{pao}	PAD/P_ctl Output	2.0		6.0	ns
T _{paz}	PAD/P_ctl Clk to Tri‡	2.0		6.0	ns
T _{pav}	PAD/P_ctl Clk to Driven‡	2.0		6.0	ns
T _{pgs}	PGNTX Setup	5.1			ns
T _{pgh}	PGNTX Hold	0.0			ns
T _{pis}	PIDSEL Setup	3.0			ns
T _{pih}	PIDSEL Hold	0.0			ns
	PRSTX**				ns
	PINTA**				ns

* 66MHz PCI

† P_ctl includes all PCI control parameters including: PPAR, PFRAMEX, PTRDYX, PIRDYX, PSTOPX, PDEVSELX, PPERRX, PSERRX

‡ Not fully tested, values based on design/characterization.

** Asynchronous

MDIO Serial Interface Timing Specifications

The MDIO serial interface timing is shown in Figure 20 and described in Table 49.

Figure 20 MDIO Serial Interface Timing Diagram

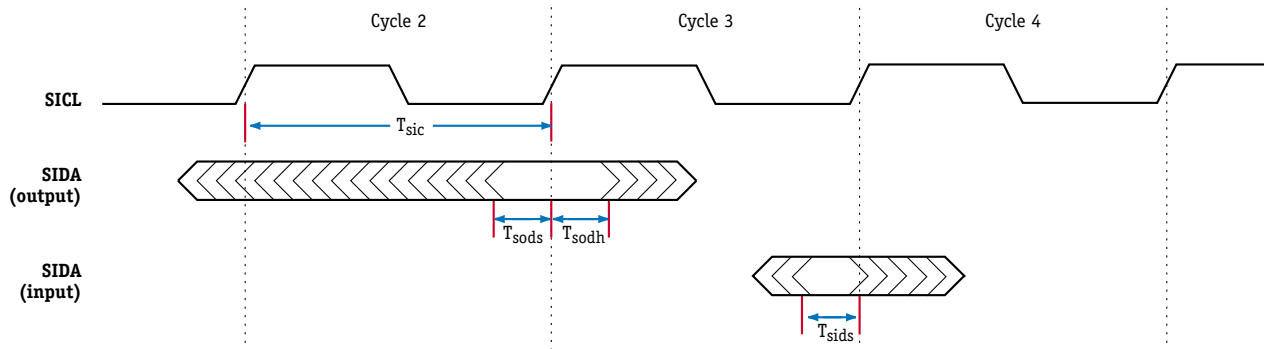


Table 49 MDIO Serial Interface Timing Description

SYMBOL	PARAMETER	MIN	TYP	MAX	UNIT
T_{sic}	SIDL Cycle Time	40			ns
T_{sids}	SIDA Input Setup	10			ns
T_{sidh}	SIDA Input Hold	0.0			ns
T_{sods}	SIDA Output Setup	10			ns
T_{sodh}	SIDA Output Hold	10			ns

Low Speed Serial Interface Timing Specifications

The low speed serial interface timing is shown in Figure 21 and described in Table 50.

Figure 21 Low Speed Serial Interface Timing Diagram

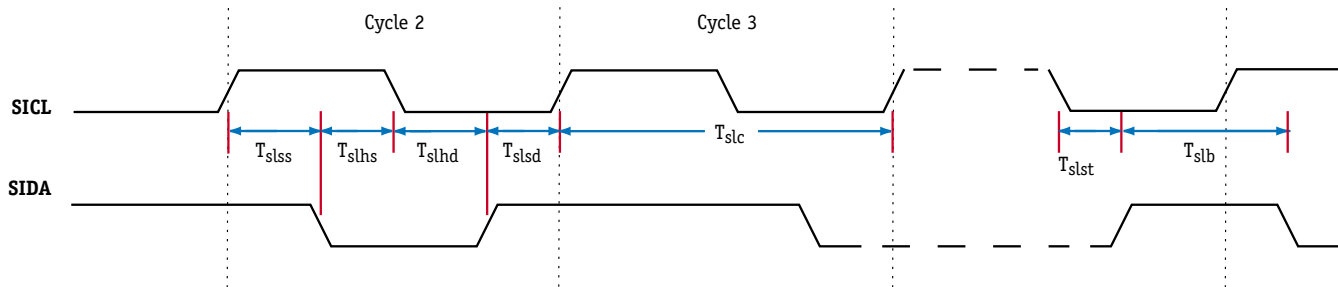


Table 50 Low Speed Serial Interface Timing Description

SYMBOL	PARAMETER	MIN	MAX	UNIT
T_{slc}	SICL Cycle Time	2500		ns
T_{slss}	Set-up Time for Repeated START Condition	600		ns
T_{slhs}	Hold Time START Condition	600		ns
T_{slsd}	Data Set-up Time	250		ns
T_{slhd}	Data Hold Time	0.0		ns
T_{slst}	Set-up Time for STOP Condition	600		ns
T_{slb}	Bus Free Time Between a STOP and START Condition	1250		ns
C_{max}	Capacitive load for each line of the bus		400	pF

PROM Interface Timing Specifications

The PROM interface timing is shown in Figure 22 and described in Table 51.

Figure 22 PROM Interface Timing Diagram

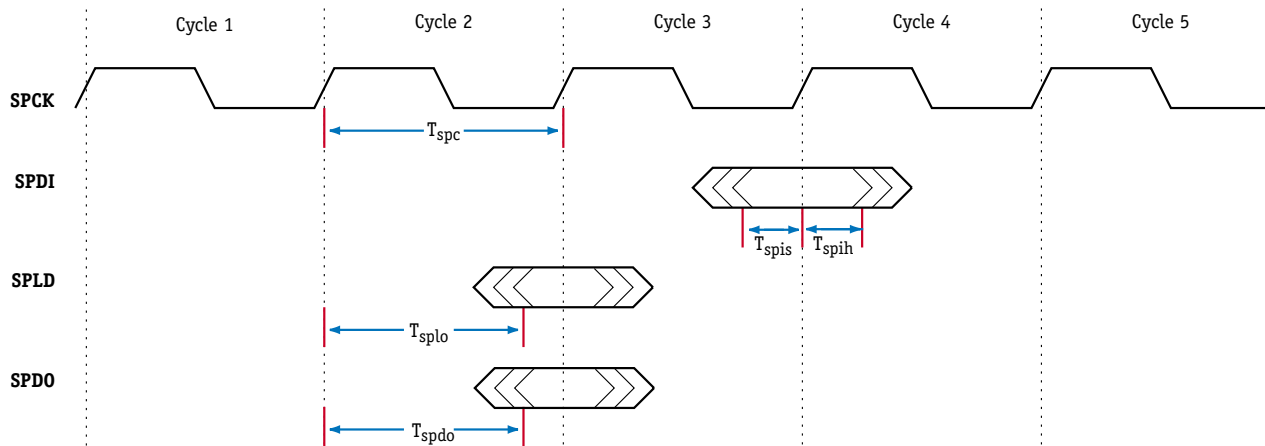


Table 51 PROM Interface Timing Description

SYMBOL	PARAMETER	MIN	TYP	MAX	UNIT
T_{spc}	SPCK Cycle Time	40.0			ns
T_{spis}	SPDI Setup	10.0			ns
T_{spih}	SPDI Hold	0.0			ns
T_{splo}	SPLD Output	T_{sc}		$T_{sc} + 3.0$	ns
T_{spdo}	SPDO Output	T_{sc}		$T_{sc} + 3.0$	ns

Fabric Processor Timing Specifications

The FP timing specifications are shown in Figure 23 and described in Table 52.

Figure 23 Fabric Processor Timing Diagram

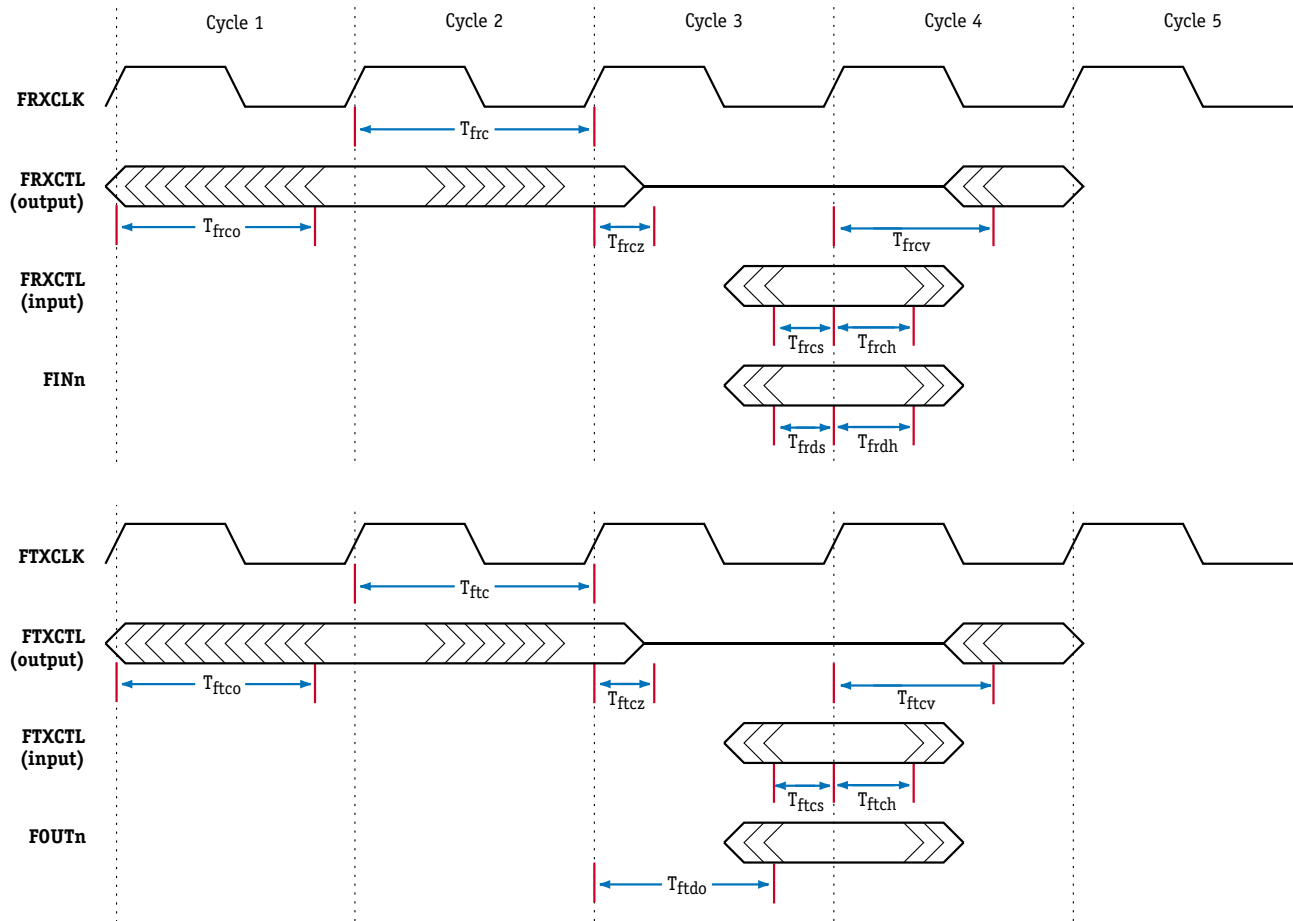


Table 52 Fabric Processor Timing Description

SYMBOL	PARAMETER	MIN	TYP	MAX	UNIT	COMMENT
Tfrc	FRX Cycle Time	8.0			ns	
Tfrcs	FRXCTL Setup	4.0 1.5			ns	Utopia2 Mode All other modes
Tfrch	FRXCTL Hold	0.0			ns	
Tfrco	FRXCTL Output	1.0		4.0	ns	
Tfrcz	FRXCTL Clk to Tri*	1.0		4.0	ns	
Tfrcv	FRXCTL Clk to Driven*	1.0		4.0	ns	
Tfrds	FIN Setup	4.0 1.5			ns	Utopia2 Mode All other modes
Tfrdh	FIN Hold	0.0			ns	
Tftc	FTX Cycle Time	8.0			ns	
Tftcs	FTXCTL Setup	4.0 1.5			ns	Utopia2 Mode All other modes
Tftch	FTXCTL Hold	0.0			ns	
Tftco	FTXCTL Output	1.0		4.0	ns	
Tftcz	FTXCTL Clk to Tri*	1.0		4.0	ns	
Tftcv	FTXCTL Tri to Driven*	1.0		4.0	ns	
Tftdo	FOUT Output	1.0		4.0	ns	

* Not fully tested, values based on design/characterization.

BMU Timing Specifications

The BMU timing specifications are shown in [Figure 24](#) and described in [Table 53](#).

The BMU synchronous DRAM interface is PC100-compliant and designed to work with industry standard SDRAM components with 12 or fewer address lines. The information below is intended to provide the output, setup, and hold data required to design this interface without duplicating the transaction waveform diagrams in SDRAM data sheets.

Figure 24 BMU Timing Diagram

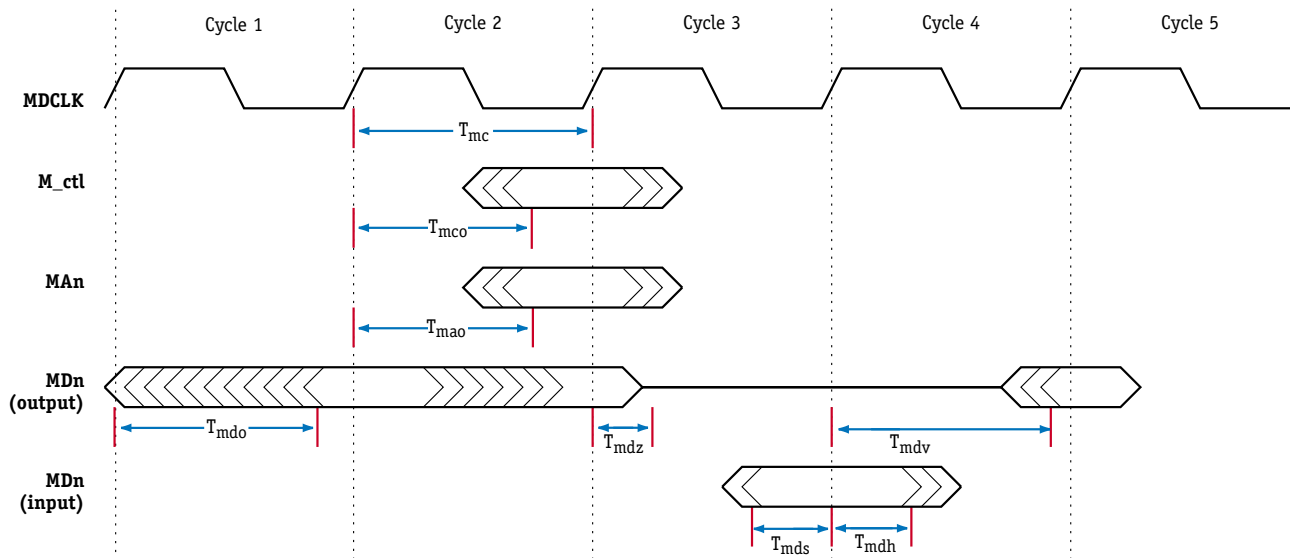


Table 53 BMU Timing Description

SYMBOL	PARAMETER	MIN	TYP	MAX	UNIT
Tmc	BMU Cycle Time	7.5			ns
Tmco	BMU Ctrl Output	0.8		3.4	ns
Tmao	BMU Addr Output	0.8		3.4	ns
Tmds	BMU Data Setup	0.5			ns
Tmdh	BMU Data Hold	1.1			ns
Tmdo	BMU Data Output	0.8		4.0	ns
Tmdz	BMU Data Clk to Tri*	0.8		4.0	ns
Tmdv	BMU Data Clk to Driven*	0.8		4.0	ns

* Not fully tested, values based on design/characterization.

Table 54 Signal Groups in BMU Timing Diagrams

SIGNAL GROUP	INCLUDED SIGNALS
Control (M_ctl)	MBA0, MBA1, MCASX, MRASX, MWEX, MCSX, MDQM, MDQML
Address (MA _n)	MA0 - MA11
Data (MD _n)	MD0 - MD129, MDECC0 - MDECC8

TLU Timing Specifications The TLU timing specifications are shown in Figure 25 and described in Table 55.

Figure 25 TLU Timing Diagram

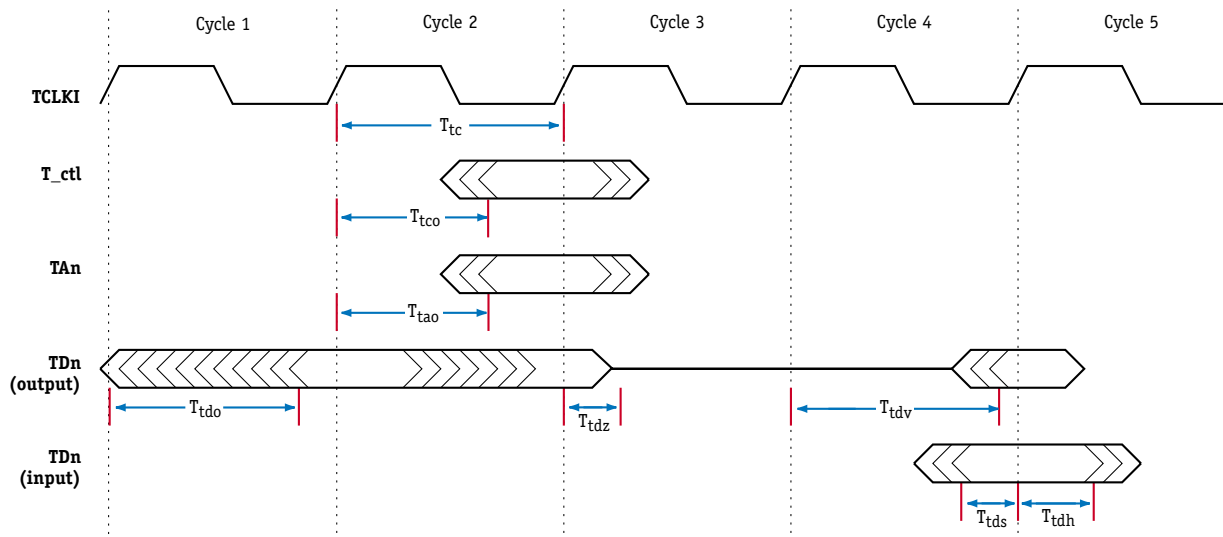


Table 55 TLU Timing Description

SYMBOL	PARAMETER	MIN	TYP	MAX	UNIT
Ttc	TLU Cycle Time	7.5			ns
Ttco	TLU Ctrl Output	0.8		3.4	ns
Ttao	TLU Addr Output	0.8		3.4	ns
Ttds	TLU Data Setup	1.0			ns
Ttdh	TLU Data Hold	1.2			ns
Ttdo	TLU Data Output	0.8		3.7	ns
Ttdz	TLU Data Clk to Tri*	0.8		3.7	ns
Ttdv	TLU Data Clk to Driven*	0.8		3.7	ns

* Not fully tested, values based on design/characterization.

Table 56 Signal Groups in TLU Timing Diagrams

SIGNAL GROUP	INCLUDED SIGNALS
Control (T_ctl)	TCE0X - TCE3X, TWE0X - TWE3X
Address (TAn)	TA0 - TA21

Table 56 Signal Groups in TLU Timing Diagrams

SIGNAL GROUP	INCLUDED SIGNALS
Data (TDn)	TD0 - TD63, TPAR0-3

QMU SRAM (Internal Mode) Timing Specifications

The QMU SRAM (Internal Mode) timing specifications are shown in [Figure 26](#) and described in [Table 57](#).

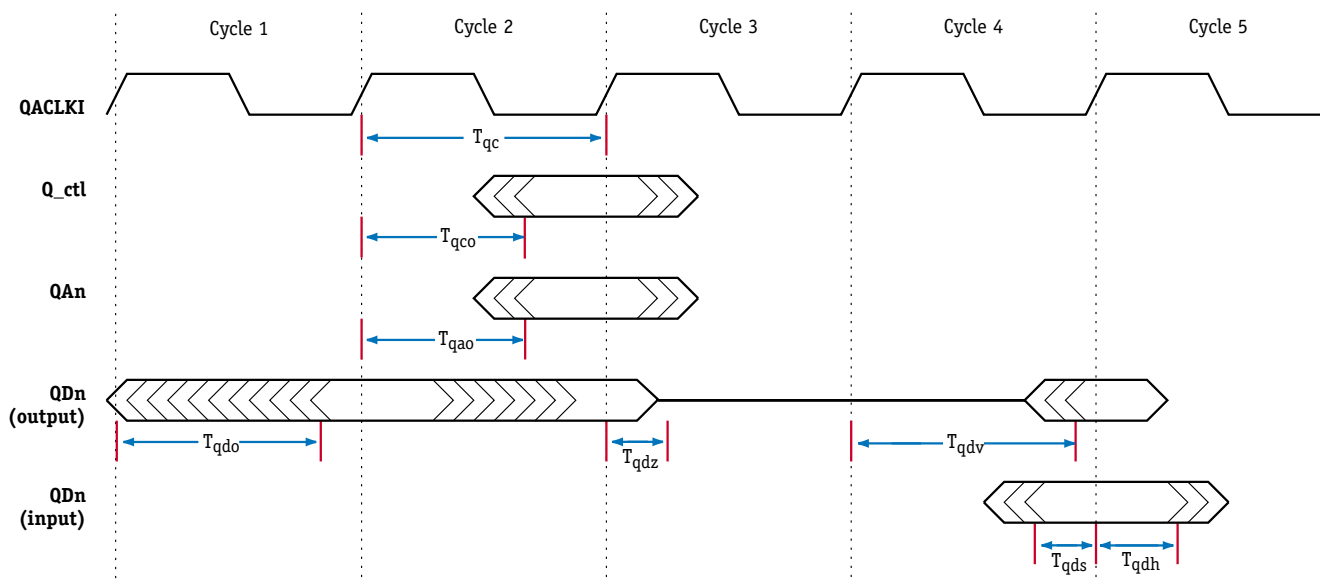
Figure 26 QMU SRAM (Internal Mode) Timing Diagram

Table 57 QMU SRAM (Internal Mode) Timing Description

SYMBOL	PARAMETER	MIN	TYP	MAX	UNIT	COMMENT
T _{qc}	QMU Cycle Time	5.7			ns	
T _{qco}	QMU Ctrl Output	0.8		3.4	ns	Loading is 50Ω transmission line.
T _{qao}	QMU Addr Output	0.8		3.4	ns	Loading is 50Ω transmission line.
T _{qds}	QMU Data Setup	0.8			ns	
T _{qdh}	QMU Data Hold	0.8			ns	
T _{qdo}	QMU Data Output	0.9		3.4	ns	Loading is 50Ω transmission line.
T _{qdz}	QMU Data Clk to Tri*	0.9		3.4	ns	
T _{qdv}	QMU Data Clk to Driven*	0.9		3.4	ns	

* Not fully tested, values based on design/characterization.

Table 58 Signal Groups in QMU SRAM (Internal Mode) Timing Diagrams

SIGNAL GROUP	INCLUDED SIGNALS
Control (Q_ctl)	QWEX
Address (QAn)	QA0-QA16
Data (QDn)	QD0-QD31, QDPL, QDPH

QMU to Q-5 (External Mode) Timing Specifications

The QMU to Q-5 (External Mode) timing specifications are shown in Figure 27 and described in Table 59.

Figure 27 QMU to Q-5 (External Mode) Timing Diagram

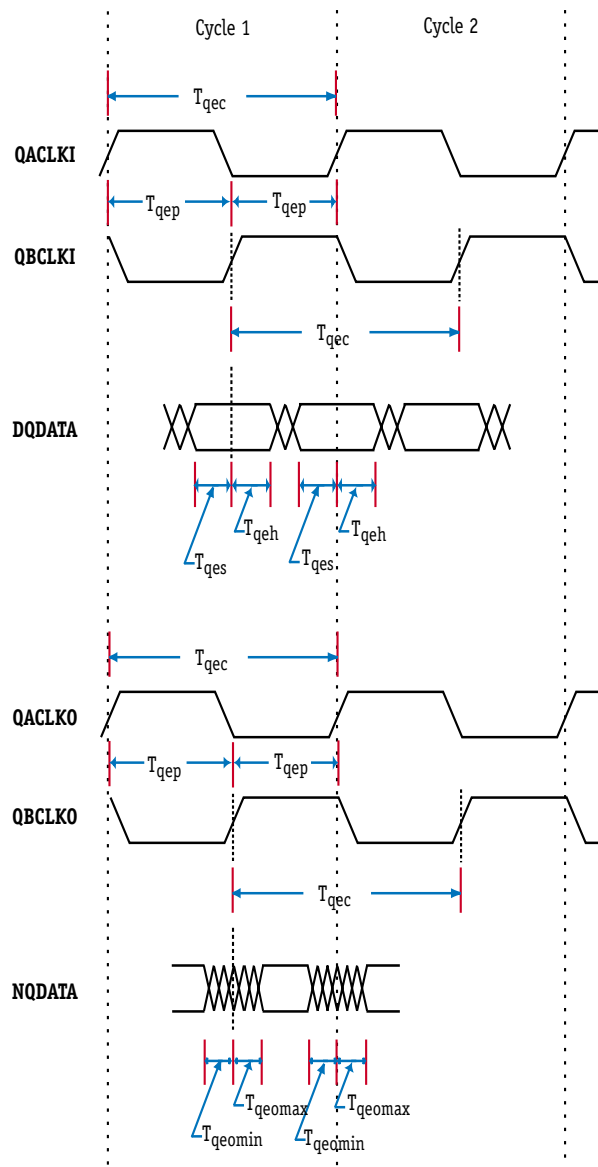


Table 59 QMU to Q-5 (External Mode) Timing Description

SYMBOL	PARAMETER	MIN	TYP	MAX	UNIT	COMMENT
Tqec	QMU External Cycle Time	10.0			ns	QACLKO/QBCLKO derived from QACLKI/QBCLKI
Tqep	QMU CLKA-CLKB delta between rising edges	4.8			ns	
Tqes	QMU Input Data Setup	0.6			ns	
Tqeh	QMU Input Data Hold	0.8			ns	
Tqeo	QMU Data Output	-0.85		1.3	ns	Determines valid time for data from each clock rising edge

Table 60 Signal Groups in QMU to Q-5 (External Mode) Timing Diagrams

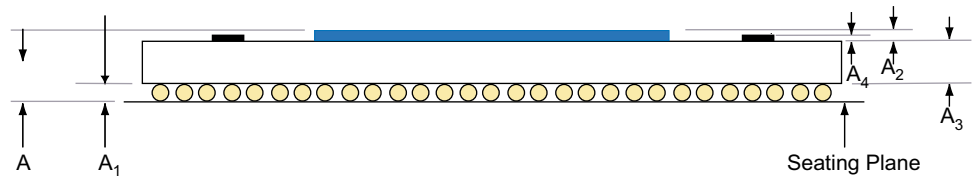
SIGNAL GROUP	INCLUDED SIGNALS
Input Clocks (QnCLKI)	QACLKI, QBCLKI
Output Clocks (QnCLKO)	QACLKO, QBCLKO
Input Data (DQDATA)	QD0-23, QARDY, QDPL, QDPH, QNQRDY, QDQPAR
Output Data (NQDATA)	QA0-16, QWEX, QD24-31

MECHANICAL SPECIFICATIONS

Package Views

The C-5e network processor is an 840 pin (29 pins x 29 pins) Ball Grid Array (BGA) package as shown in the following illustrations. [Table 61](#) defines the package measurements.

Figure 28 C-5e Network Processor BGA Package Side View



HiTCE: Green ceramic is thermally matched to FR4 circuit board.

Figure 29 C-5e Network Processor BGA Package (Bottom View)

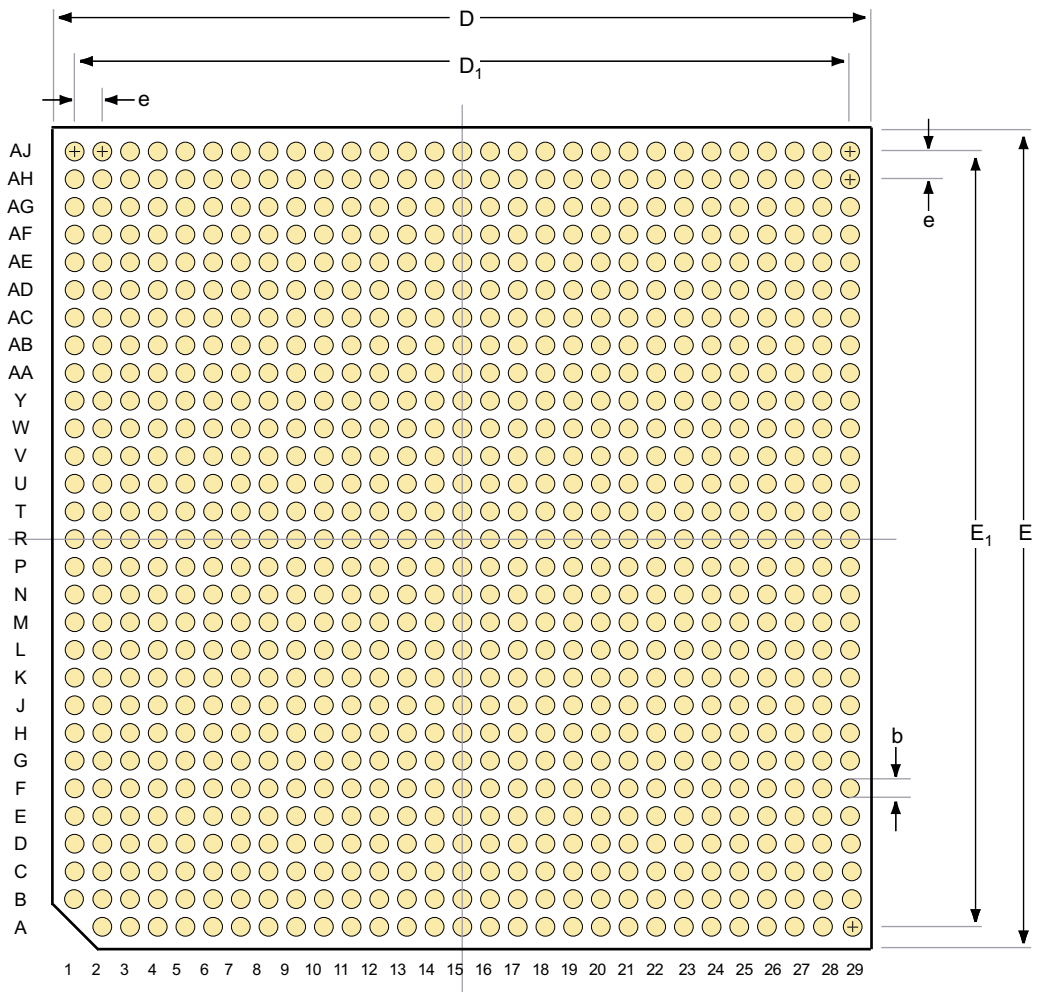
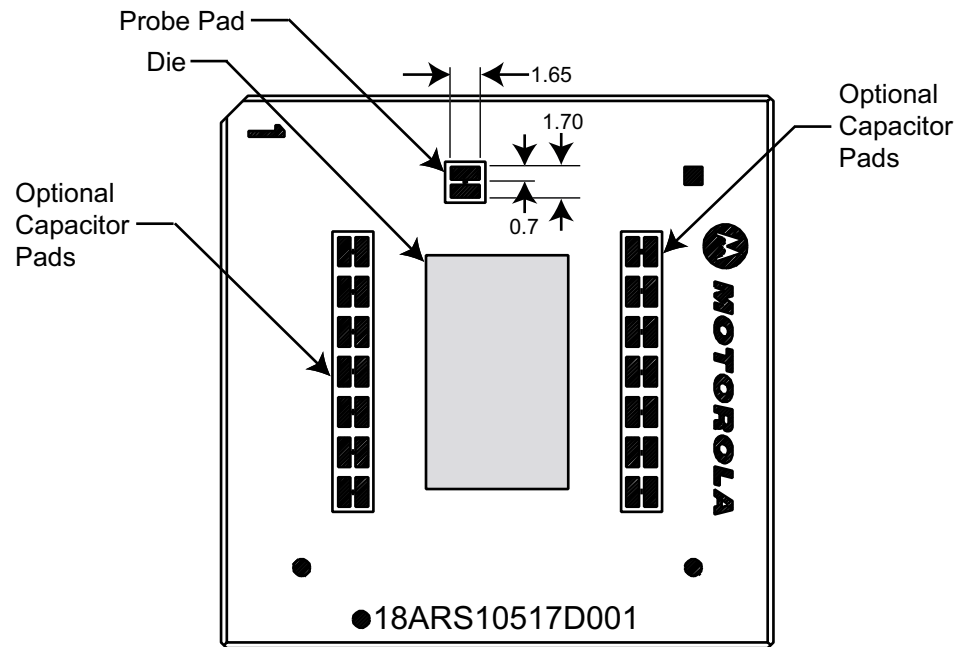


Figure 30 C-5e Network Processor BGA Package (Top View)



Package Measurements

Table 61 defines the C-5e NP package measurements, providing nominal, minimum, and maximum sizes where appropriate.

Table 61 Package Measurements (Reference [Figure 28](#), [Figure 29](#) and [Figure 30](#) for Symbols)

SYMBOL	DEFINITION	NOM. (MM)	MIN. (MM)	MAX. (MM)
A	Overall	3.26	2.97	3.55
A ₁	Ball height	0.70	0.6	0.8
A ₂	C4 and Die	0.86	0.82	0.9
A ₃	Body thickness	1.7	1.55	1.85
A ₄	Capacitor pads			0.6
D	Body size	31.00	30.80	31.20
D ₁	Ball footprint (X)	28.00		
E	Body size	31.00	30.80	31.20
E ₁	Ball footprint (Y)	28.00		
e	Ball pitch	1.00		
b	Ball diameter	0.70		



At Motorola's discretion up to fourteen (14) capacitors may or may not be attached on the top of the package.

Marking Codes

Table 62 explains the marking on the C-5e NP.

Table 62 C-5e Network Processor Marking Codes

MARKING (EXPLANATION OF CODES)	
Top	Logo/Part#/Date Code
Bottom	N/A
Pin 1 Marking	Chamfered Corner

Reflow

Typical Reflow Profile for the C-5e Switch Module comprises:

- 1 Follow the guidelines recommended by your solder paste supplier.



Flux requirements must be met for best solderability.

- 2 The temperature profile should be carefully characterized to ensure uniform temperature across the board and package.



Solder ball voiding may be affected by ramp rates and dwell times below and above liquids.

- 3 A nitrogen atmosphere is not required, but will make the process more robust. It can make a difference for marginally solderable PC board pads.
- 4 Full convection forced air furnaces work best, but IR, Convection/IR, or vapor phase can be used.



INDEX

Symbols

10/100 Ethernet (RMII) Configuration [34](#)
10/100 Ethernet Signals [34](#)
10/100 Ethernet Timing Description [84](#)
10/100 Ethernet Timing Diagram [84](#)
10/100 Ethernet Timing Specifications [84](#)

A

Absolute Maximum Ratings [73](#)
AC Timing Specifications [81](#)

B

Block Diagram, C-5e Network Processor [20](#)
BMU SDRAM Interface Signals [52](#)
BMU Signal Groups [97](#)
BMU Timing Description [96](#)
BMU Timing Diagram [96](#)
BMU Timing Specifications [96](#)
Boundary Scan Cell Types [69](#)
Boundary Scan Description Language [72](#)
Bringup Clock Timing Diagram [76](#)
Buffer Management Unit [24](#)

C

C-5e Network Processor Absolute Maximum Ratings [73](#)
C-5e Network Processor BGA Package, Bottom View [104](#)
C-5e Network Processor BGA Package, Side View [103](#)
C-5e Network Processor Capacitance Data [75](#)
C-5e Network Processor DC Characteristics [75](#)
C-5e Network Processor Power and Thermal Characteristics [77](#)
C-5e NP Channel Processors [22](#)
Channel Processor Interface Signals [32](#)

Channel Processors [22](#)
Channel Processors Physical Interface Signals and Pins
 Grouped by Clusters [33](#)
Clock and Reference Signals [31](#)
Clock Signals [31](#)
Clock Timing Specifications [82](#)
Configuration
 10/100 Ethernet (RMII) [34](#)
 DS1/T1 Framing Interface [34](#)
 FibreChannel TBI [38](#)
 Gigabit Ethernet [38](#)
 Gigabit Ethernet (GMII) [35](#)
 SONET OC-12 Transceiver Interface [40](#)
 SONET OC-3 Transceiver Interface [39](#)
Configurations
 GMII/TBI Transmit and Receive Pin [36](#)
CP Timing Specifications [83](#)
CSIX-L1 Mode, C-5e Network Processor to Fabric Interface Pin
 Mapping [51](#)

D

Data Registers
 JTAG [69](#)
DC Characteristics [75](#)
Description
 Functional [19](#)
Description Language
 Boundary Scan [72](#)
Descriptions
 Signal [27](#)
Diagram
 10/100 Ethernet Timing [84](#)
 BMU Timing [96](#)
 Bringup Clock Timing [76](#)
 DS1/DS3 Ethernet Timing [83](#)

Fabric Processor Timing 94
 Gigabit Ethernet (TBI) Timing 85
 Low Speed Serial Interface Timing 92
 MDIO Serial Interface Timing 91
 OC-3 Timing 87
 PCI Timing 89
 Pinout 28
 PROM Interface 45
 PROM Interface Timing 93
 QMU Timing 99
 Signal Groups in BMU Timing 97
 Signal Groups in QMU Timing 100
 Signal Groups in TLU Timing 98
 System Clock Timing 82
 TLU Timing 98
 Diagram, Block
 C-5e Network Processor 20
 DS1/DS3 Ethernet Timing Description 84
 DS1/DS3 Ethernet Timing Diagram 83
 DS1/DS3 Timing Specifications 83
 DS1/T1 Framer Interface Configuration 34
 DS1/T1 Framer Interface Signals 34

E

Electrical Specifications 73
 Absolute Maximum Ratings 73
 Executive Processor 23
 PCI 23
 PROM Interface 24
 Serial Bus Interface 23
 System Interface Signals 42
 System Interfaces 23
 Executive Processor Timing Specifications 89

F

Fabric Interface Pin Mapping
 CSIX-L1 Mode 51
 Power X(CSIX-L0) Mode 50
 PRIZMA Mode 50
 Utopia2/Utopia3 ATM Mode 49
 Utopia2/Utopia3 PHY Mode 49
 Fabric Processor 24

Fabric Processor Interface Signals 48
 Fabric Processor Timing Description 95
 Fabric Processor Timing Diagram 94
 Fabric Processor Timing Specifications 94
 Functional Description 19

G

General System Interface Signal 47
 Gigabit Ethernet (GMII) Configuration 35
 Gigabit Ethernet (GMII) Signals
 One Cluster Example 36
 Gigabit Ethernet (TBI) Timing Description 86, 86
 Gigabit Ethernet (TBI) Timing Diagram 85
 Gigabit Ethernet and FibreChannel TBI Configuration 38
 Gigabit Ethernet and FibreChannel TBI Signals
 Example 38
 Gigabit GMII Ethernet, TBI and MII Interface Timing Specification 85
 GMII/TBI Transmit and Receive Pin Configurations 36

I

IDcode Register 71
 Instruction Register Instructions 71

J

JTAG Data Registers 69
 JTAG Identification Code and Its Sub-components 71
 JTAG Instruction Register 71
 JTAG Internal Register Descriptions 69
 JTAG Support
 Pinouts 69

L

Low Speed Serial Interface Timing Description 92
 Low Speed Serial Interface Timing Diagram 92
 Low Speed Serial Interface Timing Specifications 92
 LVPECL Specifications 30
 LVTTTL Specifications 30

M

MDIO Serial Interface Timing Description [91](#)
 MDIO Serial Interface Timing Diagram [91](#)
 MDIO Serial Interface Timing Specifications [91](#)
 Measurements
 C-5e Network Processor [106](#)
 Mechanical Specifications [103](#)
 Miscellaneous Test Signals for JTAG, Scan, and Internal Test
 Routines [58](#)

N

No Connection Pins [58](#)

O

OC-12 Signals [40](#)
 OC-12 Timing Description [88](#)
 OC-12 Timing Specifications [88](#)
 OC-3 Signals [39](#)
 OC-3 Timing Description [87](#)
 OC-3 Timing Diagram [87](#)
 OC-3 Timing Specifications [87](#)
 Operating Conditions, Recommended [74](#)

P

Package Measurements [106](#)
 PCI Signals [42](#)
 PCI Timing Description [90](#)
 PCI Timing Diagram [89](#)
 PCI Timing Specifications [89](#)
 Pin Descriptions
 Grouped by Function [30](#)
 Pin Locations [28](#)
 Pin Number Signals Groups [59](#)
 Pinout Diagram [28](#)
 Power Sequencing [76, 77](#)
 Power Supply Signals [57](#)
 Power X(CSIX-L0) Mode, Fabric Interface Pin Mapping [50](#)
 PRIZMA Mode, C-5e Network Processor to Fabric Interface Pin
 Mapping [50](#)
 Processor, Executive [23](#)
 Processor, Fabric [24](#)
 PROM Interface Diagram [45](#)
 PROM Interface Signals [44](#)

PROM Interface Timing Description [93](#)
 PROM Interface Timing Diagram [93](#)
 PROM Interface Timing Outline [46](#)
 PROM Interface Timing Specifications [93](#)

Q

QMU Signal Groups [100](#)
 QMU SRAM (Internal Mode) Timing Diagram [99](#)
 QMU SRAM Interface Signals [55, 56](#)
 QMU Timing Description [100](#)
 QMU Timing Specifications [99](#)
 QMU to Q-5 (External Mode) Timing Diagram [101](#)
 Queue Management Unit [26](#)

R

Recommended Operating Conditions [74](#)
 Register
 IDcode [71](#)
 JTAG Instruction [71](#)

S

Serial Interface Signals [43](#)
 Serial Port Signals [43](#)
 Signal
 General System Interface [47](#)
 Signal Descriptions [27](#)
 Signal Summary [27](#)
 Signals
 10/100 Ethernet [34](#)
 BMU SDRAM Interface [52](#)
 Channel Processor Interface [32](#)
 Clock [31](#)
 Clock and Reference [31](#)
 DS1/T1 Framer Interface [34](#)
 Fabric Processor Interface [48](#)
 Grouped by Pin Number [59](#)
 OC-12 [40](#)
 OC-3 [39](#)
 PCI [42](#)
 Power Supply [57](#)
 PROM Interface [44](#)
 QMU SRAM Interface [55, 56](#)

- Serial Interface [43](#)
- Serial Port [43](#)
- Test [58](#)
- TLU SRAM Interface [54](#)
- SONET OC-12 Transceiver Interface Configuration [40](#)
- SONET OC-3 Transceiver Interface Configuration [39](#)
- Specifications
 - 10/100 Ethernet Timing [84](#)
 - AC Timing [81](#)
 - BMU Timing [96](#)
 - Clock Timing [82](#)
 - CP Timing [83](#)
 - DS1/DS3 Timing [83](#)
 - Electrical [73](#)
 - Executive Processor Timing [89](#)
 - Fabric Processor Timing [94](#)
 - Gigabit GMII Ethernet, TBI and MII Interface Timing Specification [85](#)
 - Low Speed Serial Interface Timing [92](#)
 - MDIO Serial Interface Timing [91](#)
 - Mechanical [103](#)
 - OC-12 Timing [88](#)
 - OC-3 Timing [87](#)
 - PCI Timing [89](#)
 - PROM Interface Timing [93](#)
 - QMU Timing [99](#)
 - TLU Timing [98](#)
 - XP Timing [89](#)
- System Clock Timing Description [82](#)
- System Clock Timing Diagram [82](#)
- System Interfaces
 - Executive Processor [23](#)

T

- Table Lookup Unit [25](#)
- Test Signals [58](#)
- Test Signals, Miscellaneous, For JTAG, Scan, and Internal Test Routines [58](#)
- Timing Outline
 - PROM Interface [46](#)
- TLU Signal Groups [98](#)
- TLU SRAM Interface Signals [54](#)
- TLU Timing Description [98](#)
- TLU Timing Diagram [98](#)
- TLU Timing Specifications [98](#)
- Transceiver Interface Configuration
 - SONET OC-12 [40](#)
 - SONET OC-3 [39](#)
- Transmit and Receive Pin Combinations for Gigabit Ethernet and FibreChannel [35](#)

U

- Utopia2/Utopia3 ATM Mode, C-5e Network Processor to Fabric Interface Pin Mapping [49](#)
- Utopia2/Utopia3 PHY Mode, C-5e Network Processor to Fabric Interface Pin Mapping [49](#)

X

- XP Timing Specifications [89](#)



MOTOROLA

Motorola, Inc. C-Port Family of Network Processors

120 Water Street, No. Andover, MA 01845 Voice: (978) 773-2300 FAX: (978) 773-2301