

CMSH2-20
CMSH2-40
CMSH2-60

NEW! CMSH2-100

**SCHOTTKY BARRIER RECTIFIER
2.0 AMP, 20 THRU 100 VOLTS**



SMB CASE

FEATURES:

- LOW COST
- SUPERIOR LOT TO LOT CONSISTENCY
- HIGH RELIABILITY
- "C" BEND CONSTRUCTION PROVIDES STRAIN RELIEF WHEN MOUNTED ON PC BOARD
- SPECIAL SELECTIONS AVAILABLE

DESCRIPTION:

The CENTRAL SEMICONDUCTOR 2.0 Amp Surface Mount Silicon Schottky Rectifier is a high quality, well constructed, highly reliable component designed for use in all types of commercial, industrial, entertainment, computer, and automotive applications. To order devices on 12mm Tape and Reel (3000/13" Reel), add TR13 suffix to part number.

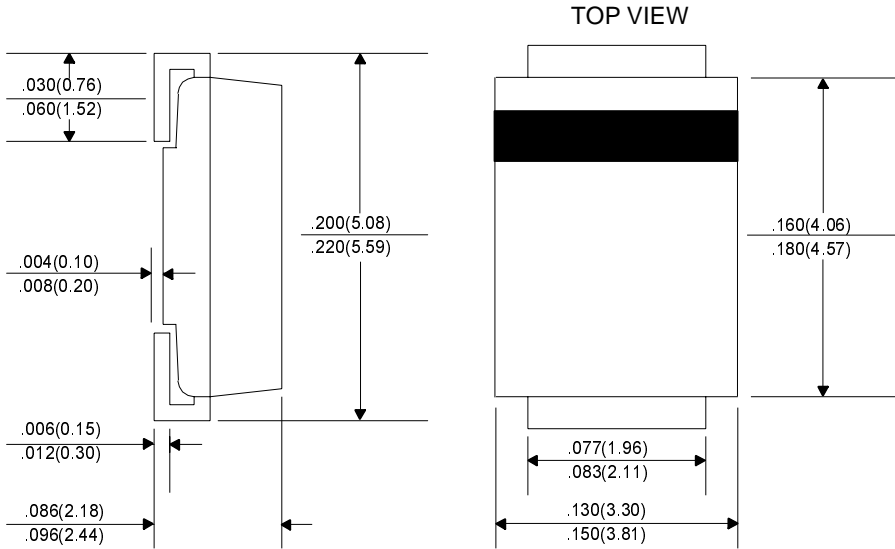
MAXIMUM RATINGS: (T_A=25°C unless otherwise noted)

	SYMBOL	CMSH2 <u>-20</u>	CMSH2 <u>-40</u>	CMSH2 <u>-60</u>	CMSH2 <u>-100</u>	
UNITS						
Peak Repetitive Reverse Voltage	V _{RRM}	20	40	60	100	V
DC Blocking Voltage	V _R	20	40	60	100	V
RMS Reverse Voltage	V _{R(RMS)}	14	28	42	71	V
Average Forward Current(T _A =55°C)	I _O			2.0		A
Peak Forward Surge Current (8.3ms)	I _{FSM}			50		A
Operating and Storage						
Junction Temperature	T _J , T _{stg}		-65 to +150			°C
Thermal Resistance	Θ _{JL}		20			°C/W

ELECTRICAL CHARACTERISTICS: (T_A=25°C unless otherwise noted)

SYMBOL	TEST CONDITIONS	MIN	TYP	MAX	UNITS
I _R	V _R =Rated V _{RRM}			0.50	mA
I _R	V _R =Rated V _{RRM} , T _A =100°C			20	mA
V _F	I _F =2.0A (CMSH2-20 AND CMSH2-40)			0.50	V
V _F	I _F =2.0A (CMSH2-60)			0.70	V
V _F	I _F =2.0A (CMSH2-100)			0.85	V
C _J	V _R =4.0V, f=1.0MHz, (CMSH2-20 AND CMSH2-40)		150		pF
C _J	V _R =4.0V, f=1.0MHz, (CMSH2-60 AND CMSH2-100)		120		pF

All dimensions in inches (mm).



Marking Codes:

DEVICE	MARKING CODE
CMSH2-20	CS220
CMSH2-40	CS240
CMSH2-60	CS260
CMSH2-100	CS2100