



L7583A/B/C/D Line Card Access Switch

Features

- Small size/surface-mount packaging
- Monolithic IC reliability
- Low impulse noise
- Make-before-break, break-before-make operation
- Clean, bounce-free switching
- Low, matched ON-resistance
- Built-in current limiting, thermal shutdown, and SLIC protection
- 5 V only operation, very low power consumption
- Battery monitor, all OFF state upon loss of battery
- No EMI
- Latched logic level inputs, no driver circuitry
- Only one external protector required

Applications

- Central office
- DLC
- PBX
- DAML
- HFC/FITL

Description

The L7583A/B/C/D Line Card Access Switch is a monolithic solid-state device providing the equivalent switching functionality of three 2 form C switches. The L7583 is designed to provide power ringing access, line test access (test out), and SLIC test access (test in) to tip and ring in central office, digital loop carrier, private branch exchange, digitally added main line, and hybrid fiber coax/fiber-in-the-loop analog line card applications. An additional pair of solid-state contacts are also available to provide access for testing of the ringing generator.

The L7583A/B has seven states: the idle talk state (line break switches closed, all other switches open), the power ringing state (ringing access switches closed, all other switches open), loop access state (loop access switches closed, all switches open), SLIC test state (test in switches closed, all other switches open), simultaneous loop and SLIC access state (loop and test in switches closed, all others open), ringing generator test state (ring test switches closed, all others open), and an all OFF state. The seven states in the L7583A/B are also in the L7583C/D, with an additional simultaneous test-out and ring-test state, making the L7583C/D appropriate for digital loop carrier and other Bellcore TR-57 applications.

The L7583 offers break-before-make or make-before-break switching, with simple logic level input control. Because of the solid-state construction, voltage transients generated when switching into an inductive ringing lead during ring cadence or ring trip are minimized, possibly eliminating the need for external zero cross switching circuitry. State control is via logic level inputs, so no additional driver circuitry is required.

The line break switch is a linear switch that has exceptionally low ON-resistance and an excellent ON-resistance matching characteristic. The ringing access switch has a breakdown voltage rating >480 V which is sufficiently high, with proper protection, to prevent breakdown in the presence of a transient fault condition (i.e., passing the transient on to the ringing generator).

Incorporated into the L7583Axx and L7583Cxx is a diode bridge/SCR clamping circuit, current-limiting circuitry, and a thermal shutdown mechanism to provide protection to the SLIC device and subsequent circuitry during fault conditions. This is shown in Figure 1 as version A. Positive and negative lightning is reduced by the current-limiting circuitry and steered to ground via diodes and the integrated SCR. Power cross is also reduced by the current-limiting and thermal shutdown circuits.

Description (continued)

The L7583Bxx and L7583Dxx versions provide only an integrated diode bridge along with current limiting and thermal shutdown (see Figure 2 for version B). This will cause positive faults to be directed to ground and negative faults to battery. In either polarity, faults are reduced by the current-limit and/or thermal shutdown mechanisms.

To protect the L7583 from an overvoltage fault condition, use of a secondary protector is required. The secondary protector must limit the voltage seen at the tip/ring terminals to prevent the breakdown voltage of the switches from being exceeded. To minimize stress on the solid-state contacts, use of a foldback- or crowbar-type secondary protector is recommended. With proper choice of secondary protection, a line card using the L7583 will meet all relevant ITU-T, LSSGR, FCC, or UL* protection requirements.

The L7583 operates off of a 5 V supply only. This gives the device extremely low idle and active power dissipation and allows use with virtually any range of battery voltage. This makes the L7583 especially appropriate for remote power applications such as DAML or FOC/FITL or other Bellcore TA 909 applications where power dissipation is particularly critical.

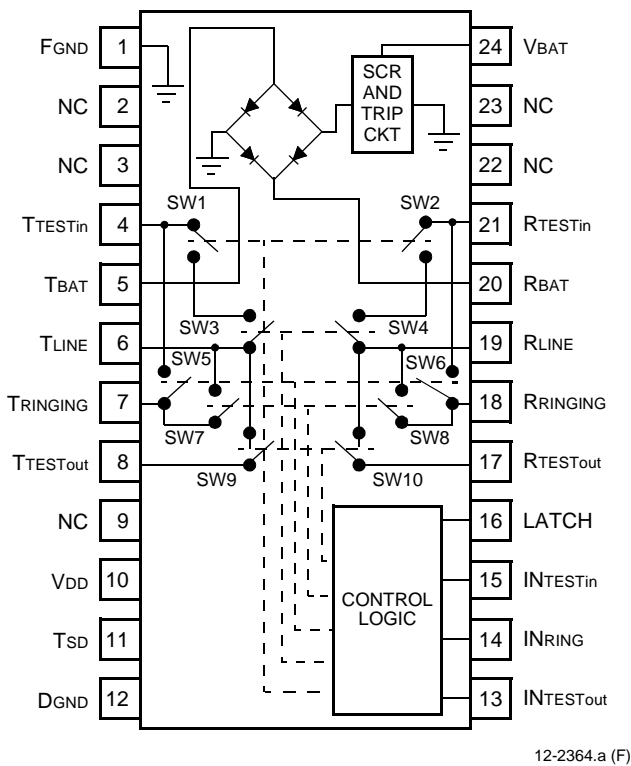
A battery voltage is also used by the L7583, only as a reference for the integrated protection circuit. The L7583 will enter an all OFF state upon loss of battery.

During power ringing, to turn on and maintain the ON state, the ring access switch and ring test switch will draw a nominal 2 mA or 4 mA from the ring generator.

The L7583A/B/C/D device is packaged in a 24-pin, plastic DIP (L7583AF/BF/CF/DF) and in a 28-pin, plastic SOG (L7583AAJ/BAJ/CAJ/DAJ).

* UL is a registered trademark of Underwriters Laboratories, Inc.

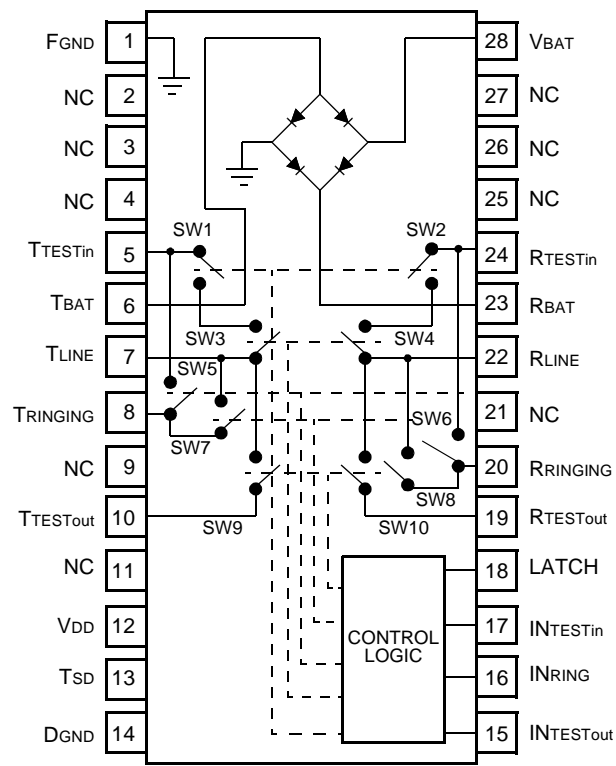
Pin Information



12-2364.a (F)

Note: Shown with A/C version protection. The 24-pin DIP is available with either A/C or B/D version protection.

Figure 1. 24-Pin, Plastic DIP (600 mil)



12-2365.d (F)

Note: Shown with B/D version protection. The 28-pin SOG is available with either A/C or B/D version protection.

Figure 2. 28-Pin, Plastic SOG

Pin Information (continued)

Table 1. Pin Descriptions

DIP	SOG	Symbol	Description	DIP	SOG	Symbol	Description
1	1	F _{GND}	Fault ground.	24	28	V _{BAT}	Battery voltage. Used as a reference for protection circuit.
2	2	NC	No connection.	23	27, 26	NC	No connection.
3	3, 4	NC	No connection.	22	25, 21	NC	No connection.
4	5	T _{TESTin}	Test (in) access on TIP.	21	24	R _{TESTin}	Test (in) access on RING.
5	6	T _{BAT}	Connect to TIP on SLIC side.	20	23	R _{BAT}	Connect to RING on SLIC side.
6	7	T _{LINE}	Connect to TIP on line side.	19	22	R _{LINE}	Connect to RING on line side.
7	8	T _{RINGING}	Connect to return ground for ringing generator.	18	20	R _{RINGING}	Connect to ringing generator.
8	10	T _{TESTout}	Test (out) access on TIP.	17	19	R _{TESTout}	Test (out) access on RING.
9	9, 11	NC	No connection.	16	18	LATCH	Data input control, active-high, transparent low.
10	12	V _{DD}	5 V supply.	15	17	I _{NTESTin}	Logic level switch input control.
11	13	T _{SD}	Temperature shutdown pin. Can be used as a logic level input or an output. See Tables 16 and 17, Truth Tables, and the Switching Behavior section of this data sheet for input pin description. As an output flag, will read 5 V when the device is in its operational mode and 0 V in the thermal shutdown mode. To disable the thermal shutdown mechanism, tie this pin to 5 V (not recommended).	14	16	I _{NRING}	Logic level switch input control.
12	14	D _{GND}	Digital ground.	13	15	I _{NTESTout}	Logic level switch input control.

Absolute Maximum Ratings

Stresses in excess of the absolute maximum ratings can cause permanent damage to the device. These are absolute stress ratings only. Functional operation of the device is not implied at these or any other conditions in excess of those given in the operational sections of the data sheet. Exposure to absolute maximum ratings for extended periods can adversely affect device reliability.

Table 2. Absolute Maximum Ratings

Parameter	Min	Max	Unit
Operating Temperature Range	-40	110	°C
Storage Temperature Range	-40	150	°C
Relative Humidity Range	5	95	%
Pin Soldering Temperature (t = 10 s max)	—	260	°C
5 V Power Supply	—	7	V
Battery Supply	—	-85	V
Logic Input Voltage	—	7	V
Input-to-output Isolation	—	330	V
Pole-to-pole Isolation	—	330	V

Handling Precautions

Although protection circuitry has been designed into this device, proper precautions should be taken to avoid exposure to electrostatic discharge (ESD) during handling and mounting. Lucent Technologies Microelectronics Group employs a human-body model (HBM) and a charged-device model (CDM) for ESD-susceptibility testing and protection design evaluation. ESD voltage thresholds are dependent on the circuit parameters used to define the model. No industry-wide standard has been adopted for CDM. However, a standard HBM (resistance = 1500 Ω , capacitance = 100 pF) is widely used and therefore can be used for comparison purposes. The HBM ESD threshold presented here was obtained by using these circuit parameters.

Table 3. HBM ESD Threshold Voltage

Device	Rating
L7583	1000 V

Electrical Characteristics

T_A = -40 °C to +85 °C, unless otherwise specified.

Minimum and maximum values are testing requirements. Typical values are characteristics of the device and are the result of engineering evaluations. Typical values are for information purposes only and are not part of the testing requirements.

Table 4. Power Supply Specifications

Supply	Min	Typ	Max	Unit	Supply	Min	Typ	Max	Unit
V _{DD}	4.5	5	5.5	V	V _{BAT} *	-19	—	-72	V

* V_{BAT} is used only as a reference for internal protection circuitry. If V_{BAT} rises above -10 V, the device will enter an all OFF state and remain in this state until the battery voltage drops below -15 V.

Table 5. Test In Switches, 1 and 2

Parameter	Test Condition	Measure	Min	Typ	Max	Unit
OFF-state Leakage Current:						
+25 °C	V _{switch} (differential) = -320 V to Gnd	I _{switch}	—	—	1	μ A
+85 °C	V _{switch} (differential) = -60 V to +260 V	I _{switch}	—	—	1	μ A
-40 °C	V _{switch} (differential) = -330 V to Gnd V _{switch} (differential) = -60 V to +270 V V _{switch} (differential) = -310 V to Gnd V _{switch} (differential) = -60 V to +250 V	I _{switch}	—	—	1	μ A
ON-resistance:						
+25 °C	I _{switch} (on) = \pm 5 mA, \pm 10 mA	Δ V _{ON}	—	45	—	Ω
+85 °C	I _{switch} (on) = \pm 5 mA, \pm 10 mA	Δ V _{ON}	—	—	70	Ω
-40 °C	I _{switch} (on) = \pm 5 mA, \pm 10 mA	Δ V _{ON}	—	33	—	Ω
Isolation:						
+25 °C	V _{switch} (both poles) = \pm 320 V, Logic inputs = Gnd	I _{switch}	—	—	1	μ A
+85 °C	V _{switch} (both poles) = \pm 330 V, Logic inputs = Gnd	I _{switch}	—	—	1	μ A
-40 °C	V _{switch} (both poles) = \pm 310 V, Logic inputs = Gnd	I _{switch}	—	—	1	μ A
dV/dt Sensitivity*	—	—	—	200	—	V/ μ s

* Applied voltage is 100 Vp-p square wave at 100 Hz.

Electrical Characteristics (continued)

Table 6. Break Switches, 3 and 4

Parameter	Test Condition	Measure	Min	Typ	Max	Unit
OFF-state Leakage Current:						
+25 °C	Vswitch (differential) = -320 V to Gnd	Iswitch	—	—	1	μA
+85 °C	Vswitch (differential) = -60 V to +260 V	Iswitch	—	—	1	μA
-40 °C	Vswitch (differential) = -330 V to Gnd Vswitch (differential) = -60 V to +270 V Vswitch (differential) = -310 V to Gnd Vswitch (differential) = -60 V to +250 V	Iswitch	—	—	1	μA
ON-resistance:						
+25 °C	T _{LINE} = ±10 mA, ±40 mA, T _{BAT} = -2 V	Δ V _{ON}	—	19.5	—	Ω
+85 °C	T _{LINE} = ±10 mA, ±40 mA, T _{BAT} = -2 V	Δ V _{ON}	—	—	28	Ω
-40 °C	T _{LINE} = ±10 mA, ±40 mA, T _{BAT} = -2 V	Δ V _{ON}	—	14.5	—	Ω
ON-resistance Match	Per ON-resistance test condition of SW3, SW4	Magnitude R _{ON} SW3 – R _{ON} SW4	—	0.2	1.0	Ω
ON-state Voltage*	Iswitch = I _{LIMIT} @ 50 Hz/60 Hz	V _{ON}	—	—	220	V
dc Current Limit:						
+85 °C	Vswitch (on) = ±10 V	Iswitch	80	—	—	mA
-40 °C	Vswitch (on) = ±10 V	Iswitch	—	—	250	mA
Dynamic Current Limit (t = <0.5 μs)	Break switches in ON state; ringing access switches OFF; apply ±1000 V at 10/1000 μs pulse; appropriate secondary protection in place	Iswitch	—	2.5	—	A
Isolation:						
+25 °C	Vswitch (both poles) = ±320 V, Logic inputs = Gnd	Iswitch	—	—	1	μA
+85 °C	Vswitch (both poles) = ±330 V, Logic inputs = Gnd	Iswitch	—	—	1	μA
-40 °C	Vswitch (both poles) = ±310 V, Logic inputs = Gnd	Iswitch	—	—	1	μA
dV/dt Sensitivity†	—	—	—	200	—	V/μs

* This parameter is not tested in production. Choice of secondary protector should ensure this rating is not exceeded.

† Applied voltage is 100 Vp-p square wave at 100 Hz.

Electrical Characteristics (continued)**Table 7. Ring Test Return Switch, 5**

Parameter	Test Condition	Measure	Min	Typ	Max	Unit
OFF-state Leakage Current: +25 °C	Vswitch (differential) = -320 V to Gnd	Iswitch	—	—	1	μA
+85 °C	Vswitch (differential) = -60 V to +260 V	Iswitch	—	—	1	μA
-40 °C	Vswitch (differential) = -330 V to Gnd Vswitch (differential) = -60 V to +270 V Vswitch (differential) = -310 V to Gnd Vswitch (differential) = -60 V to +250 V	Iswitch	—	—	1	μA
ON-resistance	Iswitch (on) = ±0 mA, ±10 mA	Δ V _{ON}	—	50	100	Ω
Isolation: +25 °C	Vswitch (both poles) = ±320 V, Logic inputs = Gnd	Iswitch	—	—	1	μA
+85 °C	Vswitch (both poles) = ±330 V, Logic inputs = Gnd	Iswitch	—	—	1	μA
-40 °C	Vswitch (both poles) = ±310 V, Logic inputs = Gnd	Iswitch	—	—	1	μA
dV/dt Sensitivity*	—	—	—	200	—	V/μs

* Applied voltage is 100 Vp-p square wave at 100 Hz.

Table 8. Ringing Test Switch, 6

Parameter	Test Condition	Measure	Min	Typ	Max	Unit
OFF-state Leakage Current: +25 °C	Vswitch (differential) = -60 V to +190 V	Iswitch	—	—	1	μA
+85 °C	Vswitch (differential) = +60 V to -190 V	Iswitch	—	—	1	μA
-40 °C	Vswitch (differential) = -60 V to +200 V Vswitch (differential) = +60 V to -200 V Vswitch (differential) = -60 V to +180 V Vswitch (differential) = +60 V to -180 V	Iswitch	—	—	1	μA
ON-resistance	Iswitch (on) = ±70 mA, ±80 mA	Δ V _{ON}	—	—	20	Ω
ON Voltage	Iswitch (on) = ±1 mA	—	—	—	1.5	V
Steady-state Current*	—	—	—	—	100	mA
Release Current	—	—	—	500	—	μA
Isolation: +25 °C	Vswitch (both poles) = ±320 V, Logic inputs = Gnd	Iswitch	—	—	1	μA
+85 °C	Vswitch (both poles) = ±330 V, Logic inputs = Gnd	Iswitch	—	—	1	μA
-40 °C	Vswitch (both poles) = ±310 V, Logic inputs = Gnd	Iswitch	—	—	1	μA
dV/dt Sensitivity†	—	—	—	200	—	V/μs

* Choice of secondary protector and series current-limit resistor should ensure these ratings are not exceeded.

† Applied voltage is 100 Vp-p square wave at 100 Hz.

Electrical Characteristics (continued)

Table 9. Ring Return Switch, 7

Parameter	Test Condition	Measure	Min	Typ	Max	Unit
OFF-state Leakage Current: +25 °C +85 °C -40 °C	Vswitch (differential) = -320 V to Gnd	Iswitch	—	—	1	µA
	Vswitch (differential) = -60 V to +260 V	Iswitch	—	—	1	µA
	Vswitch (differential) = -330 V to Gnd	Iswitch	—	—	1	µA
	Vswitch (differential) = -60 V to +270 V	Iswitch	—	—	1	µA
	Vswitch (differential) = -310 V to Gnd	Iswitch	—	—	1	µA
	Vswitch (differential) = -60 V to +250 V	Iswitch	—	—	1	µA
dc Current Limit	Vswitch (on) = ±10 V	Iswitch	—	200	—	mA
Dynamic Current Limit (t = <0.5 µs)	Break and loop switches in OFF state; ring return switch ON; apply ±1000 V at 10/1000 µs pulse; appropriate secondary protection in place	Iswitch	—	2.5	—	A
ON-resistance	Iswitch (on) = ±0 mA, ±10 mA	Δ V _{ON}	—	—	100	Ω
ON-state Voltage*	Iswitch = I _{LIMIT} @ 50 Hz/60 Hz	V _{ON}	—	—	130	V
Isolation: +25 °C +85 °C -40 °C	Vswitch (both poles) = ±320 V, Logic inputs = Gnd	Iswitch	—	—	1	µA
	Vswitch (both poles) = ±330 V, Logic inputs = Gnd	Iswitch	—	—	1	µA
	Vswitch (both poles) = ±310 V, Logic inputs = Gnd	Iswitch	—	—	1	µA
dV/dt Sensitivity†	—	—	—	200	—	V/µs

* This parameter is not tested in production. Choice of secondary protector should ensure this rating is not exceeded.

† Applied voltage is 100 Vp-p square wave at 100 Hz.

Table 10. Ringing Access Switch, 8

Parameter	Test Condition	Measure	Min	Typ	Max	Unit
OFF-state Leakage Current: +25 °C +85 °C -40 °C	Vswitch (differential) = -255 V to +210 V	Iswitch	—	—	1	µA
	Vswitch (differential) = +255 V to -210 V	Iswitch	—	—	1	µA
	Vswitch (differential) = -270 V to +210 V	Iswitch	—	—	1	µA
	Vswitch (differential) = +270 V to -210 V	Iswitch	—	—	1	µA
	Vswitch (differential) = -245 V to +210 V	Iswitch	—	—	1	µA
	Vswitch (differential) = +245 V to -210 V	Iswitch	—	—	1	µA
ON Voltage	Iswitch (on) = ±1 mA	—	—	—	3	V
Ring Generator Current During Ring	V _{CC} = 5 V I _{RING} = 1 I _{NTES_{Tin}} = 0 I _{NTES_{Tout}} = 0	I _{RING-SOURCE}	—	*	—	mA
Steady-state Current†	—	—	—	—	150	mA
Surge Current†	—	—	—	—	2	A
Release Current	—	—	—	500	—	µA
ON-resistance	Iswitch (on) = ±70 mA, ±80 mA	Δ V _{ON}	—	—	12	Ω
Isolation: +25 °C +85 °C -40 °C	Vswitch (both poles) = ±320 V, Logic inputs = Gnd	Iswitch	—	—	1	µA
	Vswitch (both poles) = ±330 V, Logic inputs = Gnd	Iswitch	—	—	1	µA
	Vswitch (both poles) = ±310 V, Logic inputs = Gnd	Iswitch	—	—	1	µA
dV/dt Sensitivity‡	—	—	—	200	—	V/µs

* At the time of publication of this data sheet, the current device design will be a nominal 4 mA. Devices are being redesigned to reduce this current to less than 2 mA nominally. Consult your Lucent Technologies Microelectronics Group account executive for additional details.

† Choice of secondary protector and series current-limit resistor should ensure these ratings are not exceeded.

‡ Applied voltage is 100 Vp-p square wave at 100 Hz.

Electrical Characteristics (continued)**Table 11. Loop Access Switches, 9 and 10**

Parameter	Test Condition	Measure	Min	Typ	Max	Unit
OFF-state Leakage Current:						
+25 °C	Vswitch (differential) = -320 V to Gnd	Iswitch	—	—	1	μA
+85 °C	Vswitch (differential) = -60 V to +260 V	Iswitch	—	—	1	μA
-40 °C	Vswitch (differential) = -330 V to Gnd Vswitch (differential) = -60 V to +270 V Vswitch (differential) = -310 V to Gnd Vswitch (differential) = -60 V to +250 V	Iswitch	—	—	1	μA
ON-resistance:						
+25 °C	Iswitch (on) = ±5 mA, ±10 mA	Δ Von	—	45	—	Ω
+85 °C	Iswitch (on) = ±5 mA, ±10 mA	Δ Von	—	—	70	Ω
-40 °C	Iswitch (on) = ±5 mA, ±10 mA	Δ Von	—	33	—	Ω
ON-state Voltage*	Iswitch = I _{LIMIT} @ 50 Hz/60 Hz	V _{ON}	—	—	130	V
dc Current Limit:						
+85 °C	Vswitch (on) = ±10 V	Iswitch	80	—	—	mA
-40 °C	Vswitch (on) = ±10 V	Iswitch	—	—	250	mA
Dynamic Current Limit (t = <0.5 μs)	Break switches in ON state; ringing access switches OFF; apply ±1000 V at 10/1000 μs pulse; appropriate secondary protection in place	Iswitch	—	2.5	—	A
Isolation:						
+25 °C	Vswitch (both poles) = ±320 V, Logic inputs = Gnd	Iswitch	—	—	1	μA
+85 °C	Vswitch (both poles) = ±330 V, Logic inputs = Gnd	Iswitch	—	—	1	μA
-40 °C	Vswitch (both poles) = ±310 V, Logic inputs = Gnd	Iswitch	—	—	1	μA
dV/dt Sensitivity†	—	—	—	200	—	V/μs

* This parameter is not tested in production. Choice of secondary protector should ensure this rating is not exceeded.

† Applied voltage is 100 Vp-p square wave at 100 Hz.

Electrical Characteristics (continued)

Table 12. Additional Electrical Characteristics

Parameter	Test Condition	Measure	Min	Typ	Max	Unit
Digital Input Characteristics: Input Low Voltage	—	—	—	—	1.5	V
Input High Voltage	—	—	3.5	—	—	V
Input Leakage Current (high)	$V_{DD} = 5.5\text{ V}$, $V_{BAT} = -75\text{ V}$, $V_{logicin} = 5\text{ V}$	I _{logicin}	—	—	1	μA
Input Leakage Current (low)	$V_{DD} = 5.5\text{ V}$, $V_{BAT} = -75\text{ V}$, $V_{logicin} = 0\text{ V}$	I _{logicin}	—	—	1	μA
Power Requirements: Power Dissipation	$V_{DD} = 5\text{ V}$, $V_{BAT} = -48\text{ V}$, idle/talk state or all OFF state, ringing state or access state	I _{DD} , I _{BAT} I _{DD}	— —	3 6	5 10	mW mW
V _{DD} Current	$V_{DD} = 5\text{ V}$, idle/talk state or all OFF state, ringing state or access state	I _{DD} I _{DD}	— —	560 0.750	900 1.9	μA mA
V _{BAT} Current	$V_{BAT} = -48\text{ V}$, idle/talk state or all OFF state, ringing state or access state	I _{BAT} I _{BAT}	— —	4 4	10 10	μA μA
Digital Input Characteristics: Input Low Voltage	—	—	—	—	1.5	V
Input High Voltage	—	—	3.5	—	—	V
Input Leakage Current (high)	$V_{DD} = 5.5\text{ V}$, $V_{BAT} = -58\text{ V}$, $V_{logicin} = 5\text{ V}$	I _{logicin}	—	—	1	μA
Input Leakage Current (low)	$V_{DD} = 5.5\text{ V}$, $V_{BAT} = -58\text{ V}$, $V_{logicin} = 0\text{ V}$	I _{logicin}	—	—	1	μA
Temperature Shutdown Requirements*: Shutdown Activation Temperature	—	—	110	125	150	$^{\circ}\text{C}$
Shutdown Circuit Hysteresis	—	—	10	—	25	$^{\circ}\text{C}$

* Temperature shutdown flag (TSD) will be high during normal operation and low during temperature shutdown state.

Zero Cross Current Turn Off

The ring access switch (SW8) is designed to turn off on the next zero current crossing after application of the appropriate logic input control. This switch requires a current zero cross to turn off. Switch 8, once on, will remain in the ON state (regardless of logic input) until a current zero cross. Therefore, to ensure proper operation of switch 8, this switch should be connected, via proper impedance, to the ringing generator or some other ac source. Do not attempt to switch pure dc with switch 8. The ringing test access switch, SW6, also has similar characteristics to switch 8 and should also only be used to switch signals with zero current crossings. For a detailed explanation of the operation of switches 6 and 8, please refer to the *An Introduction to L758X Series of Line Card Access Switches* Application Note.

Switching Behavior

When switching from the power ringing state to the idle/talk state, via simple logic level input control, the L7583 is able to provide control with respect to the timing when the ringing access contacts are released relative to the state of the line break contacts.

Make-before-break operation occurs when the line break switch contacts are closed (or made) before the ringing access switch contact is opened (or broken). Break-before-make operation occurs when the ringing access contact is opened before the line break switch contacts are closed.

Using the logic level input pins RING, TESTin, and TESTout, either make-before-break or break-before-make operation of the L7583 is easily achieved. The logic sequences for either mode of operation are given in Table 13 and Table 14. See the Truth Tables (Table 16 and Table 17) for an explanation of logic states.

When using an L758X in the make-before-break mode, during the ring-to-idle transition, for a period of up to one-half the ringing frequency, the ring break switch and the pnpn-type ring access switch can both be in the ON state. This is the maximum time after the logic signal at INRING has transitioned that the ring access

switch is waiting for the next zero current cross, so it can close. During this interval, current that is limited to the dc break switch current-limit value will be sourced from the ring node of the SLIC.

This current is presented to the internal protection circuit. If the SCR-type protector is used (A or C codes), if by random probability the ring-to-idle transition occurs during a portion of the ring cycle when the ringing voltage exceeds the protection circuit SCR turn-on voltage, and if current in excess of the SCR's turn-on current is also available, the SCR may turn on. Once the SCR is triggered on, if the SLIC is capable of supplying current in excess of the holding current, the SCR may be latched on by the SLIC.

The probability of this event depends on the characteristics of the given SLIC and of the holding current of the L7583 A or C device. The SCR hold current distribution is designed to be safely away from the test limit of 80 mA. The higher the distribution, the lower the probability of the latch.

If this situation is of concern for a given board design, either use the A or C series device in the break-before-make mode (eliminates the original 25 ms current pulse) or use a B or D series device (eliminates the SCR).

Table 13. Make-Before-Break Operation

RING	TESTin	TESTout	TSD	State	Timing	Break Switches 3 & 4	Ring Return Switch 7	Ring Access Switch 8	All Other Access Switches
5 V	0 V	0 V	Float	Power Ringing	—	Open	Closed	Closed	Open
0 V	0 V	0 V	Float	Make-before-break	SW8 waiting for next zero current crossing to turn off maximum time—one-half of ringing. In this transition state, current that is limited to the dc break switch current-limit value will be sourced from the ring node of the SLIC.	Closed	Open	Closed	Open
0 V	0 V	0 V	Float	Idle/Talk	Zero cross current has occurred.	Closed	Open	Open	Open

Switching Behavior (continued)

Table 14. Break-Before-Make Operation

INPUT	TESTin	TESTout	TSD	State	Timing	Break Switches 3 & 4	Ring Return Switch 7	Ring Access Switch 8	All Other Switches
5 V	0 V	0 V	Float	Power Ringing	—	Open	Closed	Closed	Open
5 V	0 V	5 V	Float	All Off	Hold this state for ≤ 25 ms. SW8 waiting for zero current to turn off.	Open	Open	Closed	Open
5 V	0 V	5 V	Float	All Off	Zero current has occurred and SW8 has opened.	Open	Open	Open	Open
0 V	0 V	0 V	Float	Idle/Talk	Release break switches.	Closed	Open	Open	Open

Notes:

Break-before-make operation can be achieved using TSD as an input. In lines two and three of Table 14, instead of using the logic input pins to force the all OFF state, force TSD to ground. This will override the logic inputs and also force the all OFF state. Hold this state for 25 ms. During this 25 ms all OFF state, toggle the inputs from 10 (ringing state) to 00 (idle/talk state). After 25 ms, release TSD to return switch control to the input pins which will set the idle talk state.

When using the L7583A/B/C/D in this mode, forcing TSD to ground will override the INPUT pins and force an all OFF state. Setting TSD to 5 V will allow switch control via the logic INPUT pins. However, setting TSD to 5 V will also disable the thermal shutdown mechanism. This is not recommended. Therefore, to allow switch control via the logic INPUT pins, allow TSD to float.

Thus, when using TSD as an input, the two recommended states are 0 (overrides logic input pins and forces all OFF state) and float (allows switch control via logic input pins and thermal shutdown mechanism is active). This may require use of an open-collector buffer.

Also note that TSD operation in L7583 is different than TSD operation of the L7581, where application of 5 V does not disable the thermal shutdown mechanism.

Power Supplies

Both the 5 V and battery supply are brought onto the L7583. The L7583 requires only the 5 V supply for switch operation; that is, state control is powered exclusively off of the 5 V supply. Because of this, the L7583 offers extremely low power dissipation, both in the idle and active states.

The battery voltage is not used for switch state control. The battery is used as a reference voltage by the integrated secondary protection circuit. When the voltage at TBAT or RBAT drops 2 V to 4 V below the battery, the integrated SCR will trigger, thus preventing fault-induced overvoltage situations at the TBAT/RBAT nodes.

Loss of Battery Voltage

As an additional protection feature, the L7583 monitors the battery voltage. Upon loss of battery voltage, the L7583 will automatically enter an all OFF state and remain in that state until the battery voltage is restored.

The L7583 is designed such that the device will enter the all OFF state if the battery rises above -10 V and will remain off until the battery drops below -15 V.

Monitoring the battery for the automatic shutdown feature will draw a small current from the battery, typically $4 \mu\text{A}$. This will add slightly to the overall power dissipation of the device.

Impulse Noise

Using the L7583 will minimize and possibly eliminate the contribution to the overall system impulse noise that is associated with ringing access switches. Because of this characteristic of the L7583, it may not be necessary to incorporate a zero cross switching scheme. This ultimately depends upon the characteristics of the individual system and is best evaluated at the board level.

Protection

Integrated SLIC Protection

Diode Bridge/SCR

In the L7583A_{xx} and the L7583C_{xx} versions, protection to the SLIC device or other subsequent circuitry is provided by a combination of current-limited break switches, a diode bridge/SCR clamping circuit, and a thermal shutdown mechanism. In the L7583B_{xx} and the L7583D_{xx} versions, protection to the SLIC device or other subsequent circuitry is provided by a combination of current-limited break switches, a diode bridge, and a thermal shutdown mechanism.

In both protection versions, during a positive lightning event, fault current is directed to ground via steering diodes in the diode bridge. Voltage is clamped to a diode drop above ground. In the A version, negative lightning causes the SCR to conduct when the voltage goes 2 V to 4 V more negative than the battery. Fault currents are then directed to ground via the SCR and steering diodes in the diode bridge.

Note that for the SCR to foldback or crowbar, the ON voltage (see Table 14) of the SCR must be less negative than the battery reference voltage. If the battery voltage is less negative than the SCR ON voltage, the SCR will conduct fault currents to ground; however, it will not crowbar.

In the B/D version, negative lightning is directed to battery via steering diodes in the diode bridge.

For power cross and power induction faults, in both protection versions, the positive cycle of the fault is clamped a diode drop above ground and fault currents steered to ground. In the A/C version, the negative cycle will cause the SCR to trigger when the voltage exceeds the battery reference voltage by 2 V to 4 V. When the SCR triggers, fault current is steered to ground. In the B/D version, the negative cycle of the power cross is steered to battery.

Current Limiting

During a lightning event, the current that is passed through the break switches and presented to the integrated protection circuit and subsequent circuitry is limited by the dynamic current-limit response of the break switches (assuming idle/talk state). When the voltage seen at the T_{LINE}/R_{LINE} nodes is properly clamped by an external secondary protector, upon application of a 1000 V, 10 x 1000 pulse (LSSGR lightning), the current seen at the T_{BAT}/R_{BAT} nodes will typically be a pulse of magnitude 2.5 A and duration less than 0.5 μ s.

During a power cross event, the current that is passed through the break switches and presented to the integrated protection circuit and subsequent circuitry is limited by the dc current-limit response of the break switches (assuming idle/talk state). The dc current limit is specified over temperature between 100 mA and 250 mA. Note that the current-limit circuitry has a negative temperature coefficient. Thus, if the device is subjected to an extended power cross, the value of current seen at T_{BAT}/R_{BAT} will decrease as the device heats due to the fault current. If sufficient heating occurs, the temperature shutdown mechanism will activate and the device will enter an all off mode.

Temperature Shutdown Mechanism

When the device temperature reaches a minimum of 110 °C, the thermal shutdown mechanism will activate and force the device into an all OFF state, regardless of the logic input pins. Pin T_{SD}, when used as an output, will read 0 V when the device is in the thermal shutdown mode and +V_{DD} during normal operation.

During a lightning event, due to the relatively short duration, the thermal shutdown will not typically activate.

During an extended power cross, the device temperature will rise and cause the device to enter the thermal shutdown mode. This forces an all off mode, and the current seen at T_{BAT}/R_{BAT} drops to zero. Once in the thermal shutdown mode, the device will cool and exit the thermal shutdown mode, thus reentering the state it was in prior to thermal shutdown. Current, limited to the dc current-limit value, will again begin to flow and device heating will begin again. This cycle of entering and exiting thermal shutdown will last as long as the power cross fault is present. The frequency of entering and exiting thermal shutdown will depend on the magnitude of the power cross. If the magnitude of the power cross is great enough, the external secondary protector may trigger shunting all current to ground.

In the L7583, the thermal shutdown mechanism can be disabled by forcing the T_{SD} pin to +V_{DD}. This functionality is different from the L7581, whose thermal shutdown mechanism cannot be disabled.

Electrical specifications relating to the integrated over-voltage clamping circuit are outlined in Table 15.

Protection (continued)

Integrated SLIC Protection (continued)

External Secondary Protector

With the above integrated protection features, only one overvoltage secondary protection device on the loop side of the L7583 is required. The purpose of this device is to limit fault voltages seen by the L7583 so as not to exceed the breakdown voltage or input-output isolation rating of the device. To minimize stress on the L7583, use of a foldback- or crowbar-type device is recommended. A detailed explanation and design equations on the choice of the external secondary protection device are given in the *An Introduction to L758X Series of Line Card Access Switches* Application Note. Basic design equations governing the choice of external secondary protector are given below.

- $|V_{BATmax}| + |V_{breakovermax}| < |V_{breakdownmin(break)}|$
- $|V_{ringingpeakmax}| + |V_{BATmax}| + |V_{breakovermax}| < |V_{breakdownmin(ring)}|$
- $|V_{ringingpeakmax}| + |V_{BATmax}| < |V_{breakovermin}|$

where:

V_{BATmax} —Maximum magnitude of battery voltage.

$V_{breakovermax}$ —Maximum magnitude breakover voltage of external secondary protector.

$V_{breakovermin}$ —Minimum magnitude breakover voltage of external secondary protector.

$V_{breakdownmin(break)}$ —Minimum magnitude breakdown voltage of L7583 break switch.

$V_{breakdownmin(ring)}$ —Minimum magnitude breakdown voltage of L7583 ring access switch.

$V_{ringingpeakmax}$ —Maximum magnitude peak voltage of ringing signal.

Series current-limiting fused resistors or PTCs should be chosen so as not to exceed the current rating of the external secondary protector. Refer to the manufacturer's data sheet for requirements.

Table 15. Electrical Specifications, Protection Circuitry

Parameters Related to Diodes (in Diode Bridge)						
Parameter	Test Condition	Measure	Min	Typ	Max	Unit
Voltage Drop @ Continuous Current (50 Hz/60 Hz)	Apply \pm dc current limit of break switches	Forward Voltage	—	—	3	V
Voltage Drop @ Surge Current	Apply \pm dynamic current limit of break switches	Forward Voltage	—	5	—	V
Parameters Related to Protection SCR						
Surge Current	—	—	—	—	‡	A
Gate Trigger Current*†	—	—	—	25	50	mA
Gate Trigger Current† Temperature Coefficient	—	—	—	-0.5	—	%/°C
Hold Current	—	—	70	—	—	mA
Gate Trigger Voltage	Trigger current	—	$V_{BAT} - 4$	—	$V_{BAT} - 2$	V
Reverse Leakage Current	V_{BAT}	—	—	—	1.0	μ A
ON-State Voltage§	0.5 A, t = 0.5 μ s	V_{ON}	—	-3	—	V
	2.0 A, t = 0.5 μ s	—	—	-5	—	V

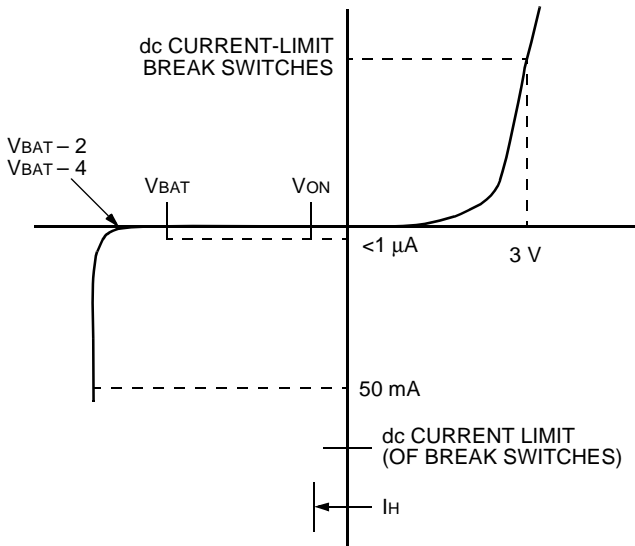
* Previous versions of this data sheet specified a Trigger Current of 50 mA minimum. Trigger Current is defined as the minimum current drawn from tip and ring to turn on the SCR. The specification in this data sheet is Gate Trigger Current, which is defined as the maximum current that can flow into the battery before the SCR turns on.

† Typical at 25 °C.

‡ Twice \pm dynamic current limit of break switches.

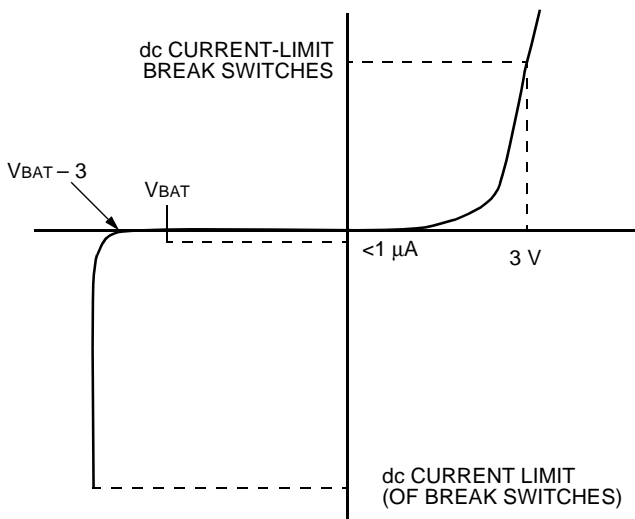
§ In some instances, the typical ON-state voltage can range as low as -25 V.

Typical Performance Characteristics



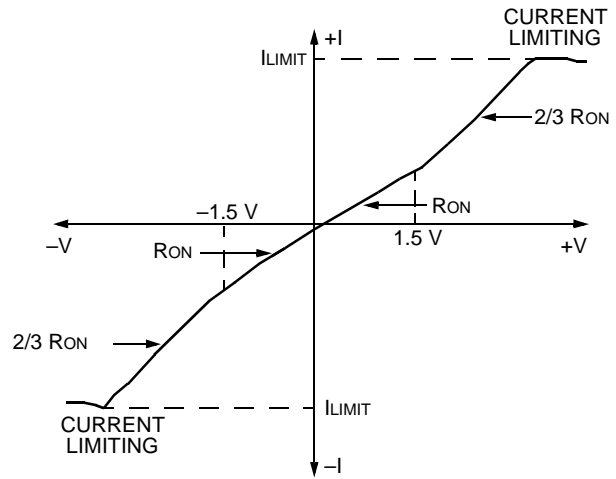
12-2309.f (F)

Figure 3. Protection Circuit A/C Version



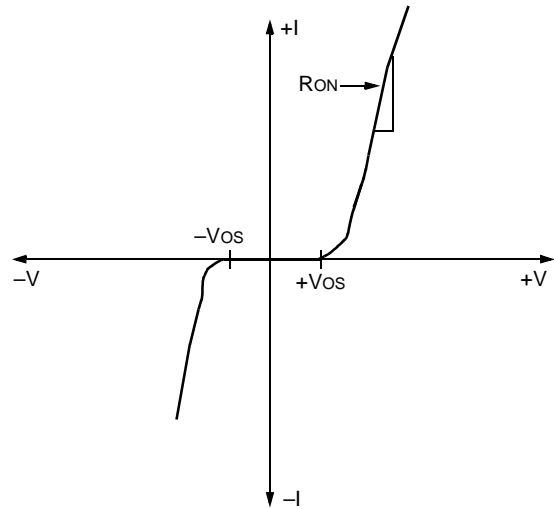
12-2309.b (F)

Figure 4. Protection Circuit B/D Version



12-2311 (F)

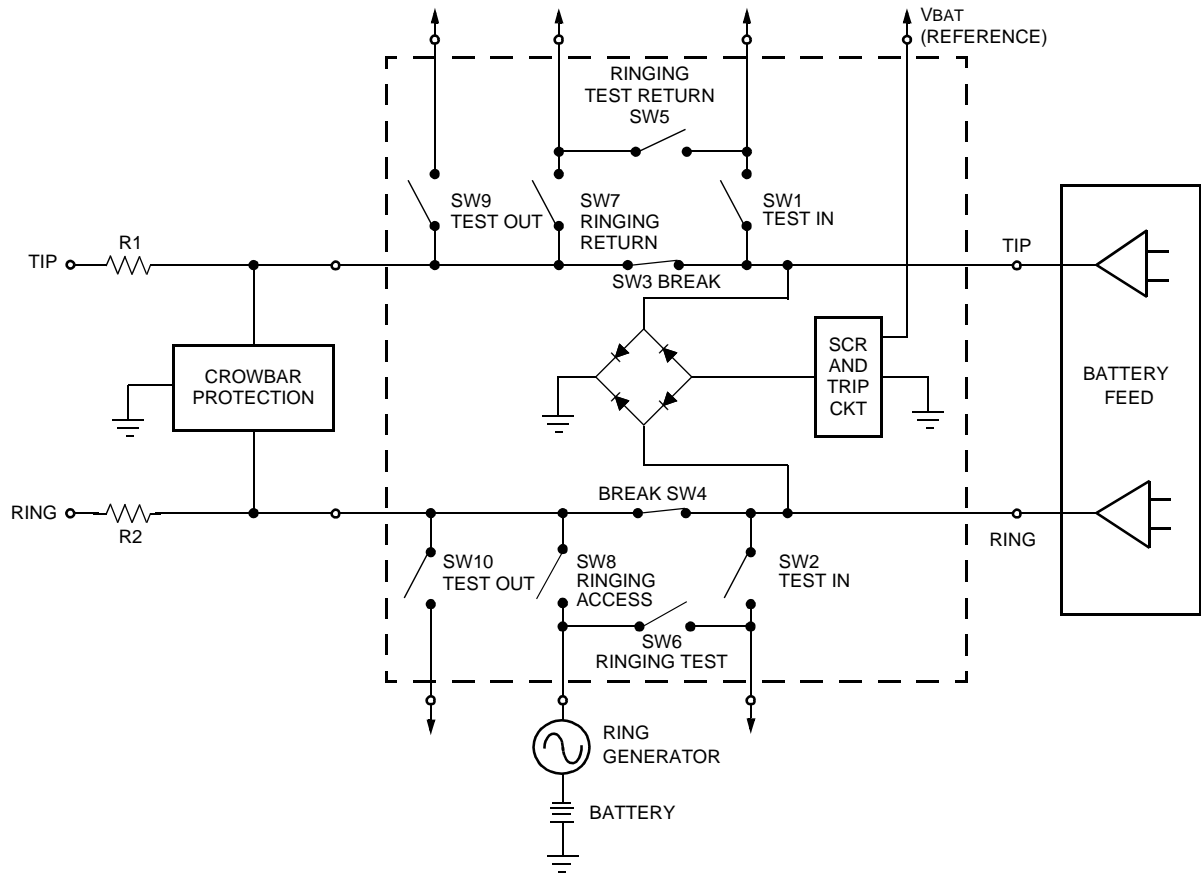
Figure 5. Switches 1—5, 7, 9, 10



12-2312 (F)

Figure 6. Switches 6, 8

Application



12-2366.d (F)

Figure 7. Typical LCAS Application, Idle, or Talk State Shown (A/C-Type Internal Protection Shown)

Application (continued)**Table 16. Truth Table for L7583A/B**

INRING	INTESTin	INTESTout	TSD	TESTin Switches	Break Switches	Ring Test Switches	Ring Switches	TESTout Switches
0 V	0 V	0 V	5 V/Float ¹	Off	On	Off	Off	Off ³
0 V	0 V	5 V	5 V/Float ¹	Off	Off	Off	Off	On ⁴
0 V	5 V	0 V	5 V/Float ¹	On	Off	Off	Off	Off ⁵
5 V	0 V	0 V	5 V/Float ¹	Off	Off	Off	On	Off ⁶
5 V	5 V	0 V	5 V/Float ¹	Off	Off	On	Off	Off ⁷
0 V	5 V	5 V	5 V/Float ¹	On	Off	Off	Off	On ⁸
5 V	0 V	5 V	5 V/Float ¹	Off	Off	Off	Off	Off ⁹
5 V	5 V	5 V	5 V/Float ¹	Off	Off	Off	Off	Off ⁹
Don't Care	Don't Care	Don't Care	0 V ²	Off	Off	Off	Off	Off ⁹

1. If TSD = 5 V, the thermal shutdown mechanism is disabled. If TSD is floating, the thermal shutdown mechanism is active.
2. Forcing TSD to ground overrides the logic input pins and forces an all OFF state.
3. Idle/Talk state.
4. TESTout state.
5. TESTin state
6. Power ringing state.
7. Ringing generator test state.
8. Simultaneous TESTout and TESTin state.
9. All OFF state.

A parallel in/parallel out data latch is integrated into the L7583A/B. Operation of the data latch is controlled by the logic level input pin LATCH. The data input to the latch is the INPUT pin of the L7583A/B, and the output of the data latch is an internal node used for state control.

When the LATCH control pin is at logic 0, the data latch is transparent and data control signals flow directly from INPUT, through the data latch to state control. Any changes in INPUT will be reflected in the state of the switches.

When the LATCH control pin is at logic 1, the data latch is active—the L7583A/B will no longer react to changes at the INPUT control pin. The state of the switches is now latched; that is, the state of the switches will remain as they were when the LATCH input transitioned from logic 0 to logic 1. The switches will not respond to changes in INPUT as long as LATCH is held high.

Note that the TSD input is not tied to the data latch. TSD is not affected by the LATCH input. TSD input will override state control via INPUT and LATCH.

Application (continued)

Table 17. Truth Table for L7583C/D

INRING	INTESTin	INTESTout	TSD	TESTin Switches	Break Switches	Ring Test Switches	Ring Switches	TESTout Switches
0 V	0 V	0 V	5 V/Float ¹	Off	On	Off	Off	Off ³
0 V	0 V	5 V	5 V/Float ¹	Off	Off	Off	Off	On ⁴
0 V	5 V	0 V	5 V/Float ¹	On	Off	Off	Off	Off ⁵
5 V	0 V	0 V	5 V/Float ¹	Off	Off	Off	On	Off ⁶
5 V	5 V	0 V	5 V/Float ¹	Off	Off	On	Off	Off ⁷
0 V	5 V	5 V	5 V/Float ¹	On	Off	Off	Off	On ⁸
5 V	0 V	5 V	5 V/Float ¹	Off	Off	Off	Off	Off ⁹
5 V	5 V	5 V	5 V/Float ¹	Off	Off	On	Off	On ¹⁰
Don't Care	Don't Care	Don't Care	0 V ²	Off	Off	Off	Off	Off ⁹

1. If TSD = 5 V, the thermal shutdown mechanism is disabled. If TSD is floating, the thermal shutdown mechanism is active.
2. Forcing TSD to ground overrides the logic input pins and forces an all OFF state.
3. Idle/Talk state.
4. TESTout state.
5. TESTin state.
6. Power ringing state.
7. Ringing generator test state.
8. Simultaneous TESTout and TESTin state.
9. All OFF state.
10. Simultaneous TESTout—Ring Test state.

A parallel in/parallel out data latch is integrated into the L7583C/D. Operation of the data latch is controlled by the logic level input pin LATCH. The data input to the latch is the INPUT pin of the L7583C/D and the output of the data latch is an internal node used for state control.

When the LATCH control pin is at logic 0, the data latch is transparent and data control signals flow directly from INPUT, through the data latch to state control. Any changes in INPUT will be reflected in the state of the switches.

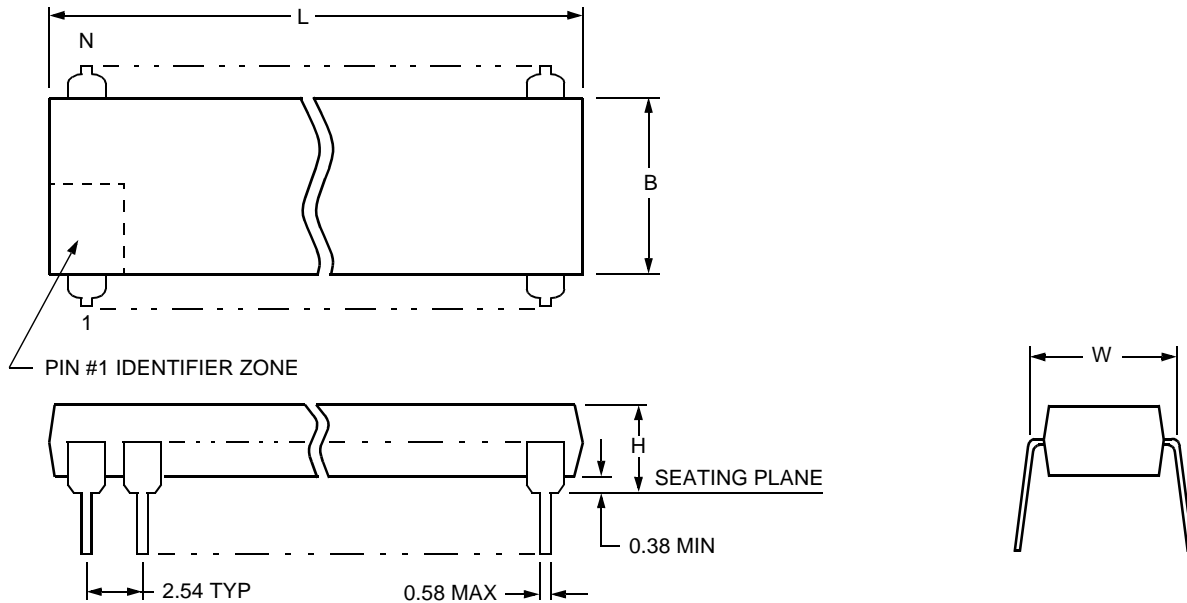
When the LATCH control pin is at logic 1, the data latch is active; the L7583C/D will no longer react to changes at the INPUT control pin. The state of the switches is now latched; that is, the state of the switches will remain as they were when the LATCH input transitioned from logic 0 to logic 1. The switches will not respond to changes in INPUT as long as LATCH is held high.

Note that the TSD input is not tied to the data latch. TSD is not affected by the LATCH input. TSD input will override state control via INPUT and LATCH.

Outline Diagrams

24-Pin, Plastic DIP (600 mil)

Note: The dimensions in this outline diagram are intended for informational purposes only. For detailed schematics to assist your design efforts, please contact your Lucent Technologies Sales Representative.



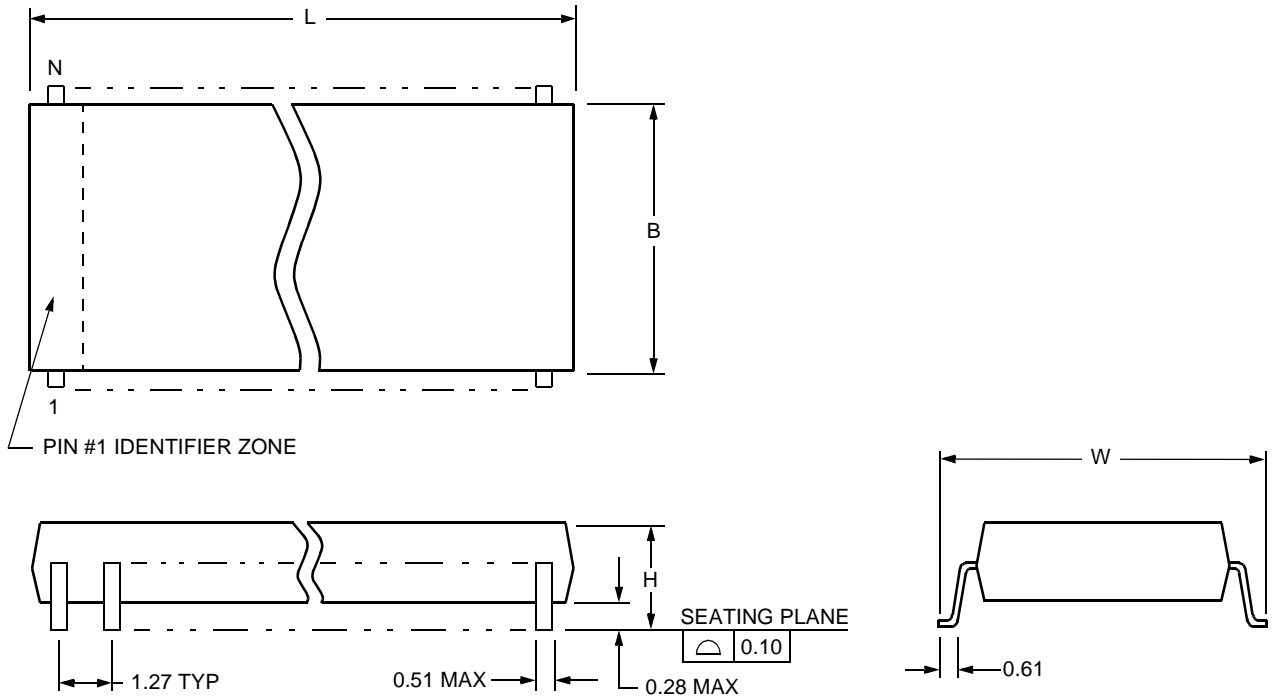
Number of Pins (N)	Maximum Length (L)	Maximum Width Without Leads (B)	Maximum Width Including Leads (W)	Maximum Height Above Board (H)
24	32.26	13.97	15.49	5.49

5-4410 (F)

Outline Diagrams (continued)

28-Pin, Plastic SOG

Note: The dimensions in this outline diagram are intended for informational purposes only. For detailed schematics to assist your design efforts, please contact your Lucent Technologies Sales Representative.



Number of Pins (N)	Maximum Length (L)	Maximum Width Without Leads (B)	Maximum Width Including Leads (W)	Maximum Height Above Board (H)
28	18.11	7.62	10.64	2.67

5-4414 (F)

Ordering Information

Device Part No.	Description	Package	Comcode
ATTL7583AAJ -D	Line Card Access Switch	28-Pin SOG (Dry-bagged)	107338626
ATTL7583AAJ-DT*	Line Card Access Switch	28-Pin SOG (Tape & Reel, Dry-bagged)	107338659
ATTL7583AF	Line Card Access Switch	24-Pin DIP	107338592
ATTL7583BAJ-D	Line Card Access Switch	28-Pin SOG (Dry-bagged)	107394355
ATTL7583BAJ-DT*	Line Card Access Switch	28-Pin SOG (Tape & Reel, Dry-bagged)	107411563
ATTL7583BF	Line Card Access Switch	24-Pin DIP	107394306
ATTL7583CAJ-D	Line Card Access Switch	28-Pin SOG (Dry-bagged)	107602229
ATTL7583CAJ-DT*	Line Card Access Switch	28-Pin SOG (Tape & Reel, Dry-bagged)	107602245
ATTL7583CF	Line Card Access Switch	24-Pin DIP	107602278
ATTL7583DAJ-D	Line Card Access Switch	28-Pin SOG (Dry-bagged)	107602328
ATTL7583DAJ-DT*	Line Card Access Switch	28-Pin SOG (Tape & Reel, Dry-bagged)	107602344
ATTL7583DF	Line Card Access Switch	24-Pin DIP	107602377

*Devices on tape and reel must be ordered in 1000-piece increments.

For additional information, contact your Microelectronics Group Account Manager or the following:

INTERNET: <http://www.lucent.com/micro>

E-MAIL: docmaster@micro.lucent.com

N. AMERICA: Microelectronics Group, Lucent Technologies Inc., 555 Union Boulevard, Room 30L-15P-BA, Allentown, PA 18109-3286
1-800-372-2447, FAX 610-712-4106 (In CANADA: 1-800-553-2448, FAX 610-712-4106)

ASIA PACIFIC: Microelectronics Group, Lucent Technologies Singapore Pte. Ltd., 77 Science Park Drive, #03-18 Cintech III, Singapore 118256
Tel. (65) 778 8833, FAX (65) 777 7495

CHINA: Microelectronics Group, Lucent Technologies (China) Co., Ltd., A-F2, 23/F, Zao Fong Universe Building, 1800 Zhong Shan Xi Road, Shanghai 200233 P. R. China Tel. (86) 21 6440 0468, ext. 325, FAX (86) 21 6440 0652

JAPAN: Microelectronics Group, Lucent Technologies Japan Ltd., 7-18, Higashi-Gotanda 2-chome, Shinagawa-ku, Tokyo 141, Japan
Tel. (81) 3 5421 1600, FAX (81) 3 5421 1700

EUROPE: Data Requests: MICROELECTRONICS GROUP DATALINE: Tel. (44) 7000 582 368, FAX (44) 1189 328 148

Technical Inquiries: GERMANY: (49) 89 95086 0 (Munich), UNITED KINGDOM: (44) 1344 865 900 (Ascot),
FRANCE: (33) 1 40 83 68 00 (Paris), SWEDEN: (46) 8 594 607 00 (Stockholm), FINLAND: (358) 9 3507670 (Helsinki),
ITALY: (39) 02 6608131 (Milan), SPAIN: (34) 1 807 1441 (Madrid)

Lucent Technologies Inc. reserves the right to make changes to the product(s) or information contained herein without notice. No liability is assumed as a result of their use or application. No rights under any patent accompany the sale of any such product(s) or information.

