

# LTM4614

## Dual 4A per Channel Low $V_{IN}$ DC/DC $\mu$ Module Regulator

### FEATURES

- Dual 4A Output Power Supply
- Input Voltage Range: 2.375V to 5.5V
- 4A DC Typical, 5A Peak Output Current Each
- 0.8V Up to 5V Output Each, Parallelable
- $\pm 2\%$  Total DC Output Error ( $0^{\circ}\text{C} \leq T_J \leq 125^{\circ}\text{C}$ )
- Output Voltage Tracking
- Up to 95% Efficiency
- Programmable Soft-Start
- Short-Circuit and Overtemperature Protection
- Power Good Indicators
- Small and Very Low Profile Package:  
15mm  $\times$  15mm  $\times$  2.82mm

### APPLICATIONS

- Telecom and Networking Equipment
- FPGA Power
- SERDES and Other Low Noise Applications

LT, LT, LTC, LTM,  $\mu$ Module, Linear Technology and the Linear logo are registered trademarks of Linear Technology Corporation. All other trademarks are the property of their respective owners. Protected by U.S. Patents including 5481178, 6580258, 6304066, 6127815, 6498466, 6611131, 6724174.

### DESCRIPTION

The LTM<sup>®</sup>4614 is a complete 4A dual output switching mode DC/DC power supply. Included in the package are the switching controllers, power FETs, inductors and all support components. The dual 4A DC/DC converters operate over an input voltage range of 2.375V to 5.5V. The LTM4614 supports output voltages ranging from 0.8V to 5V. The regulator output voltages are set by a single resistor for each output. Only bulk input and output capacitors are needed to complete the design.

The low profile package (2.82mm) enables utilization of unused space on the bottom of PC boards for high density point of load regulation.

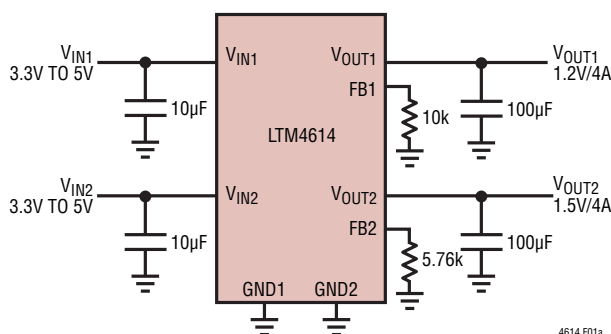
Additional features include overvoltage protection, foldback overcurrent protection, thermal shutdown and programmable soft-start. The power module is offered in a space saving and thermally enhanced 15mm  $\times$  15mm  $\times$  2.82mm LGA package. The LTM4614 is Pb-free and RoHS compliant.

#### Different Combinations of Input and Output Voltages

NUMBER OF INPUTS	NUMBER OF OUTPUTS	$I_{OUT(MAX)}$
2	2	4A, 4A
2 (Current Share, Ex. 3.3V and 5V)	1	8A
1	2	4A, 4A
1	1	8A, see LTM4608A

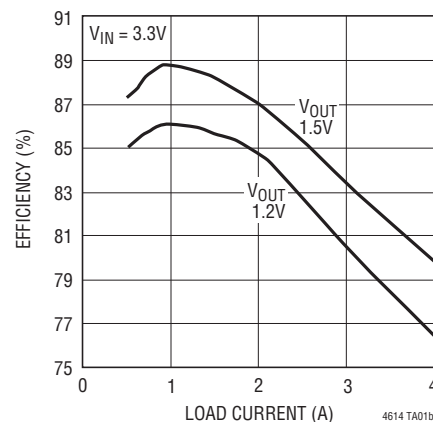
### TYPICAL APPLICATION

Dual Output 4A DC/DC  $\mu$ Module<sup>®</sup> Regulator



4614 F01a

Efficiency vs Output Current



4614 TA01b

4614fa

## ABSOLUTE MAXIMUM RATINGS

(Note 1)

$V_{IN1}$ ,  $V_{IN2}$ , PGOOD1, PGOOD2 ..... -0.3V to 6V  
 COMP1, COMP2, RUN/SS1, RUN/SS2  
 FB1, FB2, TRACK1, TRACK2 ..... -0.3V to  $V_{IN}$   
 SW1, SW2,  $V_{OUT1}$ ,  $V_{OUT2}$  ..... -0.3V to ( $V_{IN} + 0.3V$ )

Internal Operating Temperature Range

(Note 2) ..... -40°C to 125°C

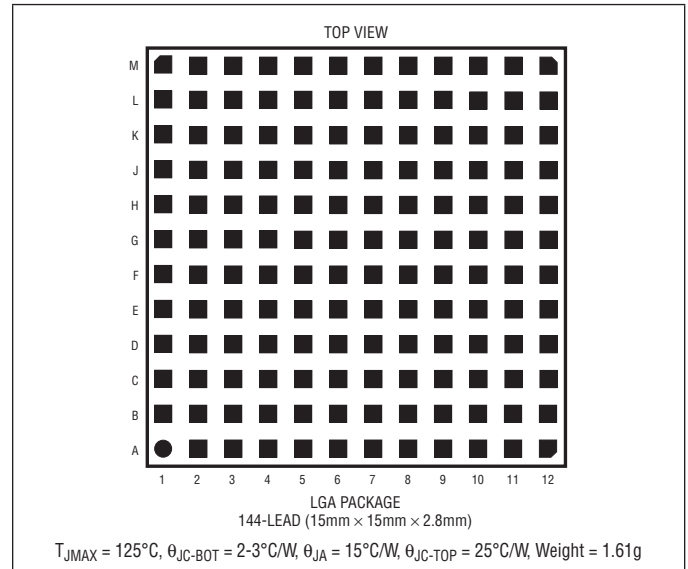
Junction Temperature ..... 125°C

Storage Temperature Range ..... -55°C to 125°C

Body Temperature, Solder Reflow (Note 3) ..... 245°C

## PIN CONFIGURATION

(See Pin Functions, Pin Configuration Table)



## ORDER INFORMATION

LEAD FREE FINISH	TRAY	PART MARKING*	PACKAGE DESCRIPTION	TEMPERATURE RANGE
LTM4614EV#PBF	LTM4614EV#PBF	LTM4614V	144-Lead (15mm × 15mm × 2.8mm) LGA	-40°C to 125°C
LTM4614IV#PBF	LTM4614IV#PBF	LTM4614V	144-Lead (15mm × 15mm × 2.8mm) LGA	-40°C to 125°C

Consult LTC Marketing for parts specified with wider operating temperature ranges. \*The temperature grade is identified by a label on the shipping container.

For more information on lead free part marking, go to: <http://www.linear.com/leadfree/>

This product is only offered in trays. For more information go to: <http://www.linear.com/packaging/>

## ELECTRICAL CHARACTERISTICS

The ● denotes the specifications which apply over the full internal operating temperature range, otherwise specifications are at  $T_A = 25^\circ\text{C}$ .  $V_{IN} = 5V$  unless otherwise noted. Refer to Figure 1. Specified as each channel (Note 6).

SYMBOL	PARAMETER	CONDITIONS	MIN	TYP	MAX	UNITS
$V_{IN(DC)}$	Input DC Voltage		● 2.375		5.5	V
$V_{OUT(DC)}$	Output Voltage	$C_{IN} = 22\mu\text{F}$ , $C_{OUT} = 100\mu\text{F}$ , $R_{FB} = 5.76k$ $V_{IN} = 2.375V$ to $5.5V$ , $I_{OUT} = 0A$ to $4A$ (Note 5) $0^\circ\text{C} \leq T_J \leq 125^\circ\text{C}$	● 1.460 1.45	1.49 1.49	1.508 1.512	V V
$V_{IN(UVLO)}$	Undervoltage Lockout Threshold	$I_{OUT} = 0A$	1.6	2	2.3	V
$I_{INRUSH(VIN)}$	Input Inrush Current at Start-Up	$I_{OUT} = 0A$ , $C_{IN} = 22\mu\text{F}$ , $C_{OUT} = 100\mu\text{F}$ , $V_{OUT} = 1.5V$ $V_{IN} = 5.5V$		0.35		A
$I_Q(VIN)$	Input Supply Bias Current	$V_{IN} = 2.375V$ , $V_{OUT} = 1.5V$ , Switching Continuous $V_{IN} = 5.5V$ , $V_{OUT} = 1.5V$ , Switching Continuous Shutdown, RUN = 0, $V_{IN} = 5V$		20 35 7	12	mA mA $\mu\text{A}$
$I_S(VIN)$	Input Supply Current	$V_{IN} = 2.375V$ , $V_{OUT} = 1.5V$ , $I_{OUT} = 4A$ $V_{IN} = 5.5V$ , $V_{OUT} = 1.5V$ , $I_{OUT} = 4A$		3.15 1.35		A A

## ELECTRICAL CHARACTERISTICS

The ● denotes the specifications which apply over the full internal operating temperature range, otherwise specifications are at  $T_A = 25^\circ\text{C}$ .  $V_{IN} = 5\text{V}$  unless otherwise noted. Refer to Figure 1. Specified as each channel (Note 6).

SYMBOL	PARAMETER	CONDITIONS	MIN	TYP	MAX	UNITS
$I_{OUT(DC)}$	Output Continuous Current Range	$V_{IN} = 3.3\text{V}$ , $V_{OUT} = 1.5\text{V}$ (Note 5)	0		4	A
$\frac{\Delta V_{OUT(LINE)}}{V_{OUT}}$	Line Regulation Accuracy	$V_{OUT} = 1.5\text{V}$ , $V_{IN}$ from 2.375V to 5.5V, $I_{OUT} = 0\text{A}$	●	0.1	0.3	%
$\frac{\Delta V_{OUT(LOAD)}}{V_{OUT}}$	Load Regulation Accuracy	$V_{OUT} = 1.5\text{V}$ , 0A to 4A (Note 5), $V_{IN} = 2.375\text{V}$ to 5.5V $0^\circ\text{C} \leq T_J \leq 125^\circ\text{C}$	●	0.7 1.2	1.25 1.5	% %
$V_{OUT(AC)}$	Output Ripple Voltage	$I_{OUT} = 0\text{A}$ , $C_{OUT} = 100\mu\text{F}$ (X5R) $V_{IN} = 5\text{V}$ , $V_{OUT} = 1.5\text{V}$		12		mV <sub>P-P</sub>
$f_s$	Output Ripple Voltage Frequency	$I_{OUT} = 4\text{A}$ , $V_{IN} = 5\text{V}$ , $V_{OUT} = 1.5\text{V}$		1.25		MHz
$\Delta V_{OUT(START)}$	Turn-On Overshoot	$C_{OUT} = 100\mu\text{F}$ , $V_{OUT} = 1.5\text{V}$ , RUN/SS = 10nF, $I_{OUT} = 0\text{A}$ $V_{IN} = 3.3\text{V}$ $V_{IN} = 5\text{V}$		20 20		mV mV
$t_{START}$	Turn-On Time	$C_{OUT} = 100\mu\text{F}$ , $V_{OUT} = 1.5\text{V}$ , $I_{OUT} = 1\text{A}$ Resistive Load, TRACK = $V_{IN}$ and RUN/SS = Float $V_{IN} = 5\text{V}$		0.5		ms
$\Delta V_{OUT(LS)}$	Peak Deviation for Dynamic Load	Load: 0% to 50% to 0% of Full Load, $C_{OUT} = 100\mu\text{F}$ , $V_{IN} = 5\text{V}$ , $V_{OUT} = 1.5\text{V}$		25		mV
$t_{SETTLE}$	Settling Time for Dynamic Load Step	Load: 0% to 50% to 0% of Full Load, $V_{IN} = 5\text{V}$ , $V_{OUT} = 1.5\text{V}$		10		$\mu\text{s}$
$I_{OUT(PK)}$	Output Current Limit	$C_{OUT} = 100\mu\text{F}$ $V_{IN} = 5\text{V}$ , $V_{OUT} = 1.5\text{V}$		8		A
$V_{FB}$	Voltage at FB Pin	$I_{OUT} = 0\text{A}$ , $V_{OUT} = 1.5\text{V}$	● 0.792 0.788	0.8 0.8	0.808 0.810	V V
$I_{FB}$				0.2		$\mu\text{A}$
$V_{RUN}$	RUN Pin On/Off Threshold		0.6	0.75	0.9	V
$I_{TRACK}$	TRACK Pin Current			0.2		$\mu\text{A}$
$V_{TRACK(OFFSET)}$	Offset Voltage	TRACK = 0.4V		30		mV
$V_{TRACK(RANGE)}$	Tracking Input Range		0		0.8	V
$R_{FBHI}$	Resistor Between $V_{OUT}$ and FB Pins		4.96	4.99	5.025	k $\Omega$
$\Delta V_{PGOOD}$	PGOOD Range			$\pm 7.5$		%
$R_{PGOOD}$	PGOOD Resistance	Open-Drain Pull-Down		90	150	$\Omega$

**Note 1:** Stresses beyond those listed under Absolute Maximum Ratings may cause permanent damage to the device. Exposure to any Absolute Maximum Rating condition for extended periods may affect device reliability and lifetime.

**Note 2:** The LTM4614E is guaranteed to meet performance specifications over the  $0^\circ\text{C}$  to  $125^\circ\text{C}$  internal operating temperature range. Specifications over the  $-40^\circ\text{C}$  to  $125^\circ\text{C}$  internal operating temperature range are assured by design, characterization and correlation with statistical process controls. The LTM4614I is guaranteed to meet specifications over the full internal operating temperature range. Note that the maximum ambient temperature is determined by specific operating conditions in conjunction with board layout, the rated package thermal resistance and other environmental factors.

**Note 3:** See Application Note 100.

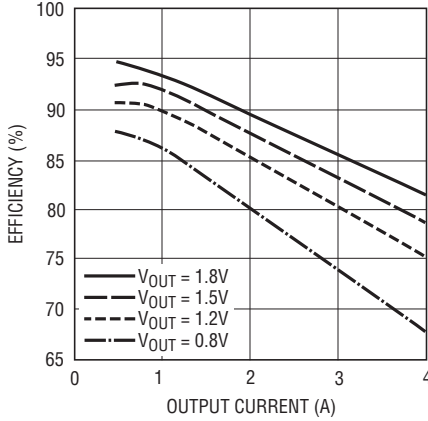
**Note 4:** The IC has overtemperature protection that is intended to protect the device during momentary overload conditions. Junction temperatures will exceed  $125^\circ\text{C}$  when overtemperature is activated. Continuous overtemperature activation can impair long-term reliability.

**Note 5:** See output current derating curves for different  $V_{IN}$ ,  $V_{OUT}$  and  $T_A$ .

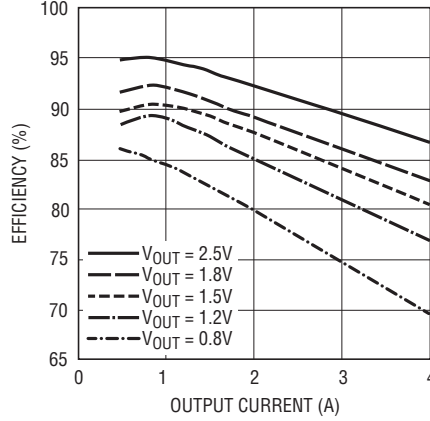
**Note 6:** Two channels are tested separately and the specified test conditions are applied to each channel.

# TYPICAL PERFORMANCE CHARACTERISTICS

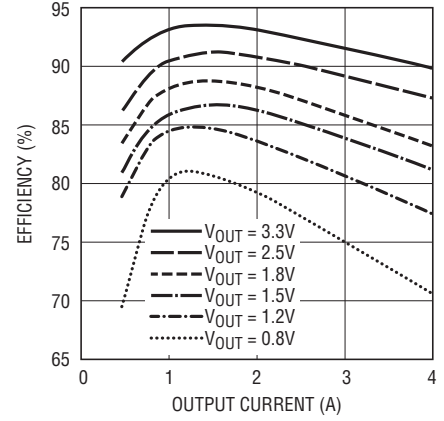
**Efficiency vs Output Current**  
 $V_{IN} = 2.5V$



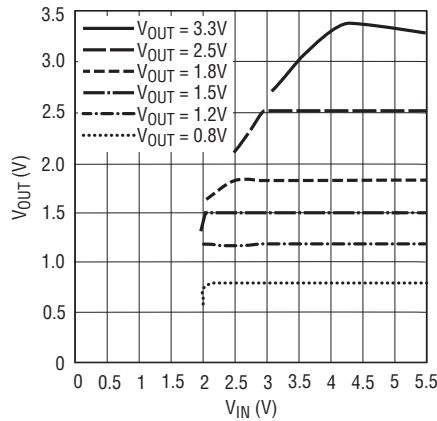
**Efficiency vs Output Current**  
 $V_{IN} = 3.3V$



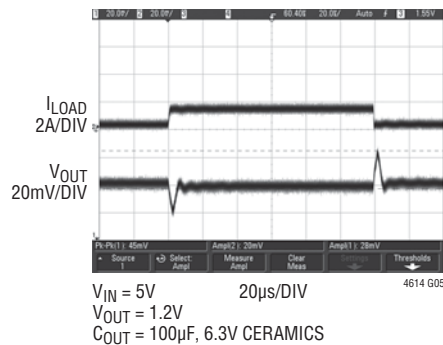
**Efficiency vs Output Current**  
 $V_{IN} = 5V$



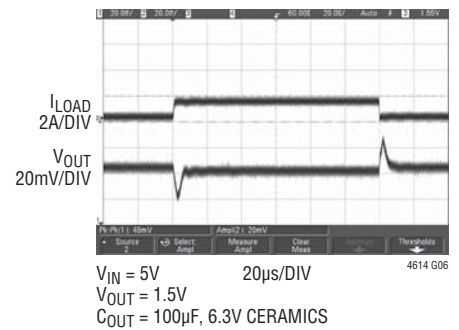
**Minimum Input Voltage at 4A Load**



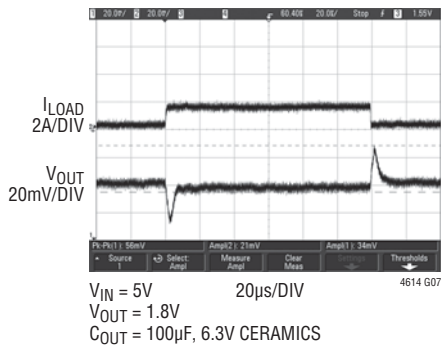
**Load Transient Response**



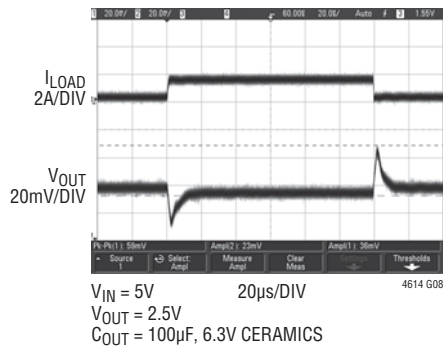
**Load Transient Response**



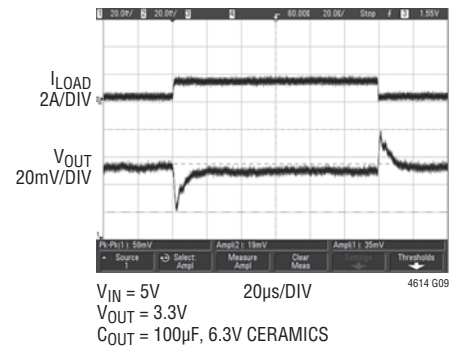
**Load Transient Response**



**Load Transient Response**

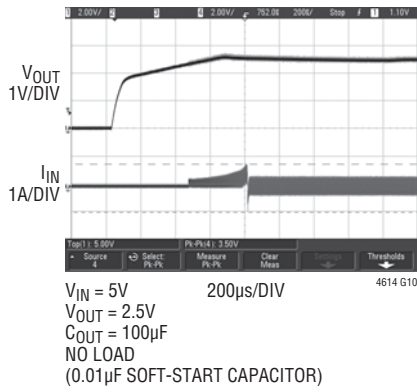


**Load Transient Response**

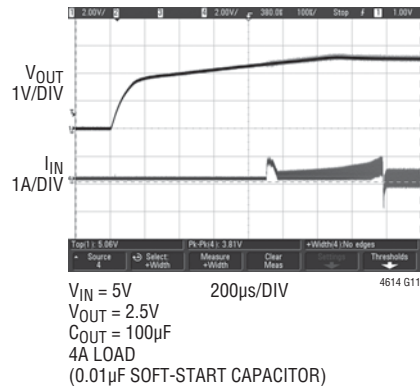


# TYPICAL PERFORMANCE CHARACTERISTICS

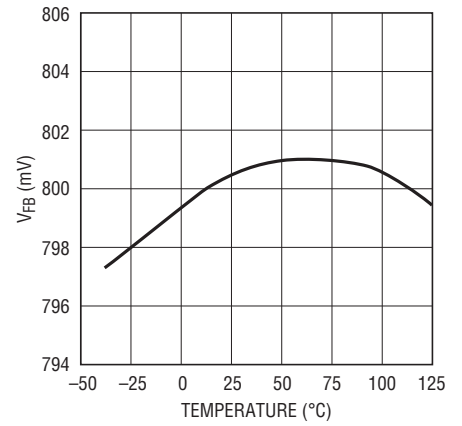
**Start-Up**



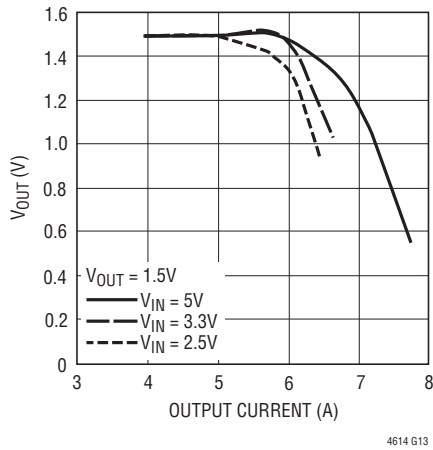
**Start-Up**



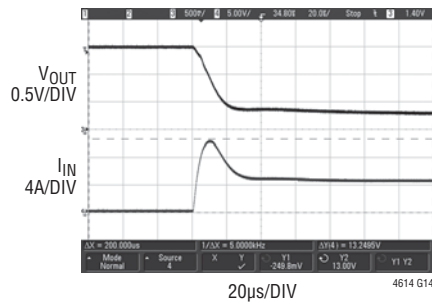
**$V_{FB}$  vs Temperature**



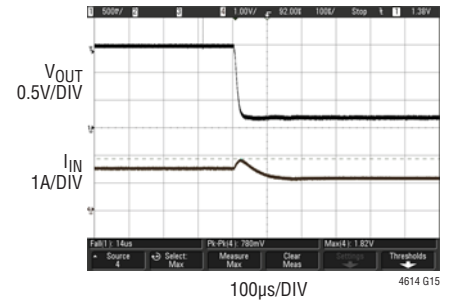
**Current Limit Foldback**



**Short-Circuit Protection  
1.5V Short, No Load**



**Short-Circuit Protection  
1.5V Short, 4A Load**



## PIN FUNCTIONS

**V<sub>IN1</sub>, V<sub>IN2</sub> (J1-J6, K1-K6); (C1-C6, D1-D6):** Power Input Pins. Apply input voltage between these pins and GND pins. Recommend placing input decoupling capacitance directly between V<sub>IN</sub> pins and GND pins.

**V<sub>OUT1</sub>, V<sub>OUT2</sub> (K9-K12, J9-J12, L9-L12, M9-M12); (C9-C12, D9-D12, E9-E12, F9-F12):** Power Output Pins. Apply output load between these pins and GND pins. Recommend placing output decoupling capacitance directly between these pins and GND pins. Review Table 4.

**GND1, GND2, (G1-G12, H1, H7-H12, J7-J8, K7-K8, L1, L7-L8, M1-M8); (A1-A12, B1, B7-B12, C7-C8, D7-D8, E1, E7-E8, F1-F8):** Power Ground Pins for Both Input and Output Returns.

**TRACK1, TRACK2 (L3, E3):** Output Voltage Tracking Pins. When the module is configured as a master output, then a soft-start capacitor is placed on the RUN/SS pin to ground to control the master ramp rate, or an external ramp can be applied to the master regulator's track pin to control it. Slave operation is performed by putting a resistor divider from the master output to the ground, and connecting the center point of the divider to this pin on the slave regulator. If tracking is not desired, then connect the TRACK pin to V<sub>IN</sub>. Load current must be present for tracking. See Applications Information section.

**FB1, FB2 (L6, E6):** The Negative Input of the Switching Regulators' Error Amplifier. Internally, these pins are connected to V<sub>OUT</sub> with a 4.99k precision resistor. Different output voltages can be programmed with an additional resistor between the FB and GND pins. Two power modules can current share when this pin is connected in parallel with the adjacent module's FB pin. See Applications Information section.

**COMP1, COMP2 (L5, E5):** Current Control Threshold and Error Amplifier Compensation Point. The current comparator threshold increases with this control voltage. Two power modules can current share when this pin is connected in parallel with the adjacent module's COMP pin. Each channel has been internally compensated. See Applications Information section.

**PGOOD1, PGOOD2 (L4, E4):** Output Voltage Power Good Indicator. Open-drain logic output that is pulled to ground when the output voltage is not within  $\pm 7.5\%$  of the regulation point.

**RUN/SS1, RUN/SS2 (L2, E2):** Run Control and Soft-Start Pin. A voltage above 0.8V will turn on the module, and below 0.5V will turn off the module. This pin has a 1M resistor to V<sub>IN</sub> and a 1000pF capacitor to GND. See Applications Information section for soft-start information.

**SW1, SW2 (H2-H6, B2-B6):** The switching node of the circuit is used for testing purposes. This can be connected to copper on the board for improved thermal performance.

## SIMPLIFIED BLOCK DIAGRAM

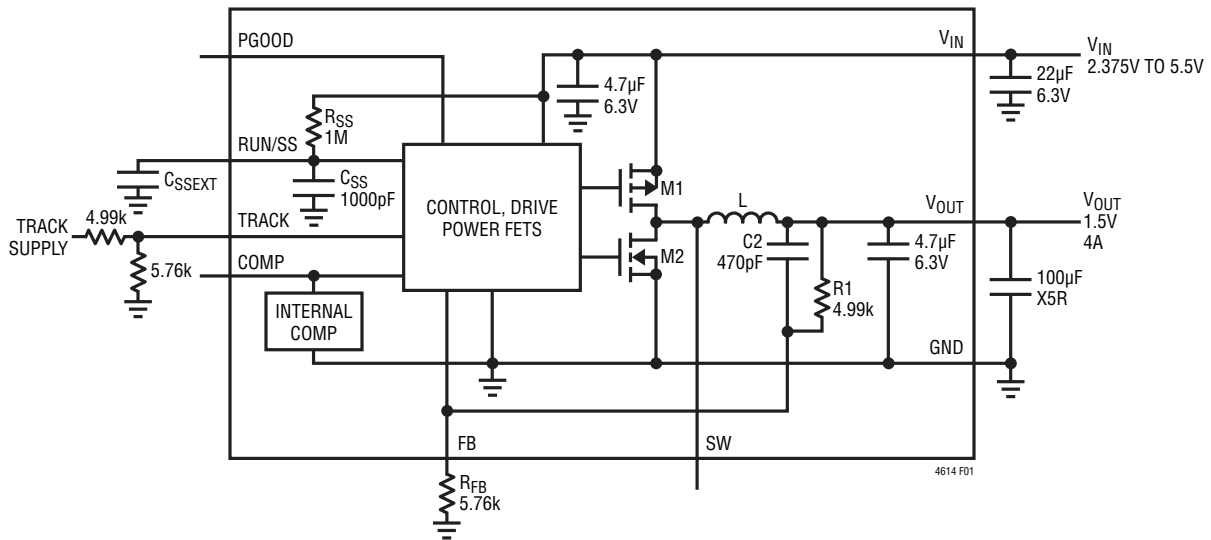


Figure 1. Simplified LTM4614 Block Diagram of Each Switching Regulator Channel

DECOUPLING REQUIREMENTS  $T_A = 25^\circ\text{C}$ . Use Figure 1 configuration for each channel.

SYMBOL	PARAMETER	CONDITIONS	MIN	TYP	MAX	UNITS
$C_{IN}$	External Input Capacitor Requirement ( $V_{IN} = 2.375\text{V}$ to $5.5\text{V}$ , $V_{OUT} = 1.5\text{V}$ )	$I_{OUT} = 4\text{A}$	22			$\mu\text{F}$
$C_{OUT}$	External Output Capacitor Requirement ( $V_{IN} = 2.375\text{V}$ to $5.5\text{V}$ , $V_{OUT} = 1.5\text{V}$ )	$I_{OUT} = 4\text{A}$	66	100		$\mu\text{F}$

## OPERATION

### LTM4614 POWER MODULE DESCRIPTION

The LTM4614 is a standalone dual nonisolated switching mode DC/DC power supply. It can deliver up to 4A of DC output current for each channel with few external input and output capacitors. This module provides two precisely regulated output voltages programmable via one external resistor for each channel from 0.8V DC to 5V DC over a 2.375V to 5.5V input voltage. The typical application schematic is shown in Figure 12.

The LTM4614 has two integrated constant frequency current mode regulators, with built-in power MOSFETs with fast switching speed. The typical switching frequency is 1.25MHz. With current mode control and internal feedback loop compensation, these switching regulators have sufficient stability margins and good transient performance under a wide range of operating conditions, and with a wide range of output capacitors, even all ceramic output capacitors.

Current mode control provides cycle-by-cycle fast current limit. Besides, current limiting is provided in an overcurrent condition with thermal shutdown. In addition, internal overvoltage and undervoltage comparators pull the

open-drain PGOOD outputs low if the particular output feedback voltage exits a  $\pm 7.5\%$  window around the regulation point. Furthermore, in an overvoltage condition, internal top FET, M1, is turned off and bottom FET, M2, is turned on and held on until the overvoltage condition clears, or current limit is exceeded.

Pulling each specific RUN pin below 0.8V forces the specific regulator controller into its shutdown state, turning off both M1 and M2 for each power stage. At low load current, each regulator works in continuous current mode by default to achieve minimum output voltage ripple.

The TRACK/SS pins are used for power supply tracking and soft-start programming for each specific regulator. See Applications Information section.

The LTM4614 is internally compensated to be stable over the operating conditions. Table 4 provides a guideline for input and output capacitance for several operating conditions. The Linear Technology  $\mu$ Module Power Design Tool will be provided for transient and stability analysis.

The FB pins are used to program the specific output voltage with a single resistor to ground.



## APPLICATIONS INFORMATION

### Dual Switching Regulator

A typical LTM4614 application circuit is shown in Figure 12. External component selection is primarily determined by the maximum load current and output voltage. Refer to Table 4 for specific external capacitor requirements for a particular application.

### V<sub>IN</sub> to V<sub>OUT</sub> Step-Down Ratios

There are restrictions in the maximum V<sub>IN</sub> and V<sub>OUT</sub> step-down ratio than can be achieved for a given input voltage on the two switching regulators. The LTM4614 is 100% duty cycle, but the V<sub>IN</sub> to V<sub>OUT</sub> minimum dropout will be a function the load current. A typical 0.5V minimum is sufficient.

### Output Voltage Programming

Each regulator channel has an internal 0.8V reference voltage. As shown in the Block Diagram, a 4.99k internal feedback resistor connects the V<sub>OUT</sub> and FB pins together. The output voltage will default to 0.8V with no feedback resistor. Adding a resistor R<sub>FB</sub> from the FB pin to GND programs the output voltage:

$$V_{OUT} = 0.8V \cdot \frac{4.99k + R_{FB}}{R_{FB}}$$

**Table 1. FB Resistor Table vs Various Output Voltages**

V <sub>OUT</sub>	0.8V	1.2V	1.5V	1.8V	2.5V	3.3V
R <sub>FB</sub>	Open	10k	5.76k	3.92k	2.37k	1.62k

### Input Capacitors

The LTM4614 module should be connected to a low AC impedance DC source. One 4.7μF ceramic capacitor is included inside the module for each regulator channel. Additional input capacitors are needed if a large load step is required up to the full 4A level and for RMS ripple current requirements. A 47μF bulk capacitor can be used for more input bulk capacitance. This 47μF capacitor is only needed if the input source impedance is compromised by long inductive leads or traces.

For a buck converter, the switching duty cycle can be estimated as:

$$D = \frac{V_{OUT}}{V_{IN}}$$

Without considering the inductor current ripple, the RMS current of the input capacitor can be estimated as:

$$I_{CIN(RMS)} = \frac{I_{OUT(MAX)}}{\eta\%} \cdot \sqrt{D \cdot (1-D)}$$

In the above equation, η% is the estimated efficiency of the power module. The bulk capacitor can be a switcher-rated electrolytic aluminum OS-CON capacitor for bulk input capacitance due to high inductance traces or leads. If a low inductance plane is used to power the device, then no input capacitance is required. The internal 4.7μF ceramics on each channel input are typically rated for 1A of RMS ripple current up to 85°C operation. The worst-case ripple current for the 4A maximum current is 2A or less. An additional 10μF or 22μF ceramic capacitor can be used to supplement the internal capacitor with an additional 1A to 2A ripple current rating.

### Output Capacitors

The LTM4614 switchers are designed for low output voltage ripple on each channel. The bulk output capacitors are chosen with low enough effective series resistance (ESR) to meet the output voltage ripple and transient requirements. The output capacitors can be a low ESR tantalum capacitor, low ESR polymer capacitor or ceramic capacitor. The typical output capacitance range is 66μF to 100μF. Additional output filtering may be required by the system designer, if further reduction of output ripple or dynamic transient spike is required. Table 4 shows a matrix of different output voltages and output capacitors to minimize the voltage droop and overshoot during a 2A/μs transient. The table optimizes total equivalent ESR and total bulk capacitance to maximize transient performance.

## APPLICATIONS INFORMATION

### Fault Conditions: Current Limit and Overcurrent Foldback

The LTM4614 has current mode control, which inherently limits the cycle-by-cycle inductor current not only in steady-state operation, but also in transient.

Along with foldback current limiting in the event of an overload condition, the LTM4614 has overtemperature shutdown protection that inhibits switching operation around 150°C for each channel.

### Run Enable and Soft-Start

The RUN/SS pins provide a dual function of enable and soft-start control for each channel. The RUN/SS pins are used to control turn on of the LTM4614. While each enable pin is below 0.5V, the LTM4614 will be in a low quiescent current state. At least a 0.8V level applied to the enable pins will turn on the LTM4614 regulators. This pin can be used to sequence the regulator channels. The soft-start control is provided by a 1M pull-up resistor ( $R_{SS}$ ) and a 1000pF capacitor ( $C_{SS}$ ) as drawn in the Block Diagram for each channel. An external capacitor can be applied to the RUN/SS pin to increase the soft-start time. A typical value is 0.01 $\mu$ F. The approximate equation for soft-start:

$$t_{\text{SOFTSTART}} = \ln\left(\frac{V_{\text{IN}}}{V_{\text{IN}} - 1.8\text{V}}\right) \cdot R_{\text{SS}} \cdot C_{\text{SS}}$$

where  $R_{SS}$  and  $C_{SS}$  are shown in the Block Diagram of Figure 1, and 1.8V is the soft-start upper range. The soft-start function can also be used to control the output ramp-up time, so that another regulator can be easily tracked to it.

### Output Voltage Tracking

Output voltage tracking can be programmed externally using the TRACK pins. Either output can be tracked up or down with another regulator. The master regulator's output is divided down with an external resistor divider that is the same as the slave regulator's feedback divider to implement coincident tracking. The LTM4614 uses a very accurate 4.99k resistor for the internal top feedback resistor. Figure 2 shows an example of coincident tracking.

Equations:

$$\text{TRACK1} = \left(\frac{R_{\text{FB1}}}{4.99\text{k} + R_{\text{FB1}}}\right) \cdot \text{Master}$$

$$\text{Slave} = \left(1 + \frac{4.99\text{k}}{R_{\text{FB1}}}\right) \cdot \text{TRACK1}$$

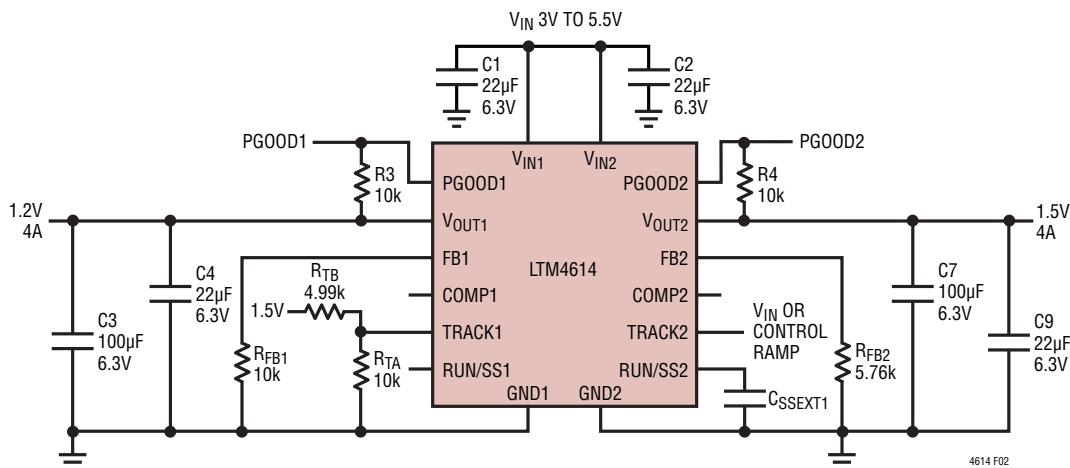


Figure 2. Dual Outputs (1.5V and 1.2V) with Tracking

## APPLICATIONS INFORMATION

TRACK1 is the track ramp applied to the slave's track pin. TRACK1 applies the track reference for the slave output up to the point of the programmed value at which TRACK1 proceeds beyond the 0.8V reference value. The TRACK1 pin must go beyond the 0.8V to ensure the slave output has reached its final value.

Ratiometric tracking can be achieved by a few simple calculations and the slew rate value applied to the master's TRACK pin. As mentioned above, the TRACK pin has a control range from 0V to 0.8V. The control ramp slew rate applied to the master's TRACK pin is directly equal to the master's output slew rate in Volts/Time.

The equation:

$$\frac{MR}{SR} \cdot 4.99k = R_{TB}$$

where MR is the master's output slew rate and SR is the slave's output slew rate in Volts/Time. When coincident tracking is desired, then MR and SR are equal, thus  $R_{TB}$  is equal to 4.99k.  $R_{TA}$  is derived from equation:

$$R_{TA} = \frac{0.8V}{\frac{V_{FB}}{4.99k} + \frac{V_{FB}}{R_{FB}} - \frac{V_{TRACK}}{R_{TB}}}$$

where  $V_{FB}$  is the feedback voltage reference of the regulator, and  $V_{TRACK}$  is 0.8V. Since  $R_{TB}$  is equal to the 4.99k top

feedback resistor of the slave regulator in equal slew rate or coincident tracking, then  $R_{TA}$  is equal to  $R_{FB}$  with  $V_{FB} = V_{TRACK}$ . Therefore  $R_{TB} = 4.99k$  and  $R_{TA} = 10k$  in Figure 2. Figure 3 shows the output voltage tracking waveform for coincident tracking.

In ratiometric tracking, a different slew rate maybe desired for the slave regulator.  $R_{TB}$  can be solved for when SR is slower than MR. Make sure that the slave supply slew rate is chosen to be fast enough so that the slave output voltage will reach it final value before the master output.

For example,  $MR = 2.5V/ms$  and  $SR = 1.8V/1ms$ . Then  $R_{TB} = 6.98k$ . Solve for  $R_{TA}$  to equal to 3.24k. The master output must be greater than the slave output for the tracking to work. Output load current must be present for tracking to operate properly during power down.

### Power Good

PGOOD1 and PGOOD2 are open-drain pins that can be used to monitor valid output voltage regulation. These pins monitor a  $\pm 7.5\%$  window around the regulation point.

### COMP Pin

This pin is the external compensation pin. The module has already been internally compensated for all output voltages. Table 4 is provided for most application requirements. The Linear Technology  $\mu$ Module Power Design Tool will be provided for other control loop optimization.

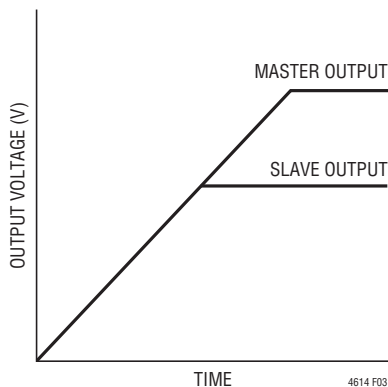


Figure 3. Output Voltage Coincident Tracking

## APPLICATIONS INFORMATION

### Parallel Switching Regulator Operation

The LTM4614 switching regulators are inherently current mode control. Paralleling will have very good current sharing. This will balance the thermals on the design. Figure 13 shows a schematic of a parallel design. The voltage feedback equation changes with the variable N as channels are paralleled.

The equation:

$$V_{OUT} = 0.8V \cdot \frac{\frac{4.99k}{N} + R_{FB}}{R_{FB}}$$

N is the number of paralleled channels.

### Thermal Considerations and Output Current Derating

The power loss curves in Figures 5 and 6 can be used in coordination with the load current de-rating curves in Figures 7 to 10 for calculating an approximate  $\theta_{JA}$  thermal resistance for the LTM4614 with various heat sinking

and airflow conditions. Both of the LTM4614 outputs are at full 4A load current, and the power loss curves in Figures 5 and 6 are combine power losses plotted for both output voltages up to 4A each. The 4A output voltages are 1.2V and 3.3V. These voltages are chosen to include the lower and higher output voltage ranges for correlating the thermal resistance. Thermal models are derived from several temperature measurements in a controlled temperature chamber along with thermal modeling analysis. The junction temperatures are monitored while ambient temperature is increased with and without airflow. The junctions are maintained at ~120°C while lowering output current or power while increasing ambient temperature. The 120°C is chosen to allow for a 5°C margin window relative to the maximum 125°C. The decreased output current will decrease the internal module loss as ambient temperature is increased. The power loss curves in Figures 5 and 6 show this amount of power loss as a function of load current that is specified for both channels. The monitored junction temperature of 120°C minus the ambient operating temperature specifies how much

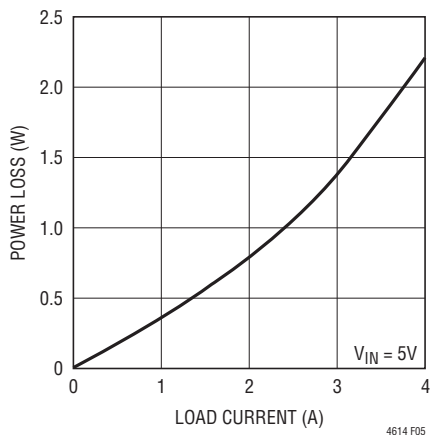


Figure 5. 1.2V Power Loss

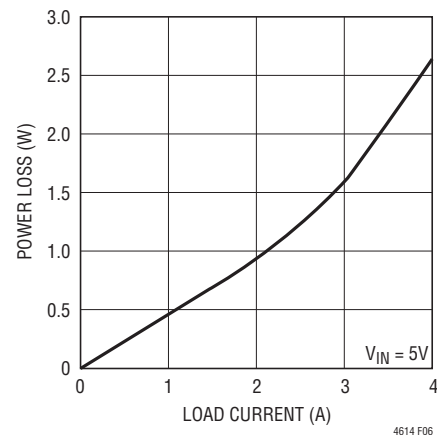


Figure 6. 3.3V Power Loss

## APPLICATIONS INFORMATION

module temperature rise can be allowed. As an example in Figure 7 the load current is de-rated to 3A for each channel with 0LFM at  $\sim 90^{\circ}\text{C}$  and the power loss for both channels at 5V to 1.2V at 3A output are  $\sim 1.5$  watts. If the  $90^{\circ}\text{C}$  ambient temperature is subtracted from the  $120^{\circ}\text{C}$  maximum junction temperature, then the difference of  $30^{\circ}\text{C}$  divided 1.5W equals a  $20^{\circ}\text{C}/\text{W}$  thermal resistance. Table 2 specifies a  $15^{\circ}\text{C}/\text{W}$  value which is close. Table 2 and Table 3 provide equivalent thermal resistances for 1.2V and 3.3V outputs with and without air flow and

heat sinking. The combine power loss for the two 4A outputs can be summed together and multiplied by the thermal resistance values in Tables 2 and 3 for module temperature rise under the specified conditions. The printed circuit board is a 1.6mm thick four layer board with 2 ounce copper for the two outer layers and 1 ounce copper for the two inner layers. The PCB dimensions are  $95\text{mm} \times 76\text{mm}$ . The data sheet list the  $\theta_{JP}$  (junction to pin) and  $\theta_{JC}$  (junction to case) thermal resistances under the Pin Configuration diagram.

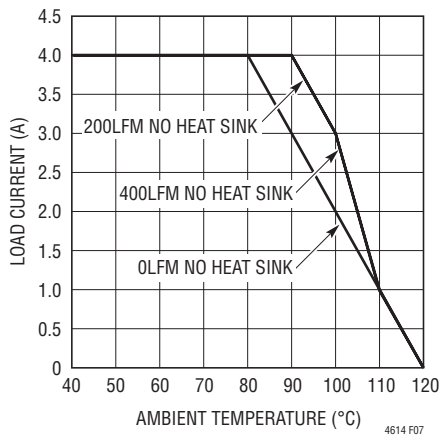


Figure 7. 1.2V No Heat Sink ( $V_{IN} = 5\text{V}$ )

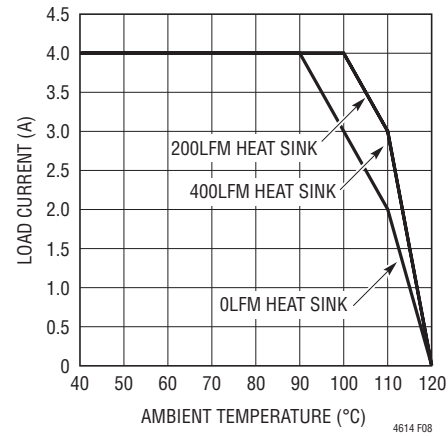


Figure 8. 1.2V Heat Sink ( $V_{IN} = 5\text{V}$ )

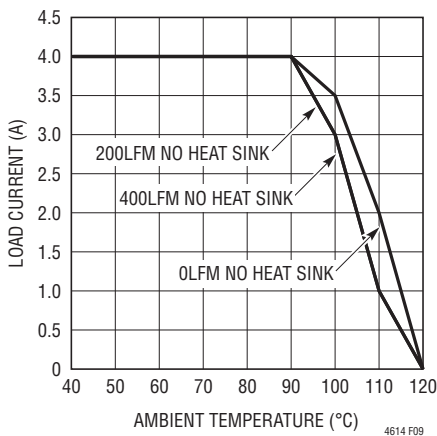


Figure 9. 3.3V No Heat Sink ( $V_{IN} = 5\text{V}$ )

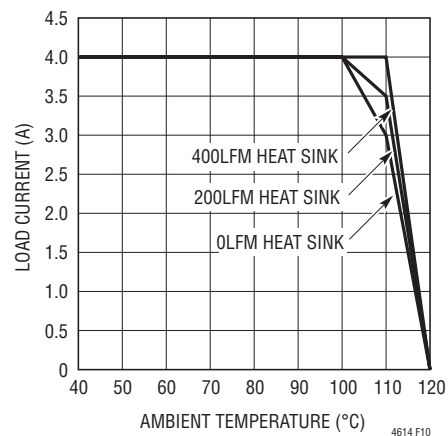


Figure 10. 3.3V Heat Sink ( $V_{IN} = 5\text{V}$ )

## APPLICATIONS INFORMATION

**Table 2. 1.2V Output**

DERATING CURVE	V <sub>IN</sub> (V)	POWER LOSS CURVE	AIRFLOW (LFM)	HEAT SINK	θ <sub>JA</sub> (°C/W)
Figure 7	5	Figure 5	0	None	15
Figure 7	5	Figure 5	200	None	12
Figure 7	5	Figure 5	400	None	10
Figure 8	5	Figure 5	0	BGA Heat Sink	12
Figure 8	5	Figure 5	200	BGA Heat Sink	9
Figure 8	5	Figure 5	400	BGA Heat Sink	7

**Table 3. 3.3V Output**

DERATING CURVE	V <sub>IN</sub> (V)	POWER LOSS CURVE	AIRFLOW (LFM)	HEAT SINK	θ <sub>JA</sub> (°C/W)
Figure 9	5	Figure 6	0	None	15
Figure 9	5	Figure 6	200	None	12
Figure 9	5	Figure 6	400	None	10
Figure 10	5	Figure 6	0	BGA Heat Sink	12
Figure 10	5	Figure 6	200	BGA Heat Sink	9
Figure 10	5	Figure 6	400	BGA Heat Sink	7

HEAT SINK MANUFACTURER	PART NUMBER	PHONE NUMBER
Aavid	375424b00034G	603-635-2800

## APPLICATIONS INFORMATION

### Safety Considerations

The LTM4614 modules do not provide isolation from  $V_{IN}$  to  $V_{OUT}$ . There is no internal fuse. If required, a slow blow fuse with a rating twice the maximum input current needs to be provided to protect each unit from catastrophic failure.

### Layout Checklist/Example

The high integration of LTM4614 makes the PCB board layout very simple and easy. However, to optimize its electrical and thermal performance, some layout considerations are still necessary.

- Use large PCB copper areas for high current path, including  $V_{IN}$ , GND and  $V_{OUT}$ . It helps to minimize the PCB conduction loss and thermal stress.

- Place high frequency ceramic input and output capacitors next to the  $V_{IN}$ , GND and  $V_{OUT}$  pins to minimize high frequency noise.
- Place a dedicated power ground layer underneath the unit.
- To minimize the via conduction loss and reduce module thermal stress, use multiple vias for interconnection between the top layer and other power layers.
- Do not put via directly on pads unless the via is capped.

Figure 11 gives a good example of the recommended layout.

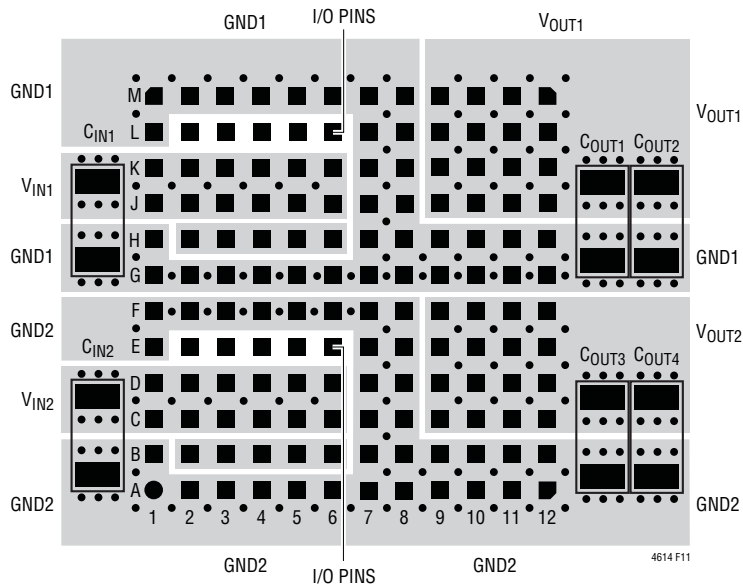


Figure 11. Recommended PCB Layout

## APPLICATIONS INFORMATION

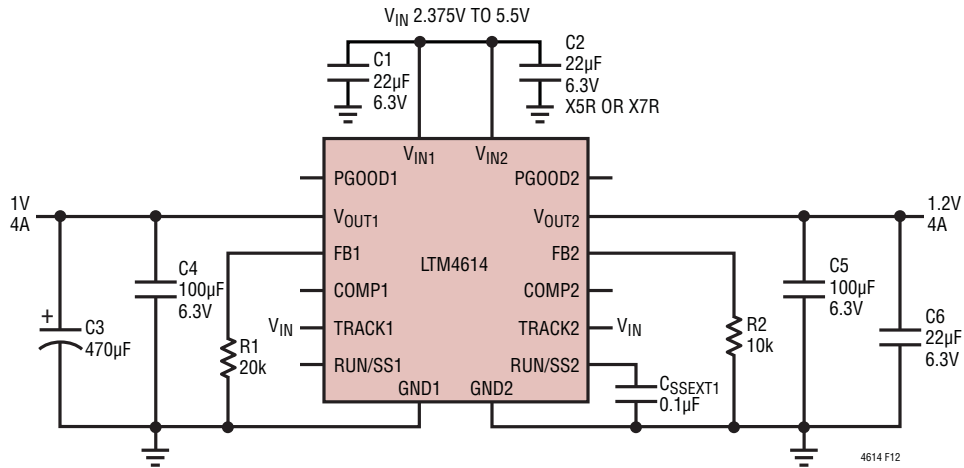
Figure 12. Typical 2.375V<sub>IN</sub> to 5.5V<sub>IN</sub>, 1.2V and 1V at 4A

Table 4. Output Voltage Response vs Component Matrix (Refer to Figure 12) 0A to 2.5A Load Step Typical Measured Values

C <sub>OUT1</sub> AND C <sub>OUT2</sub> CERAMIC VENDORS	VALUE	PART NUMBER	C <sub>OUT1</sub> AND C <sub>OUT2</sub> BULK VENDORS	VALUE	PART NUMBER
TDK	22µF 6.3V	C3216X7S0J226M	Sanyo POSCAP	150µF 10V	10TPD150M
Murata	22µF 16V	GRM31CR61C226KE15L	Sanyo POSCAP	220µF 4V	4TPE220MF
TDK	100µF 6.3V	C4532X5R0J107MZ	C <sub>IN</sub> BULK VENDORS	VALUE	PART NUMBER
Murata	100µF 6.3V	GRM32ER60J107M	Sanyo POSCAP	100µF 10V	10CE100FH

V <sub>OUT</sub> (V)	C <sub>IN</sub> (CERAMIC)	C <sub>IN</sub> (BULK)*	C <sub>OUT1</sub> AND C <sub>OUT2</sub> (CER) EACH	C <sub>OUT1</sub> AND C <sub>OUT2</sub> (POSCAP) EACH	I <sub>TH</sub>	V <sub>IN</sub> (V)	DROOP (mV)	PEAK-TO-PEAK DEVIATION	RECOVERY TIME (µs)	LOAD STEP (A/µs)	R <sub>FB</sub> (kΩ)
1.2	10µF ×2	100µF	100µF, 22µF ×2	None	None	5	33	68	11	2.5	10
1.2	10µF ×2	100µF	22µF ×1	220µF	None	5	25	50	9	2.5	10
1.2	10µF ×2	100µF	100µF, 22µF ×2	None	None	3.3	33	68	8	2.5	10
1.2	10µF ×2	100µF	22µF ×1	220µF	None	3.3	25	50	10	2.5	10
1.5	10µF ×2	100µF	100µF, 22µF ×2	None	None	5	30	60	11	2.5	5.76
1.5	10µF ×2	100µF	22µF ×1	220µF	None	5	28	60	11	2.5	5.76
1.5	10µF ×2	100µF	100µF, 22µF ×2	None	None	3.3	30	60	10	2.5	5.76
1.5	10µF ×2	100µF	22µF ×1	220µF	None	3.3	27	56	10	2.5	5.76
1.8	10µF ×2	100µF	100µF, 22µF ×2	None	None	5	34	68	12	2.5	3.92
1.8	10µF ×2	100µF	22µF ×1	220µF	None	5	30	60	12	2.5	3.92
1.8	10µF ×2	100µF	22µF ×1	220µF	None	3.3	30	60	12	2.5	3.92
2.5	10µF ×2	None	22µF ×1	None	None	5	50	90	10	2.5	3.09
2.5	10µF ×2	100µF	22µF ×1	150µF	None	5	33	60	10	2.5	3.09
2.5	10µF ×2	100µF	22µF ×1	150µF	None	3.3	50	95	12	2.5	3.09
3.3	10µF ×2	100µF	22µF ×1	150µF	None	5	50	90	12	2.5	1.62

\*Bulk capacitance is optional if V<sub>IN</sub> has very low input impedance.



## APPLICATIONS INFORMATION

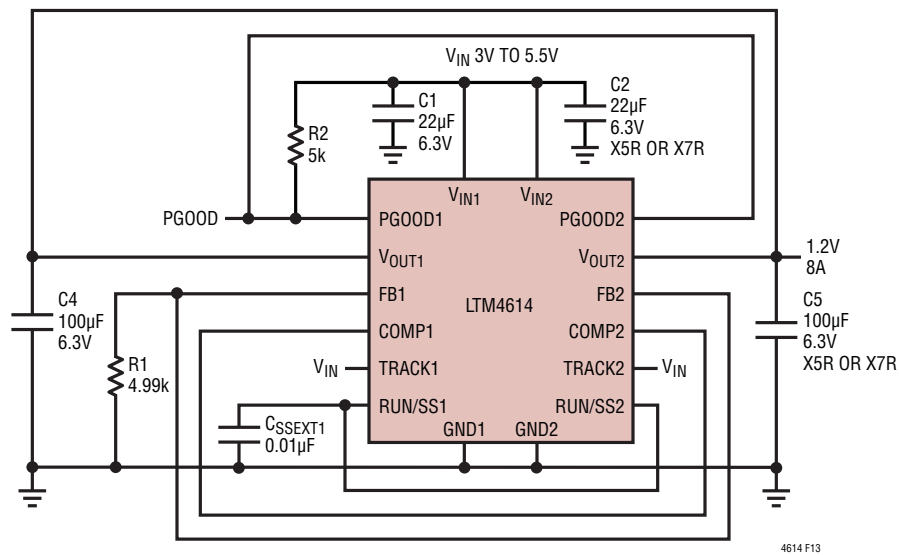


Figure 13. LTM4614 Parallel 1.2V at 8A Design (Also, See the LTM4608A)

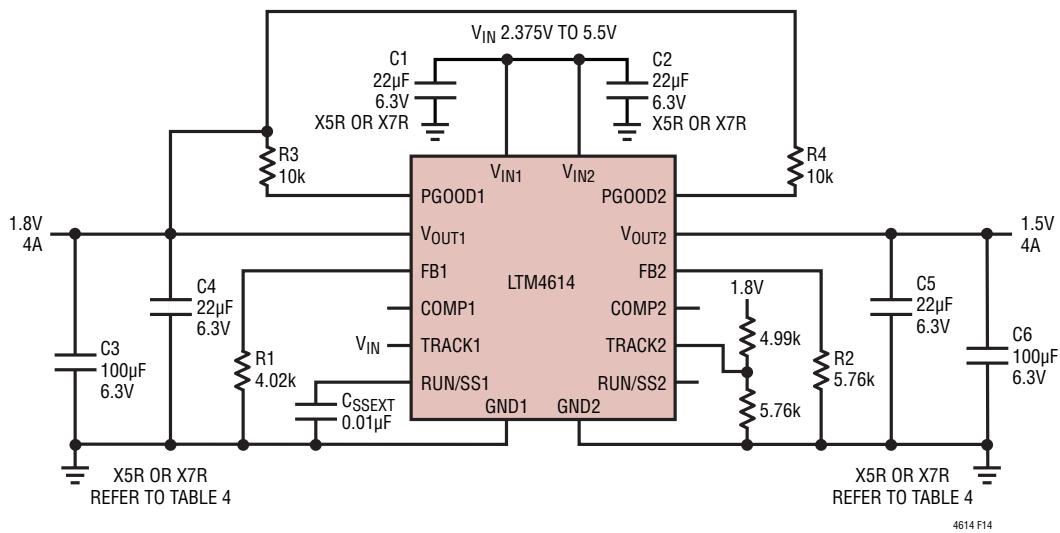
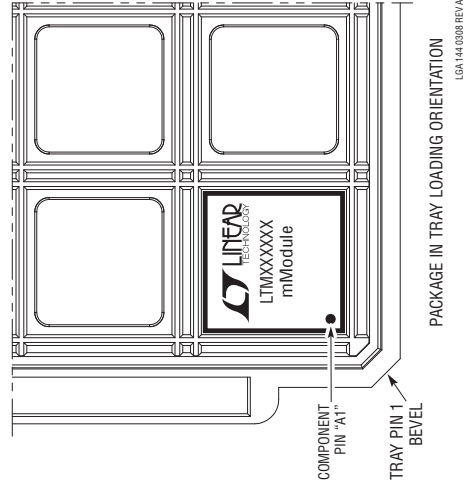
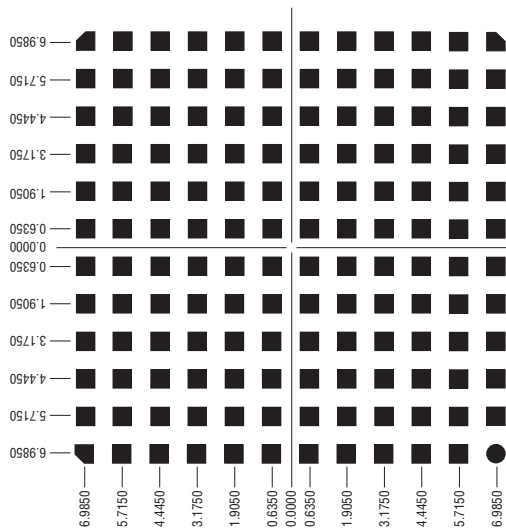
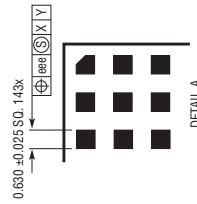
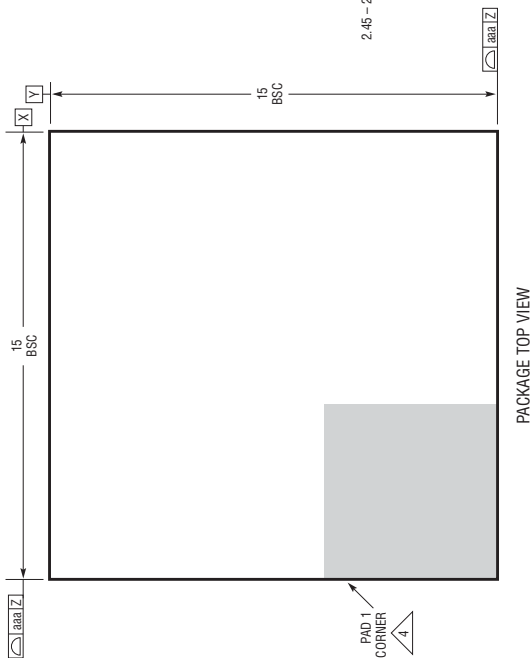
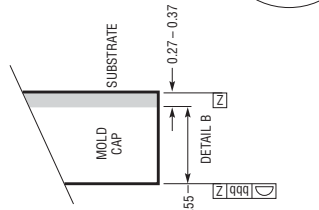
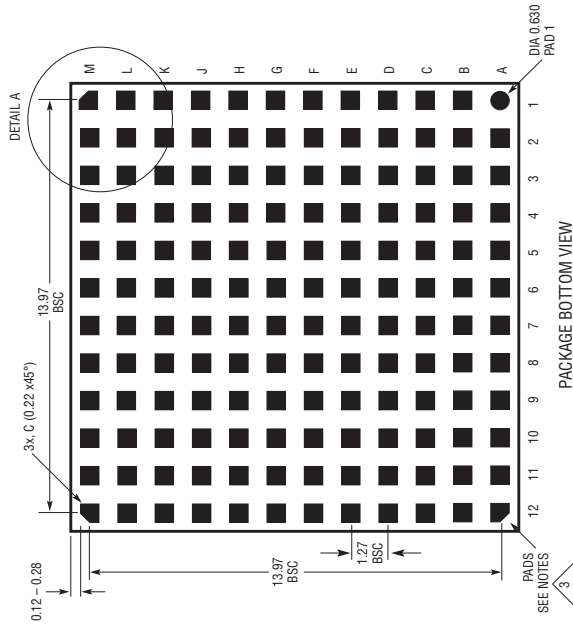


Figure 14. 1.8V and 1.5V at 4A with Output Voltage Tracking Design

# PACKAGE DESCRIPTION

**LGA Package**  
**144-Lead (15mm × 15mm × 2.82mm)**  
 (Reference LTC DWG # 05-08-1816 Rev A)



- NOTES:
1. DIMENSIONING AND TOLERANCING PER ASME Y14.5M-1994
  2. ALL DIMENSIONS ARE IN MILLIMETERS
  3. LAND DESIGNATION PER JEDEC MO-222, SPP-010
  4. DETAILS OF PAD #1 IDENTIFIER ARE OPTIONAL, BUT MUST BE LOCATED WITHIN THE ZONE INDICATED. THE PAD #1 IDENTIFIER MAY BE EITHER A MOLD OR MARKED FEATURE
  5. PRIMARY DATUM -Z- IS SEATING PLANE
  6. THE TOTAL NUMBER OF PADS: 144

SYMBOL	TOLERANCE
aaa	0.10
bbb	0.10
eee	0.05

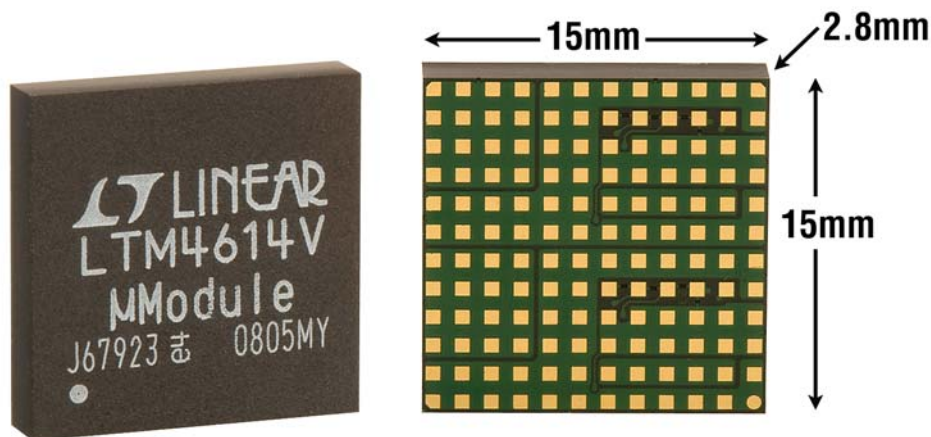
## PACKAGE DESCRIPTION

### LTM4614 Component LGA Pinout

PIN ID	FUNCTION	PIN ID	FUNCTION	PIN ID	FUNCTION	PIN ID	FUNCTION	PIN ID	FUNCTION	PIN ID	FUNCTION
A1	GND2	B1	GND2	C1	V <sub>IN2</sub>	D1	V <sub>IN2</sub>	E1	GND2	F1	GND2
A2	GND2	B2	SW2	C2	V <sub>IN2</sub>	D2	V <sub>IN2</sub>	E2	RUN/SS2	F2	GND2
A3	GND2	B3	SW2	C3	V <sub>IN2</sub>	D3	V <sub>IN2</sub>	E3	TRACK2	F3	GND2
A4	GND2	B4	SW2	C4	V <sub>IN2</sub>	D4	V <sub>IN2</sub>	E4	PGOOD2	F4	GND2
A5	GND2	B5	SW2	C5	V <sub>IN2</sub>	D5	V <sub>IN2</sub>	E5	COMP2	F5	GND2
A6	GND2	B6	SW2	C6	V <sub>IN2</sub>	D6	V <sub>IN2</sub>	E6	FB2	F6	GND2
A7	GND2	B7	GND2	C7	GND2	D7	GND2	E7	GND2	F7	GND2
A8	GND2	B8	GND2	C8	GND2	D8	GND2	E8	GND2	F8	GND2
A9	GND2	B9	GND2	C9	V <sub>OUT2</sub>	D9	V <sub>OUT2</sub>	E9	V <sub>OUT2</sub>	F9	V <sub>OUT2</sub>
A10	GND2	B10	GND2	C10	V <sub>OUT2</sub>	D10	V <sub>OUT2</sub>	E10	V <sub>OUT2</sub>	F10	V <sub>OUT2</sub>
A11	GND2	B11	GND2	C11	V <sub>OUT2</sub>	D11	V <sub>OUT2</sub>	E11	V <sub>OUT2</sub>	F11	V <sub>OUT2</sub>
A12	GND2	B12	GND2	C12	V <sub>OUT2</sub>	D12	V <sub>OUT2</sub>	E12	V <sub>OUT2</sub>	F12	V <sub>OUT2</sub>

PIN ID	FUNCTION	PIN ID	FUNCTION	PIN ID	FUNCTION	PIN ID	FUNCTION	PIN ID	FUNCTION	PIN ID	FUNCTION
G1	GND1	H1	GND1	J1	V <sub>IN1</sub>	K1	V <sub>IN1</sub>	L1	GND1	M1	GND1
G2	GND1	H2	SW1	J2	V <sub>IN1</sub>	K2	V <sub>IN1</sub>	L2	RUN/SS1	M2	GND1
G3	GND1	H3	SW1	J3	V <sub>IN1</sub>	K3	V <sub>IN1</sub>	L3	TRACK1	M3	GND1
G4	GND1	H4	SW1	J4	V <sub>IN1</sub>	K4	V <sub>IN1</sub>	L4	PGOOD1	M4	GND1
G5	GND1	H5	SW1	J5	V <sub>IN1</sub>	K5	V <sub>IN1</sub>	L5	COMP1	M5	GND1
G6	GND1	H6	SW1	J6	V <sub>IN1</sub>	K6	V <sub>IN1</sub>	L6	FB1	M6	GND1
G7	GND1	H7	GND1	J7	GND1	K7	GND1	L7	GND1	M7	GND1
G8	GND1	H8	GND1	J8	GND1	K8	GND1	L8	GND1	M8	GND1
G9	GND1	H9	GND1	J9	V <sub>OUT1</sub>	K9	V <sub>OUT1</sub>	L9	V <sub>OUT1</sub>	M9	V <sub>OUT1</sub>
G10	GND1	H10	GND1	J10	V <sub>OUT1</sub>	K10	V <sub>OUT1</sub>	L10	V <sub>OUT1</sub>	M10	V <sub>OUT1</sub>
G11	GND1	H11	GND1	J11	V <sub>OUT1</sub>	K11	V <sub>OUT1</sub>	L11	V <sub>OUT1</sub>	M11	V <sub>OUT1</sub>
G12	GND1	H12	GND1	J12	V <sub>OUT1</sub>	K12	V <sub>OUT1</sub>	L12	V <sub>OUT1</sub>	M12	V <sub>OUT1</sub>

## PACKAGE PHOTOGRAPH



## RELATED PARTS

PART NUMBER	DESCRIPTION	COMMENTS
LTC <sup>®</sup> 2900	Quad Supply Monitor with Adjustable Reset Timer	Monitors Four Supplies, Adjustable Reset Timer
LTC2923	Power Supply Tracking Controller	Tracks Both Up and Down, Power Supply Sequencing
LTM4600HV	10A DC/DC μModule	$4.5V \leq V_{IN} \leq 28V$ , $0.6V \leq V_{OUT} \leq 5V$ , LGA Package
LTM4600HVMP	Wide Temperature Range 10A DC/DC μModule	Guaranteed Operation from $-55^{\circ}C$ to $125^{\circ}C$ Ambient, LGA Package
LTM4601A	12A DC/DC μModule with PLL, Output Tracking/Margining and Remote Sensing	Synchronizable PolyPhase <sup>®</sup> Operation, LTM4601-1/LTM4601A-1 Version Has No Remote Sensing, LGA Package
LTM4602	6A DC/DC μModule	Pin Compatible with the LTM4600, LGA Package
LTM4603	6A DC/DC μModule with PLL and Output Tracking/Margining and Remote Sensing	Synchronizable, PolyPhase Operation, LTM4603-1 Version Has No Remote Sensing, Pin Compatible with the LTM4601, LGA Package
LTM4604A	Low $V_{IN}$ 4A DC/DC μModule	$2.375V \leq V_{IN} \leq 5.5V$ , $0.8V \leq V_{OUT} \leq 5V$ , $9mm \times 15mm \times 2.3mm$ LGA Package
LTM4605	5A to 12A Buck-Boost μModule	$4.5V \leq V_{IN} \leq 20V$ , $0.8V \leq V_{OUT} \leq 16V$ , $15mm \times 15mm \times 2.8mm$ LGA Package
LTM4607	5A to 12A Buck-Boost μModule	$4.5V \leq V_{IN} \leq 36V$ , $0.8V \leq V_{OUT} \leq 25V$ , $15mm \times 15mm \times 2.8mm$ LGA Package
LTM4608A	Low $V_{IN}$ 8A DC/DC Step-Down μModule	$2.7V \leq V_{IN} \leq 5.5V$ , $0.6V \leq V_{OUT} \leq 5V$ , $9mm \times 15mm \times 2.8mm$ LGA Package
LTM4615	Triple Low $V_{IN}$ DC/DC μModule	Two 4A Outputs and One 1.5A Output; $15mm \times 15mm \times 2.8mm$
LTM4616	Dual 8A DC/DC μModule	Current Share Inputs or Outputs; $15mm \times 15mm \times 2.8mm$
LTM8020	High $V_{IN}$ 0.2A DC/DC Step-Down μModule	$4V \leq V_{IN} \leq 36V$ , $1.25V \leq V_{OUT} \leq 5V$ , $6.25mm \times 6.25mm \times 2.3mm$ LGA Package
LTM8021	High $V_{IN}$ 0.5A DC/DC Step-Down μModule	$3V \leq V_{IN} \leq 36V$ , $0.4V \leq V_{OUT} \leq 5V$ , $6.25mm \times 11.25mm \times 2.8mm$ LGA Package
LTM8022	High $V_{IN}$ 1A DC/DC Step-Down μModule	$3.6V \leq V_{IN} \leq 36V$ , $0.8V \leq V_{OUT} \leq 10V$ , $11.25mm \times 9mm \times 2.8mm$ LGA Package
LTM8023	High $V_{IN}$ 2A DC/DC Step-Down μModule	$3.6V \leq V_{IN} \leq 36V$ , $0.8V \leq V_{OUT} \leq 10V$ , $11.25mm \times 9mm \times 2.8mm$ LGA Package

PolyPhase is a registered trademark of Linear Technology Corporation.

4614fa