

# Customer Information Sheet

DRAWING No.: S8111-46R

SHEET 2 OF 2

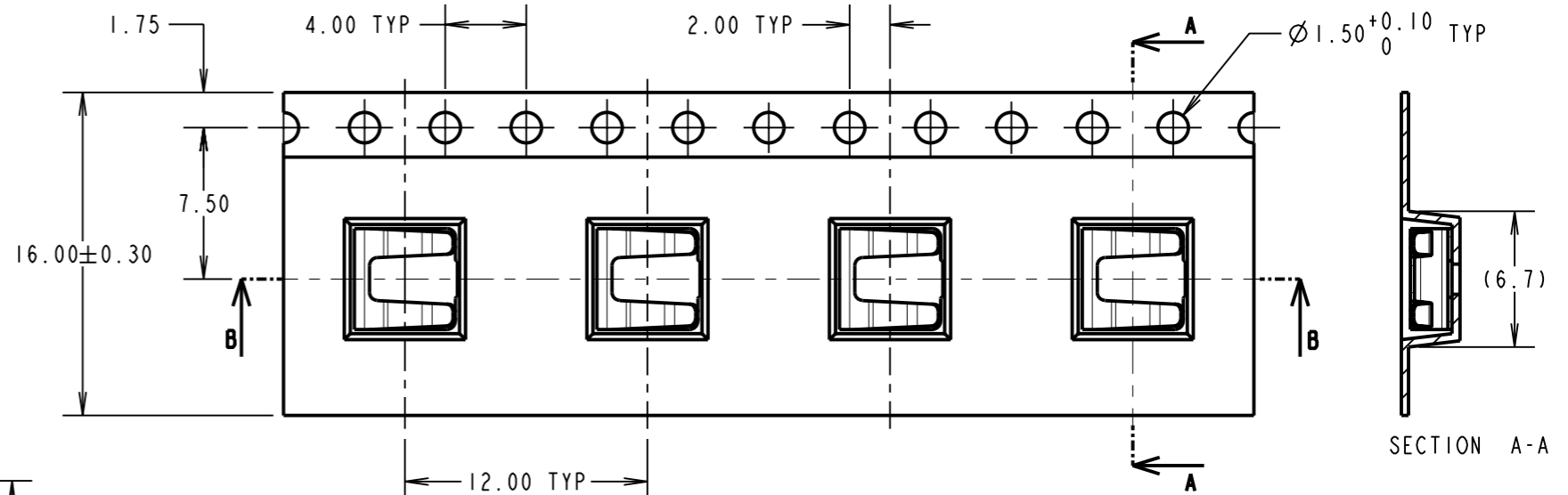
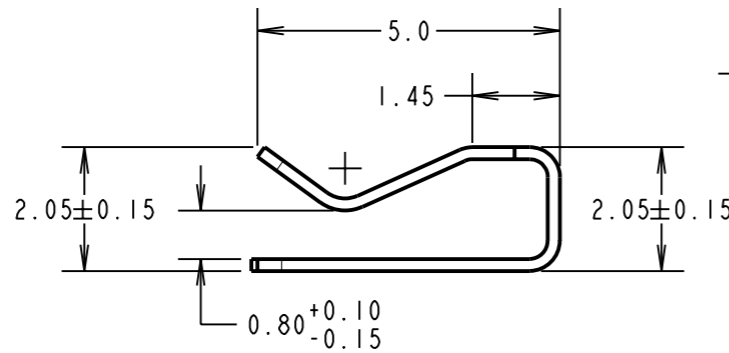
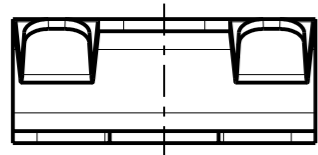
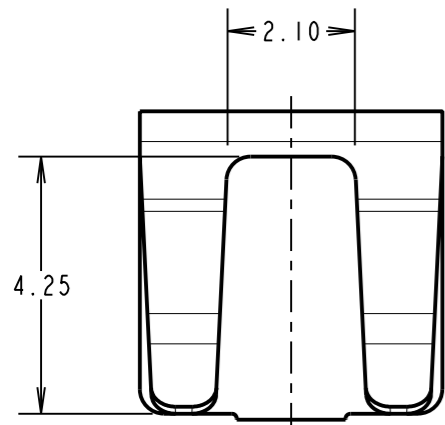
IF IN DOUBT - ASK

©

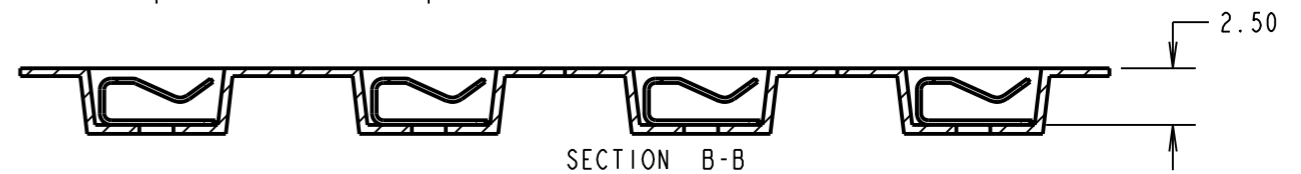
NOT TO SCALE

THIRD ANGLE PROJECTION

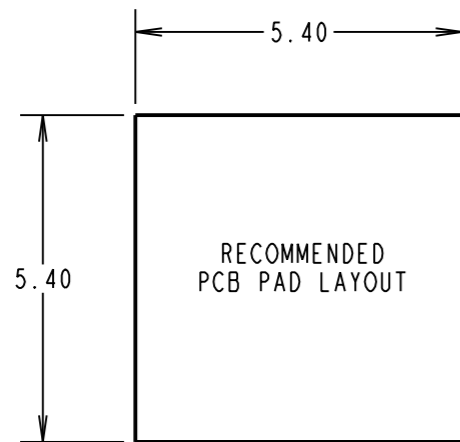
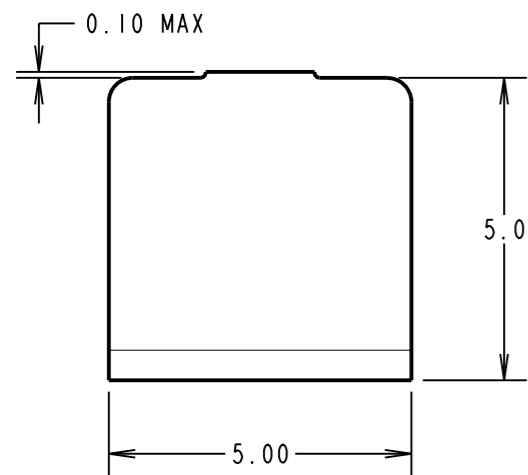
ALL DIMENSIONS IN mm



SECTION A-A

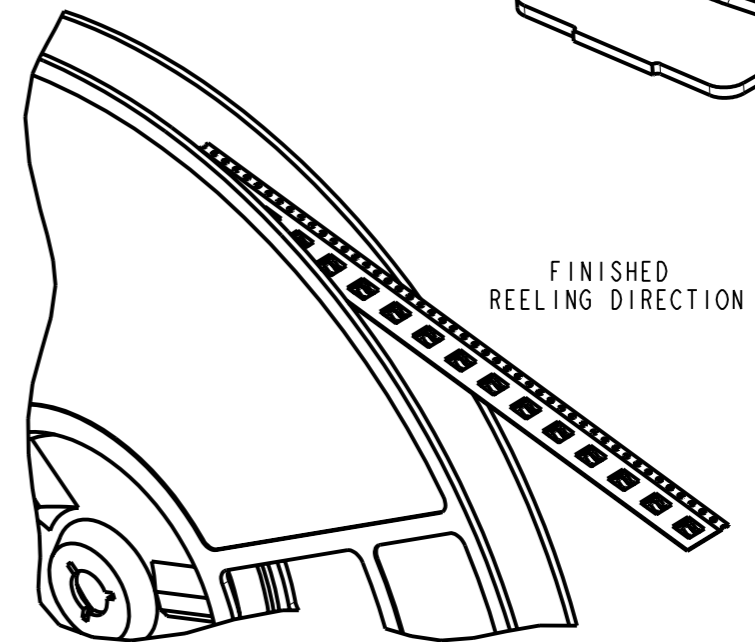
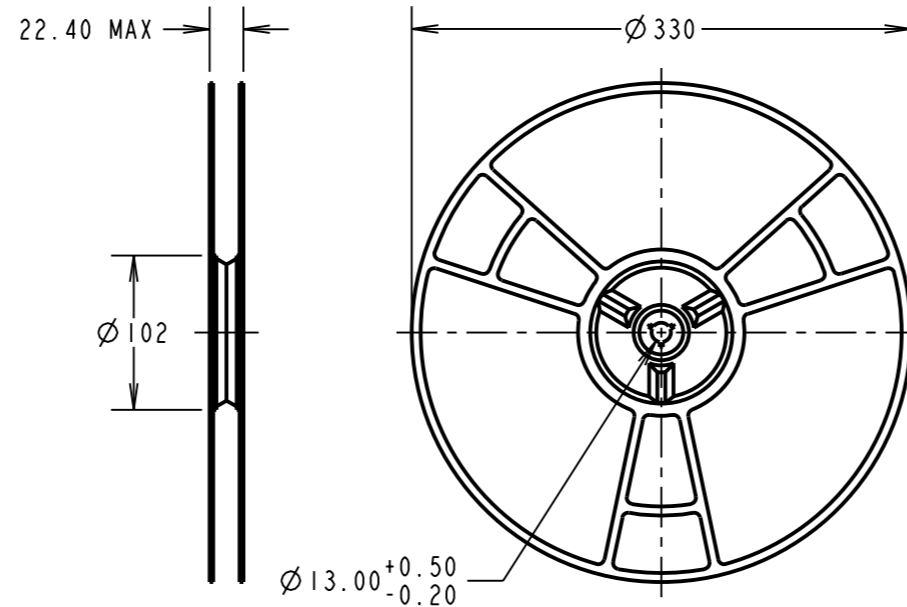
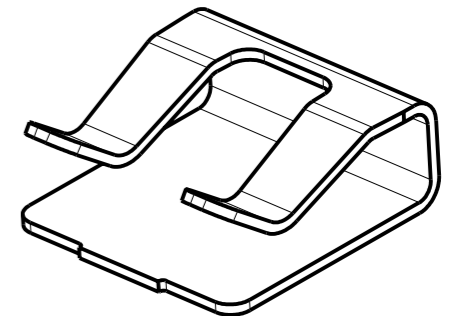


SECTION B-B



RECOMMENDED  
PCB PAD LAYOUT

COMPONENT SPECIFICATION:  
MATERIAL = PHOSPHOR BRONZE  
FINISH = RoHS TIN OVER NICKEL  
CAPACITY MAX. = 3 x Ø1.0mm WIRES  
2 x Ø1.5mm WIRES



FINISHED  
REELING DIRECTION

MGP	1	18.02.10	10679
NAME	ISS.	DATE	C/NOTE
APPROVED: MGP			
CHECKED: SF			
DRAWN: MARK G PLESTED			
CUSTOMER REF.:			
ASSEMBLY DRG:			

- NOTES:  
1. QUANTITY OF COMPONENTS PER REEL = 1,500.  
2. THIS PRODUCT IS TAPED AND REELED IN ACCORDANCE WITH EIA-481 (ELECTRONICS INDUSTRIES ASSOCIATION).

**HARWIN**

HARWIN USA  
TEL: 603 893 5376  
FAX: 603 893 5396  
mis@harwin.com

HARWIN Europe (UK)  
TEL: 023 9231 4545  
FAX: 023 9231 4590  
mis@harwin.co.uk

HARWIN Asia  
TEL: +65 6 779 4909  
FAX: +65 6 779 3868  
mis@harwin.com.sg

THIS DRAWING AND ANY INFORMATION OR DESCRIPTIVE MATTER SET OUT HEREON ARE CONFIDENTIAL AND COPYRIGHT PROPERTY OF THE HARWIN GROUP AND MUST NOT BE DISCLOSED, LOANED, COPIED OR USED FOR MANUFACTURING, TENDERING OR FOR ANY OTHER PURPOSE WITHOUT THEIR WRITTEN PERMISSION.

TOLERANCES

X. = ±1mm  
X.X = ±0.25mm  
X.XX = ±0.10mm  
X.XXX = ±0.01mm

ANGLES = ±5°  
UNLESS STATED

MATERIAL:

SEE ABOVE

FINISH:

S/AREA:

mm<sup>2</sup>

TITLE:

SMT CABLE CLIP Ø1.0-1.5mm  
IN TAPE & REEL

DRAWING NUMBER:

S8111-46R

SHT  
2 OF 2