
6-Channel Audio Processor IC**PT2322**

DESCRIPTION

PT2322 is a 6-Channel Audio Processor IC utilizing CMOS Technology specially designed for audio applications. 6-channel individual input, 6-channel master volume control, 6-channel individual volume trim control, 3-band tone control (treble, middle, and bass), mute function, 3D effect function, tone defeat function are all built into a single chip having the highest performance and reliability with the least components. Furthermore, the pin assignments and application circuit are optimized for easy PCB Layout and cost saving benefits. Housed in 28 pins, DIP or SO Package, PT2322 is the ultimate answer to your every audio system needs.

FEATURES

- Very Low Power Consumption (DC=9V)
- PC Bus Control
- 6-Channel Individual Input
- 6-Channel Master Volume Control: 0 to -79 dB (1 dB/step)
- 6-Channel Individual Output TRIM Volume Control: 0 to -15 dB (1dB/step)
- 3-Band Tone Control (Treble, Middle, Bass): ± 14 dB , 2dB/step
- Mute Function
- 3D Effect Function
- Tone Defeat Function
- Low Noise
- High Channel Separation
- Low Harmonic Distortion
- Least External Components
- Easy to Use
- Available in 28-pin, DIP or SO Package

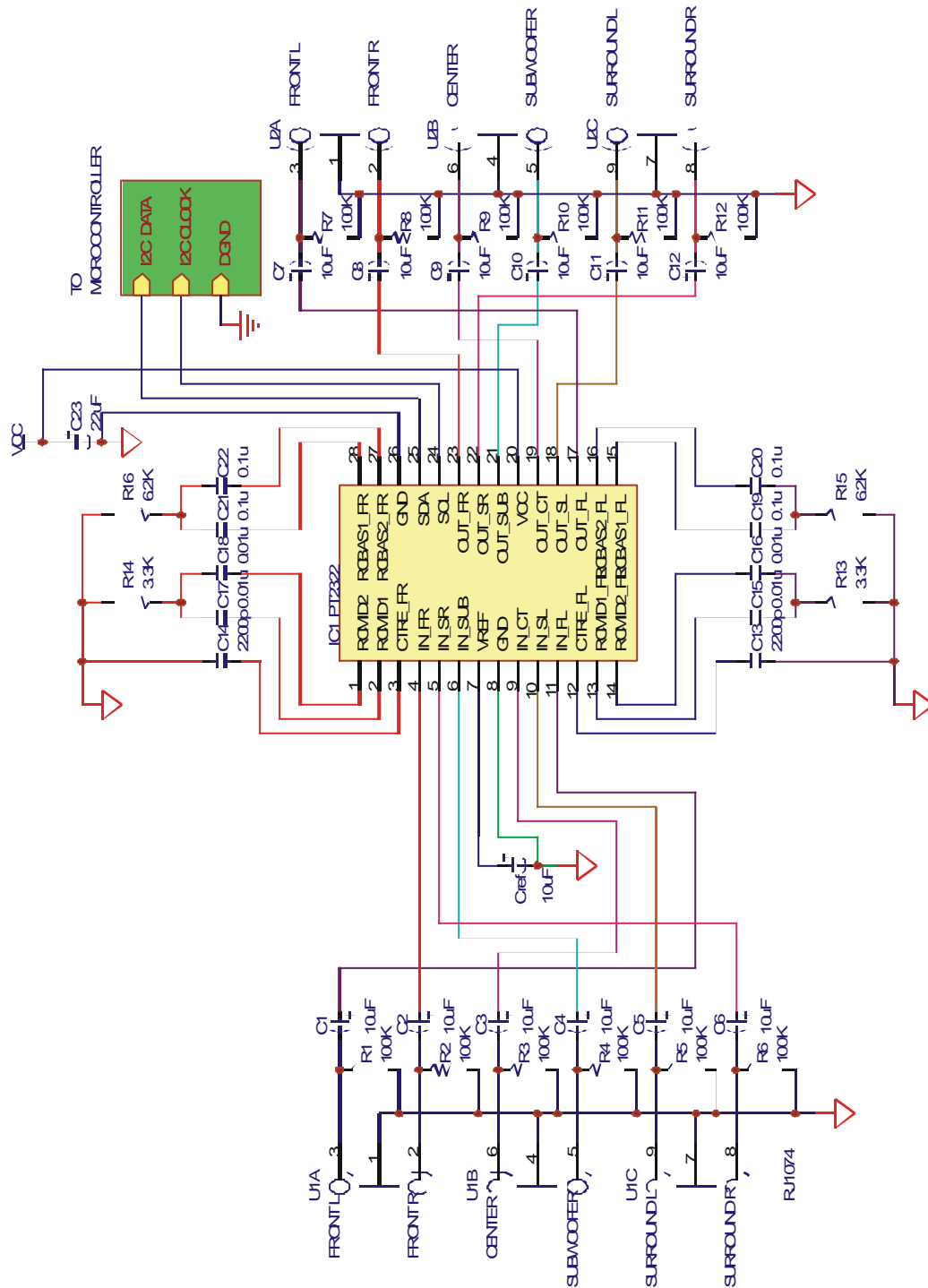
APPLICATIONS

- Audio/Video System
- Multi-Media Speakers
- TV System
- PC Audio
- AC3 Amplifier System

6-Channel Audio Processor IC

PT2322

APPLICATION CIRCUIT



6-Channel Audio Processor IC

PT2322

ORDER INFORMATION

Order Part Number	Package Type	Top Code
PT2322	28 Pins, DIP Package (600 mil)	PT2322
PT2322-S	28 Pins, SO Package (330 mil)	PT2322-S