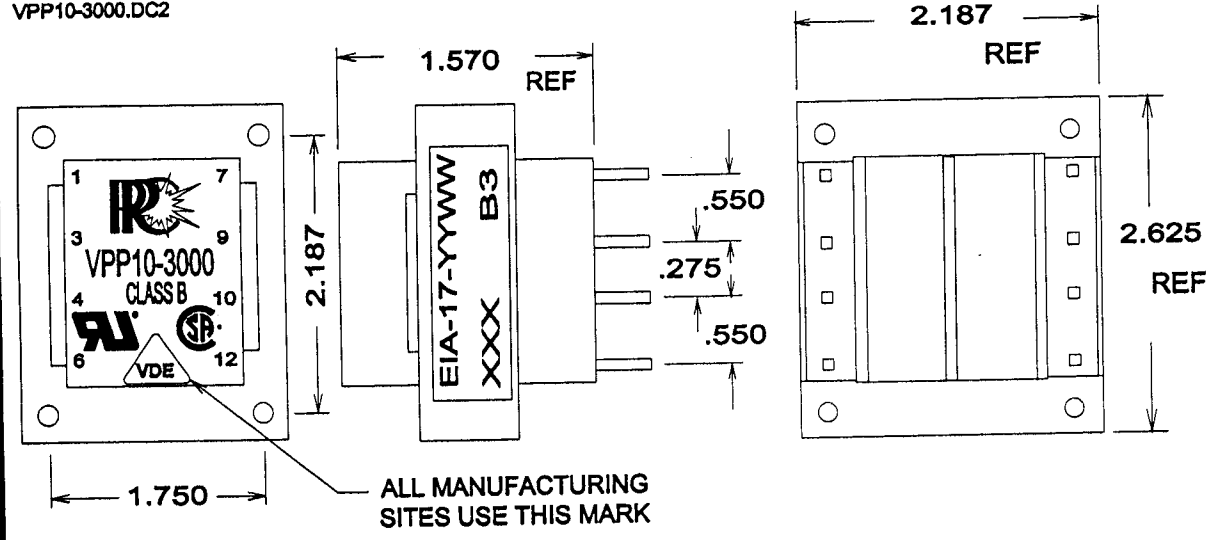
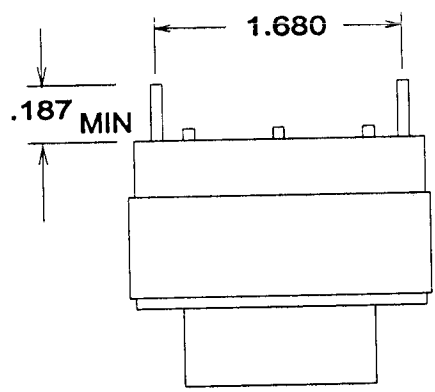
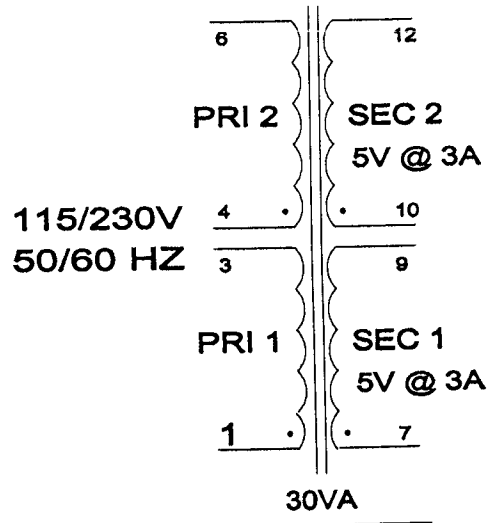


TOLERANCE UNLESS SPECIFIED = .XXX= +/- .005 .XX= +/- .015 FRACTIONS= +/- .032

VPP10-3000.DC2



PC PINS .045 SQ.



PRODUCTION TESTS

TURNS RATIO = 100%		
DC RESISTANCE IN OHMS	1-3 =	51 NOM
	4-6 =	63 NOM
	7-9 =	.154 NOM
	10-12 =	.185 NOM

MAX EXCITATION CURRENT = .040 A
 APPLY 230V 60HZ 1-6 (3+4)
 PRI WDGS 114.5 TO 115.5 V
 SEC WDGS 5.95 TO 6.45 V

HIPOT: 4000V P-S
 4000V P,S, TO CORE
 1000V P-P, S-S

IMPREGNATION NOTES: PREHEAT 2 HRS
 PINS TO BE FREE OF IMPREGNATION

FINAL ASSEMBLY NOTES

METHOD 1 X 1
 LEAVE OFF LAST "I" PCS

MARKING SEE LABEL DETAIL ABOVE
 APPLY PART NO. LABEL, AFTER IMPREGNATION.

 PART NO.: VPP10-3000