

**PLEASE CHECK WWW.MOLEX.COM FOR LATEST PART INFORMATION**

**Part Number:** **0473220323**  
**Status:** **Active**  
**Description:** 1.00mm (.039") Pitch ExpressCard\* Ejector, Bottom Mount, Push-Push Type, for 34.00mm (1.34") Header with 3.22mm (.127") Stand Off, Lead Free

**Documents:**

[3D Model](#) [Product Specification PS-47277-001 \(PDF\)](#)  
[Drawing \(PDF\)](#) [RoHS Certificate of Compliance \(PDF\)](#)

**General**

Product Family	Memory Card Sockets
Series	<u>47322</u>
Button Type	Push-Push
Component Type	Ejector (Host)
Product Name	ExpressCard*
Type	N/A

**Physical**

Card Detection Switch	No
Circuits (Loaded)	N/A
Durability (mating cycles max)	Contact Molex
Ejector Button Side	Left
Entry Angle	N/A
Keying to Mating Part	Yes
Material - Metal	Piano wire, Stainless Steel
PCB Locator	Yes
PCB Mounting Side	Reverse
PCB Retention	Yes
Packaging Type	Tray
Pitch - Mating Interface (in)	0.000 In
Pitch - Mating Interface (mm)	0.00 mm
Pitch - Term. Interface (in)	0.000 In
Pitch - Term. Interface (mm)	0.00 mm
Ports	1
Surface Mount Compatible (SMC)	N/A
Temperature Range - Operating	-40°C to +85°C

**Electrical**

Current - Maximum per Contact	N/A
Shielded	Yes
Voltage - Maximum	N/A
Voltage Key	N/A

**Material Info**

**Reference - Drawing Numbers**

Packaging Specification	PK-47322-013
Product Specification	PS-47277-001
Sales Drawing	SD-47322-002

\* ExpressCard is trademark, or registered trademark of PCMCIA

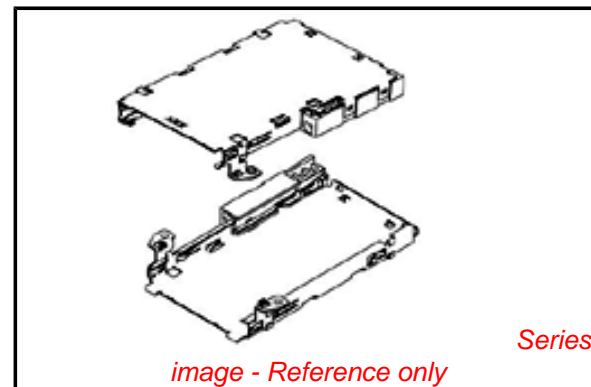


image - Reference only

**EU RoHS**

**ELV and RoHS  
Compliant**  
**REACH SVHC**  
 Not Reviewed  
**Halogen-Free**  
**Status**  
 Not Reviewed

**China RoHS**



**Need more information on product  
environmental compliance?**

Email [productcompliance@molex.com](mailto:productcompliance@molex.com)  
 For a multiple part number RoHS Certificate of Compliance, [click here](#)

Please visit the [Contact Us](#) section for any non-product compliance questions.

**Search Parts in this Series**

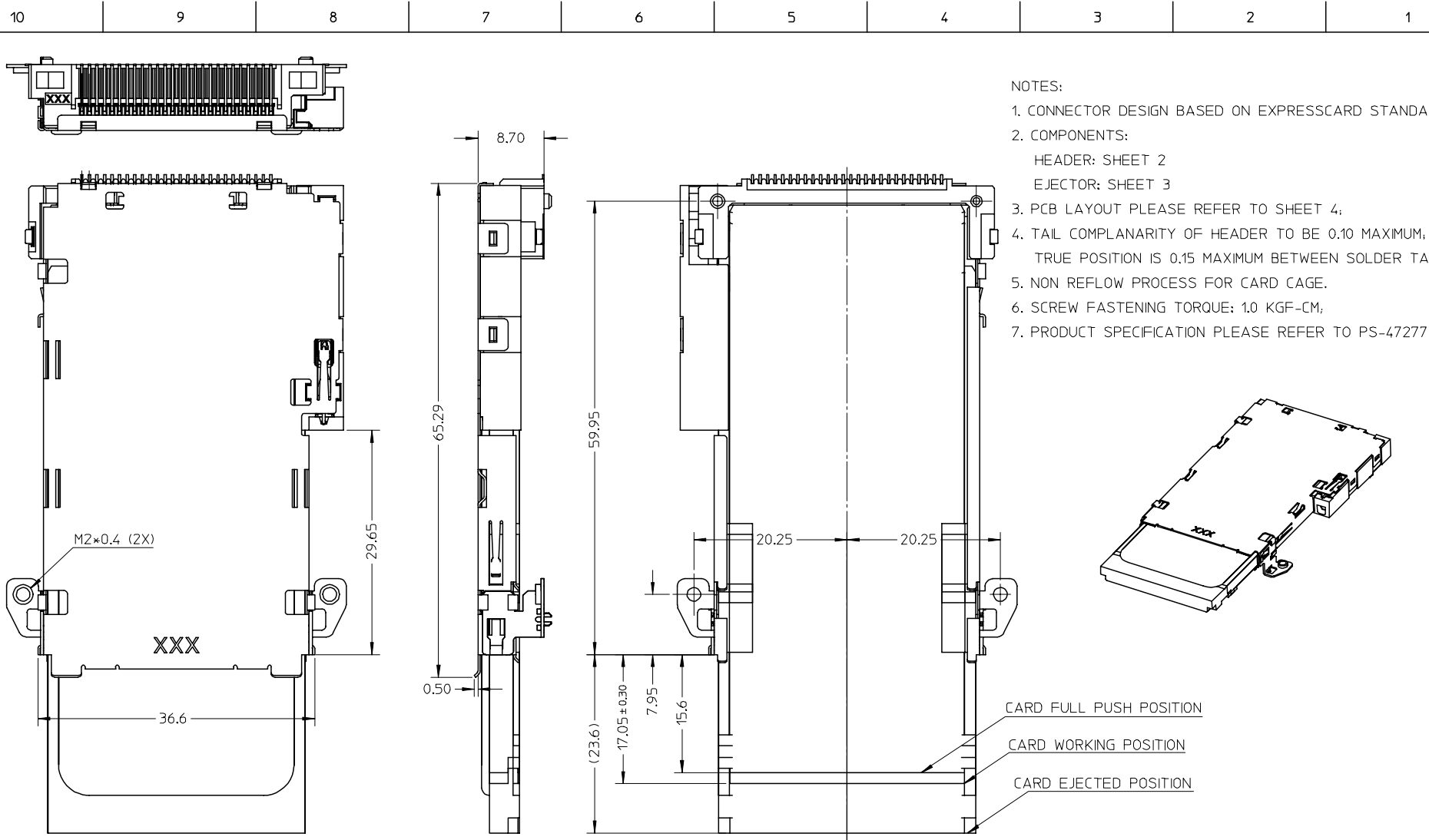
[47322Series](#)

**Mates With**

ExpressCard\* Module

**Use With**

[473220322](#)



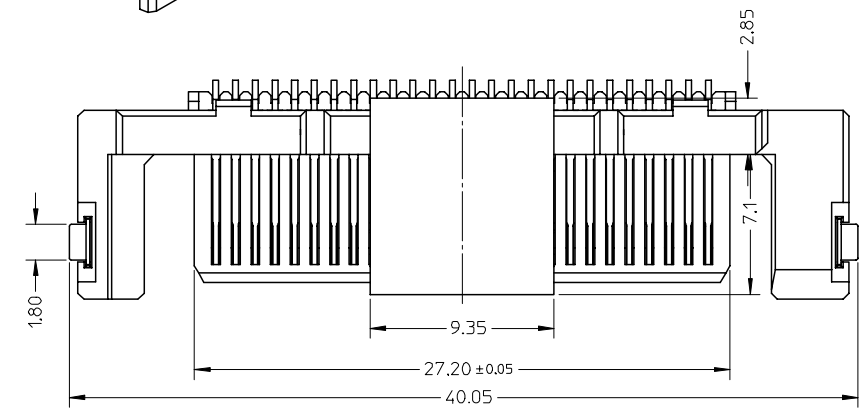
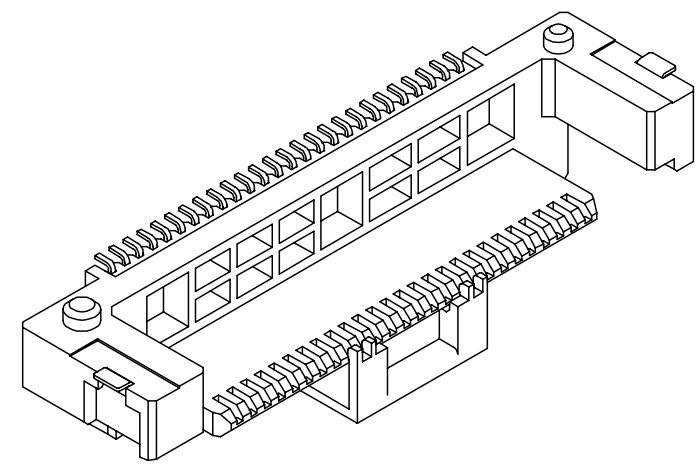
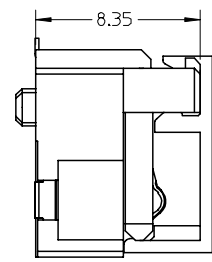
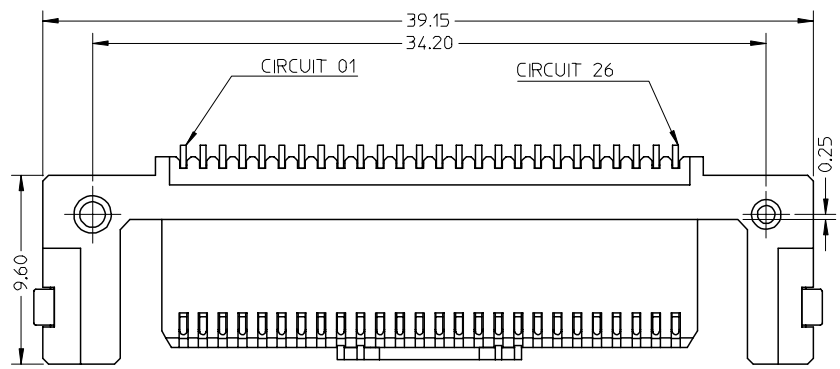
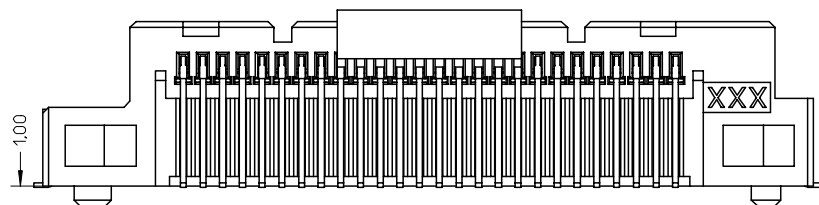
- NOTES:
- CONNECTOR DESIGN BASED ON EXPRESSCARD STANDARD,
  - COMPONENTS:  
 HEADER: SHEET 2  
 EJECTOR: SHEET 3
  - PCB LAYOUT PLEASE REFER TO SHEET 4;
  - TAIL COMPLANARITY OF HEADER TO BE 0.10 MAXIMUM;  
 TRUE POSITION IS 0.15 MAXIMUM BETWEEN SOLDER TAILS;
  - NON REFLOW PROCESS FOR CARD CAGE.
  - SCREW FASTENING TORQUE: 1.0 KGF-CM;
  - PRODUCT SPECIFICATION PLEASE REFER TO PS-47277-001.

F  
E  
D  
C  
B  
A

10 9 8 7 6 5 4 3 2 1

<b>NEW RELEASE</b> EC NO: SH2007-0841 DRWN:RBIAN 2007/05/31 CHKD:HWANG 2007/05/31 APPR: JNCHEN 2007/06/13	QUALITY SYMBOLS	GENERAL TOLERANCES (UNLESS SPECIFIED)	DIMENSION STYLE	SCALE	DESIGN UNITS	THIRD ANGLE PROJECTION																		
	$\nabla = 0$ $\triangle = 0$	<table border="1"> <thead> <tr> <th></th> <th>mm</th> <th>INCH</th> </tr> </thead> <tbody> <tr> <td>4 PLACES</td> <td>± ---</td> <td>± ---</td> </tr> <tr> <td>3 PLACES</td> <td>± ---</td> <td>± ---</td> </tr> <tr> <td>2 PLACES</td> <td>± 0.25</td> <td>± ---</td> </tr> <tr> <td>1 PLACE</td> <td>± 0.30</td> <td>± ---</td> </tr> <tr> <td colspan="3">ANGULAR ± 3 °</td> </tr> </tbody> </table>		mm	INCH	4 PLACES	± ---	± ---	3 PLACES	± ---	± ---	2 PLACES	± 0.25	± ---	1 PLACE	± 0.30	± ---	ANGULAR ± 3 °			MM ONLY	2:1	METRIC	
		mm	INCH																					
	4 PLACES	± ---	± ---																					
3 PLACES	± ---	± ---																						
2 PLACES	± 0.25	± ---																						
1 PLACE	± 0.30	± ---																						
ANGULAR ± 3 °																								
DESCRIPTION	DRAFT WHERE APPLICABLE MUST REMAIN WITHIN DIMENSIONS	DRAWN BY: R.BIAN CHECKED BY: HWANG APPROVED BY: JNCHEN MATERIAL NO.: N/A	DATE: 2006/11/29 DATE: 2006/12/04 DATE: 2006/12/05	TITLE	EXPRESSCARD 34MM BOTTOM MOUNT WITH 3.2MM STAND OFF PUSH-PUSH TYPE																			
REV					MOLEX INCORPORATED DOCUMENT NO.: SD-47322-002	SHEET NO.: 1 OF 4																		

9 8 7 6 5 4 3 2 1



- NOTES:
- CONNECTOR DESIGN BASED ON EXPRESSCARD STANDARD,
  - MATERIAL:  
HOUSING: LCP, UL94 V-0,  
TERMINAL: PHOSPHOR BRONZE,  
FITTING NAIL: PHOSPHOR BRONZE,
  - FINISH:  
TERMINAL:  
UNDERPLATING: Ni OVERALL,  
SELECTIVE GOLD ON CONTACT AREA,  
THICKNESS: 15 MICRINCH MINIMUM,  
SELECTIVE PURE TIN ON SOLDER TAIL AREA,  
THICKNESS: 40~100 MICRINCH,
  - COPLANARITY AT SOLDER TAIL TO BE 0.10 MAXIMUM,
  - APPLICABLE CARD CAGE PLEASE REFER TO SHEET 3,
  - PRODUCT SPECIFICATION PLEASE REFER TO PS-47322-001,
  - THE PART COMPLIANT TO RoHS DIRECTIVE 2002/95/EC AND ELV 2000/53/EC.

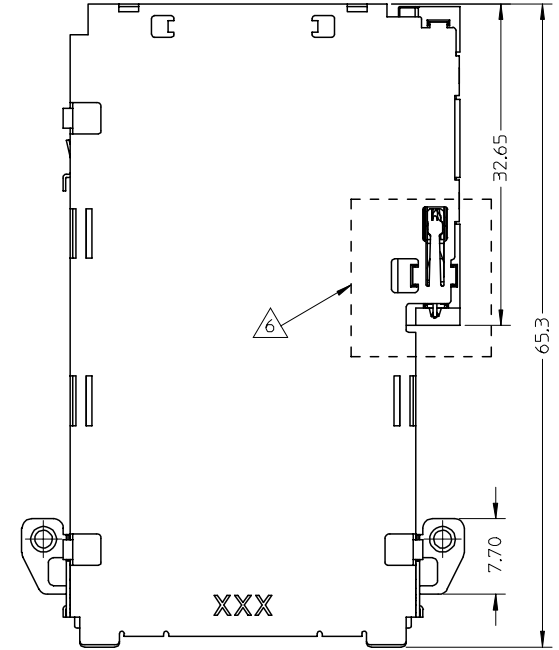
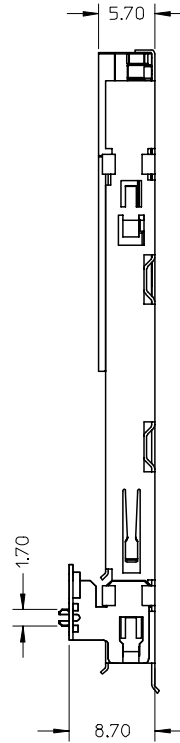
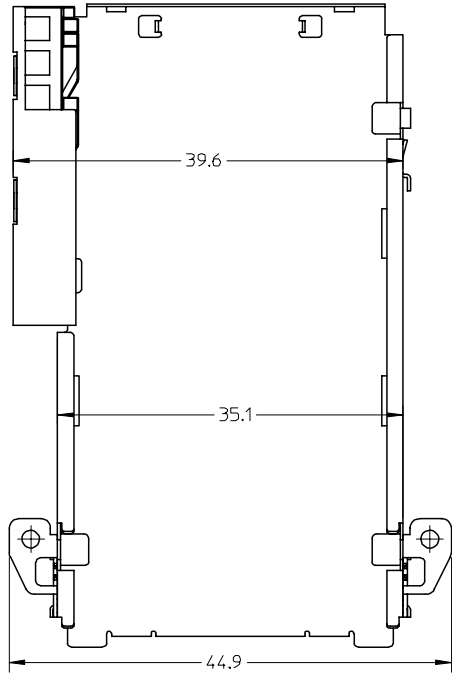
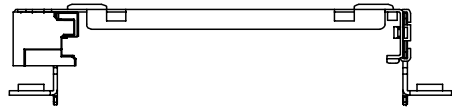
NEW RELEASE	2007/05/31
EC NO: SH2007-0841	2007/05/31
DRWN:RBIAN	2007/05/31
CHKD:HWANG	2007/05/31
APPR: JNCHEN	2007/06/13

REV	DESCRIPTION
A	

QUALITY SYMBOLS	DESCRIPTION
▽=0	
▽=0	

GENERAL TOLERANCES (UNLESS SPECIFIED)	
mm	INCH
4 PLACES ± ---	± ---
3 PLACES ± ---	± ---
2 PLACES ± 0.25	± ---
1 PLACE ± 0.30	± ---
ANGULAR ± 3 °	

DIMENSION STYLE		SCALE	DESIGN UNITS	THIRD ANGLE PROJECTION
MM ONLY		NTS	METRIC	
DRAWN BY	DATE	TITLE		
R.BIAN	2006/11/29	EXPRESSCARD 34MM		
CHECKED BY	DATE	BOTTOM MOUNT WITH 3.2MM		
HWANG	2006/12/04	STAND OFF PUSH-PUSH TYPE		
APPROVED BY	DATE	MOLEX INCORPORATED		
JNCHEN	2006/12/05			
MATERIAL NO.	DOCUMENT NO.	SHEET NO.		
47322-0322	SD-47322-002	2 OF 4		
DRAFT WHERE APPLICABLE MUST REMAIN WITHIN DIMENSIONS				
THIS DRAWING CONTAINS INFORMATION THAT IS PROPRIETARY TO MOLEX INCORPORATED AND SHOULD NOT BE USED WITHOUT WRITTEN PERMISSION				



NOTES:

1. CONNECTOR DESIGN BASED ON EXPRESSCARD STANDARD;
2. THIS SLOT CAN ACCEPT ONLY 34MM EXPRESSCARD;
3. PRODUCT SPECIFICATION PLEASE REFER TO PS-47277-001;
4. MATERIAL:

COIL SPRING: PIANO WIRE

EJECTOR HOUSING: NYLON 46, UL94 V-0,

HOUSING SLOT: NYLON 46, UL94 V-0,

SHELL: STAINLESS STEEL,

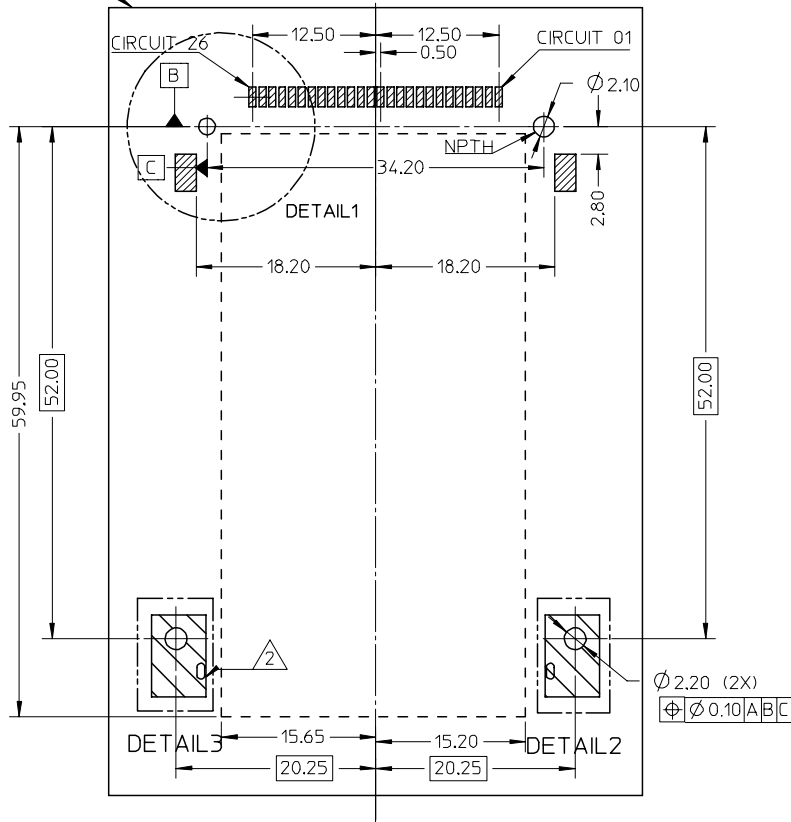
CAM PIN: STAINLESS STEEL,

5. THE PART COMPLIANT TO ROHS DIRECTIVE 2002/95/EC AND ELV 2000/53/EC.

△6. ANY FORCE ON THIS AREA IS PROHIBITED.

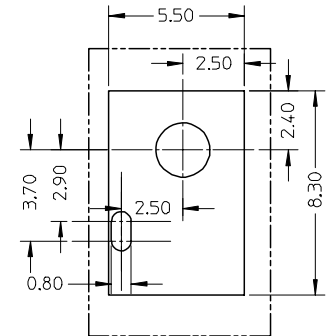
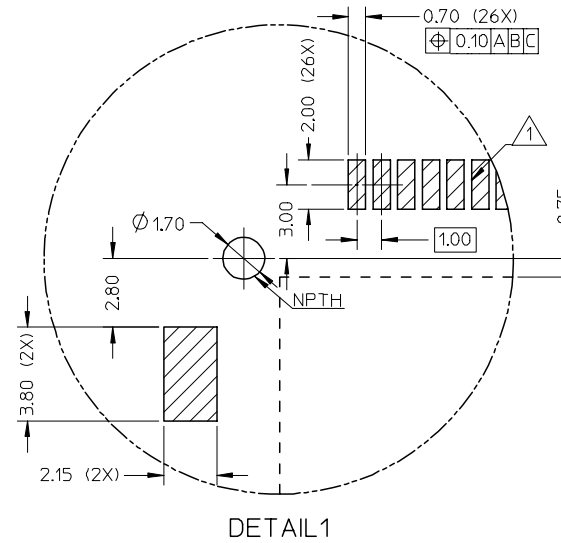
<b>NEW RELEASE</b> EC NO: SH2007-0841 DRWN:RB IAN 2007/05/31 CHKD:HWANG 2007/05/31 APPR: JNCHEN 2007/06/13	DESCRIPTION REV	QUALITY SYMBOLS ▽=0 ▽C=0	GENERAL TOLERANCES (UNLESS SPECIFIED)		DIMENSION STYLE <b>MM ONLY</b>		SCALE NTS	DESIGN UNITS METRIC	THIRD ANGLE PROJECTION																		
			<table border="1"> <thead> <tr> <th></th> <th>mm</th> <th>INCH</th> </tr> </thead> <tbody> <tr> <td>4 PLACES</td> <td>± ---</td> <td>± ---</td> </tr> <tr> <td>3 PLACES</td> <td>± ---</td> <td>± ---</td> </tr> <tr> <td>2 PLACES</td> <td>± 0.25</td> <td>± ---</td> </tr> <tr> <td>1 PLACE</td> <td>± 0.30</td> <td>± ---</td> </tr> </tbody> </table>		mm	INCH	4 PLACES	± ---	± ---	3 PLACES	± ---	± ---	2 PLACES	± 0.25	± ---	1 PLACE	± 0.30	± ---	DRAWN BY R. B IAN		DATE 2006/11/29		TITLE <b>EXPRESSCARD 34MM          BOTTOM MOUNT WITH 3.2MM          STAND OFF PUSH-PUSH TYPE</b>				
			mm	INCH																							
		4 PLACES	± ---	± ---																							
3 PLACES	± ---	± ---																									
2 PLACES	± 0.25	± ---																									
1 PLACE	± 0.30	± ---																									
	DRAFT WHERE APPLICABLE MUST REMAIN WITHIN DIMENSIONS		CHECKED BY HWANG		DATE 2006/12/04																						
			APPROVED BY JNCHEN		DATE 2006/12/05		MOLEX INCORPORATED																				
			MATERIAL NO. <b>47322-0323</b>		DOCUMENT NO. <b>SD-47322-002</b>		SHEET NO. <b>3 OF 4</b>																				

DATUM "A" IS THE TOP SURFACE OF PCB

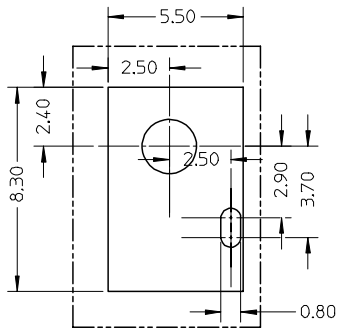


NOTES:

- 1. SOLDER PAD AREA
- 2. GROUNDING PAD AREA
- 3. STAND OFF AREA, AVAILABLE COMPONENTS HEIGHT: 2.70mm.



RECOMMENDED PCB LAYOUT  
COMPONENT SIDE



DETAIL 3

<p>NEW RELEASE EC NO: SH2007-0841 DRAWN: RB IAN CHKD: HWANG APPR: JNCHEN</p>	<p>2007/05/31 2007/05/31 2007/06/13</p>	<p>DESCRIPTION A</p>	<p>QUALITY SYMBOLS ▽=0 ▽C=0</p>	GENERAL TOLERANCES (UNLESS SPECIFIED)		DIMENSION STYLE	SCALE	DESIGN UNITS	THIRD ANGLE PROJECTION		
				mm	INCH	MM ONLY	NTS	METRIC	⊙ □		
				4 PLACES ± --- ± ---		DRAWN BY	DATE	TITLE			
				3 PLACES ± --- ± ---		R. BIAN	2006/11/29	EXPRESSCARD 34MM BOTTOM MOUNT WITH 3.2MM STAND OFF PUSH-PUSH TYPE			
		2 PLACES ± 0.05 ± ---		CHECKED BY	DATE	MOLEX INCORPORATED					
		1 PLACE ± --- ± ---		HWANG	2006/12/04	SD-47322-002					
		ANGULAR ± 3 °		APPROVED BY	DATE	SHEET NO.					
				JNCHEN	2006/12/05	4 OF 4					
				MATERIAL NO.		DOCUMENT NO.					
						SD-47322-002					
				DRAFT WHERE APPLICABLE MUST REMAIN WITHIN DIMENSIONS		SIZE		THIS DRAWING CONTAINS INFORMATION THAT IS PROPRIETARY TO MOLEX INCORPORATED AND SHOULD NOT BE USED WITHOUT WRITTEN PERMISSION			
						A3					