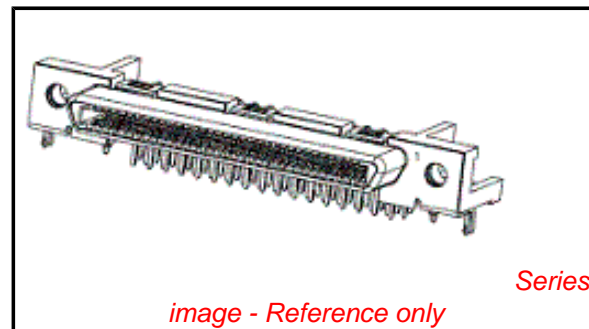


**PLEASE CHECK WWW.MOLEX.COM FOR LATEST PART INFORMATION**

**Part Number:** [0714300268](#)  
**Status:** **Active**  
**Description:** 0.80mm (.031") Pitch Ultra+™ VHDCI Receptacle, Right Angle, with or without Enhanced Shield, 68 Circuits

**Documents:**

<a href="#">3D Model</a>	<a href="#">Product Specification PS-71425-9999 (PDF)</a>
<a href="#">Test Summary (PDF)</a>	<a href="#">RoHS Certificate of Compliance (PDF)</a>
<a href="#">Drawing (PDF)</a>	



*image - Reference only*

**Agency Certification**

CSA	LR19980
UL	E29179

**General**

Product Family	I/O Connectors
Series	<a href="#">71430</a>
Application	Wire-to-Board
Component Type	Receptacle
Product Name	SCSI+, VHDCI
Type	N/A

**Physical**

Boot Color	N/A
Circuits (Loaded)	68
Circuits (maximum)	68
Color - Resin	Black
Durability (mating cycles max)	500
Flammability	94V-0
Gender	Receptacle
Lock to Mating Part	Yes
Material - Metal	Brass
Material - Plating Mating	Gold
Material - Resin	High Temperature Thermoplastic
Number of Rows	2
Orientation	Right Angle
PC Tail Length (in)	0.107 In
PC Tail Length (mm)	2.71 mm
PCB Locator	Yes
PCB Retention	Yes
PCB Thickness Recommended (in)	0.093 In
PCB Thickness Recommended (mm)	2.36 mm
Packaging Type	Tube
Panel Mount	Yes
Pitch - Mating Interface (in)	0.031 In
Pitch - Mating Interface (mm)	0.80 mm
Pitch - Term. Interface (in)	0.031 In
Pitch - Term. Interface (mm)	0.80 mm
Polarized to Mating Part	Yes
Polarized to PCB	Yes
Ports	1
Surface Mount Compatible (SMC)	Yes
Temperature Range - Operating	-55°C to +85°C
Termination Interface: Style	Through Hole
Waterproof / Dustproof	No
Wire Size AWG	N/A

**EU RoHS**

**RoHS Compliant by Exemption**

**REACH SVHC**

Not Reviewed

**Halogen-Free**

**Status**

**Not Reviewed**

**China RoHS**



**Need more information on product environmental compliance?**

Email [productcompliance@molex.com](mailto:productcompliance@molex.com)  
 For a multiple part number RoHS Certificate of Compliance, [click here](#)

Please visit the [Contact Us](#) section for any non-product compliance questions.

**Search Parts in this Series**

[71430Series](#)

**Mates With**

[71425 Ultra+™ VHDCI Plug Kit](#)

**Electrical**

Current - Maximum per Contact	0.5A
Shield Type	Without Enhanced Shield
Shielded	Yes
Voltage - Maximum	30V AC (RMS)/DC

**Solder Process Data**

Duration at Max. Process Temperature (seconds)	40
Lead-free Process Capability	Wave Capable (TH only)
Max. Cycles at Max. Process Temperature	3
Process Temperature max. C	245

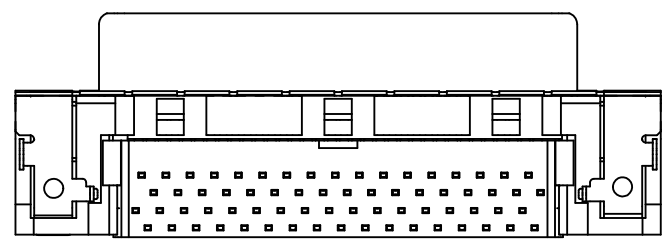
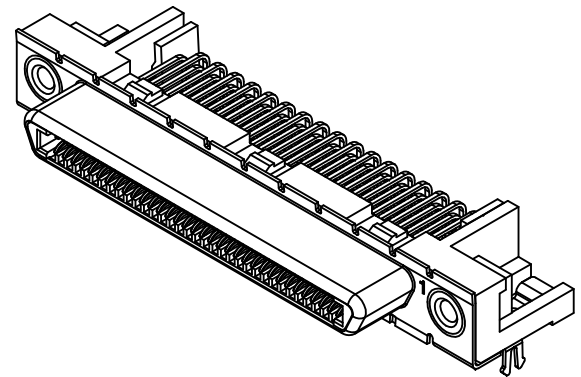
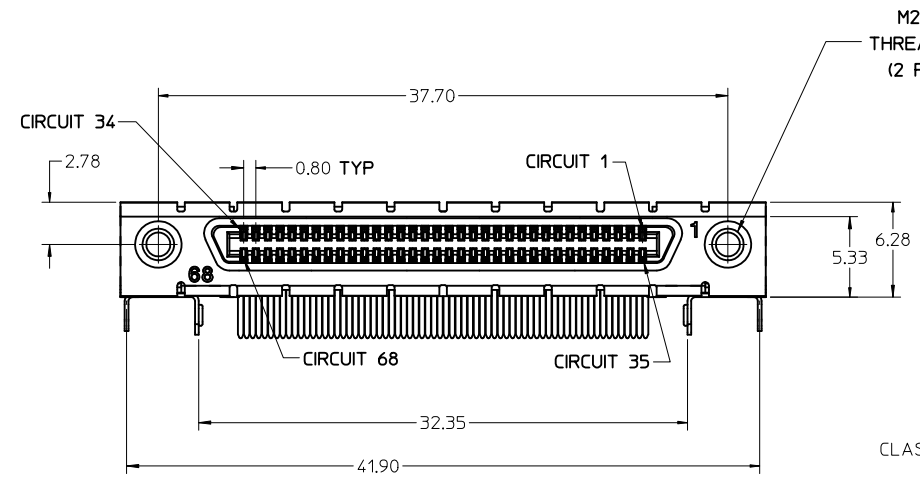
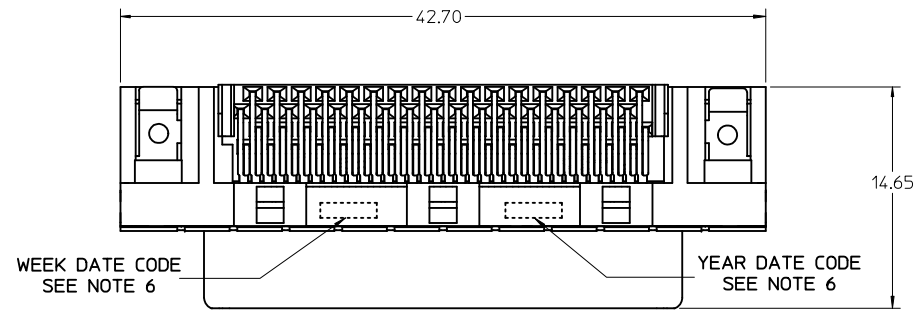
**Material Info****Reference - Drawing Numbers**

Product Specification	PS-71425-9999
Sales Drawing	SD-71430-015

This document was generated on 04/05/2010

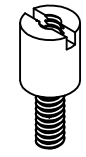
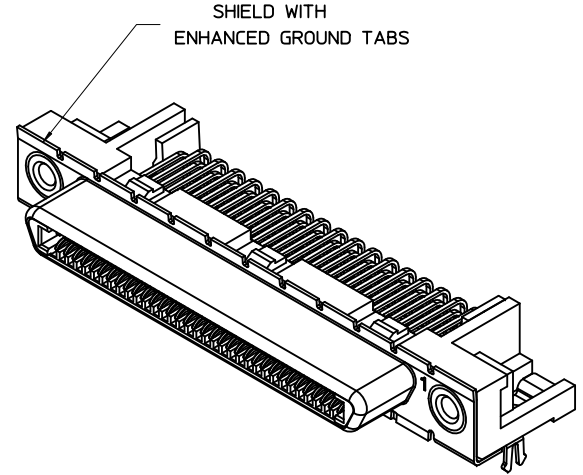
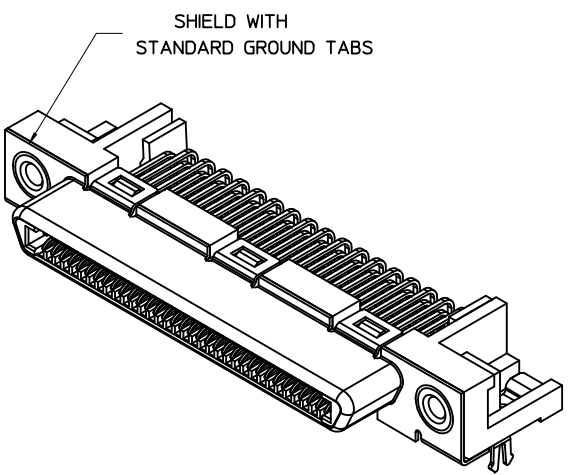
**PLEASE CHECK [WWW.MOLEX.COM](http://WWW.MOLEX.COM) FOR LATEST PART INFORMATION**

- NOTES:**
- MATERIALS:**  
 HOUSING: HIGH TEMPERATURE THERMOPLASTIC, UL94 V-0, COLOR:BLACK  
 TAIL ALIGNER: HIGH TEMPERATURE THERMOPLASTIC,  
 TERMINAL: HIGH PERFORMANCE COPPER ALLOY  
 BRACKET: BRASS  
 SHELL: STEEL  
 INSERT: BRASS
  - FINISHES:**  
 TERMINAL: 0.05-0.25 MICROMETERS GOLD FLASH IN CRITICAL AREA  
 OVER 0.75 MICROMETERS MINIMUM PALLADIUM NICKEL IN  
 CRITICAL AREA. 1.87 MICROMETERS MINIMUM TIN IN  
 SOLDER TAIL AREA OVER 1.25 MICROMETERS MINIMUM NICKEL.  
 BRACKET: 5.0 MICROMETERS BRIGHT TIN OVER 2.50 MICROMETERS COPPER.  
 SHIELD: 3.8 MICROMETERS MINIMUM BRIGHT TIN OVER 1.3 MICROMETERS  
 MINIMUM NICKEL OVER COPPER FLASH (OPTIONAL).  
 INSERT: 2.54 MICROMETERS MINIMUM NICKEL.
  - PART PERFORMS TO MOLEX PRODUCT SPECIFICATION  
 PS-71425-9999.**
  - PACKAGE PER PK-71430-0101.**
  - APPLICABLE STANDARDS: EIA-3652 AND SFF-8441.**
  - DATE CODE: YR/WK PER EIA-476-A.**
  - PRODUCT COMPLIES WITH COSMETIC SPECIFICATION PS-45499-002.  
 SEE SIDE VIEW FOR SURFACE CLASSIFICATIONS.**
  - TORQUE TO INSTALL SCREWLOCKS INTO THREADED INSERTS:  
 0.34 Nm MAXIMUM.**



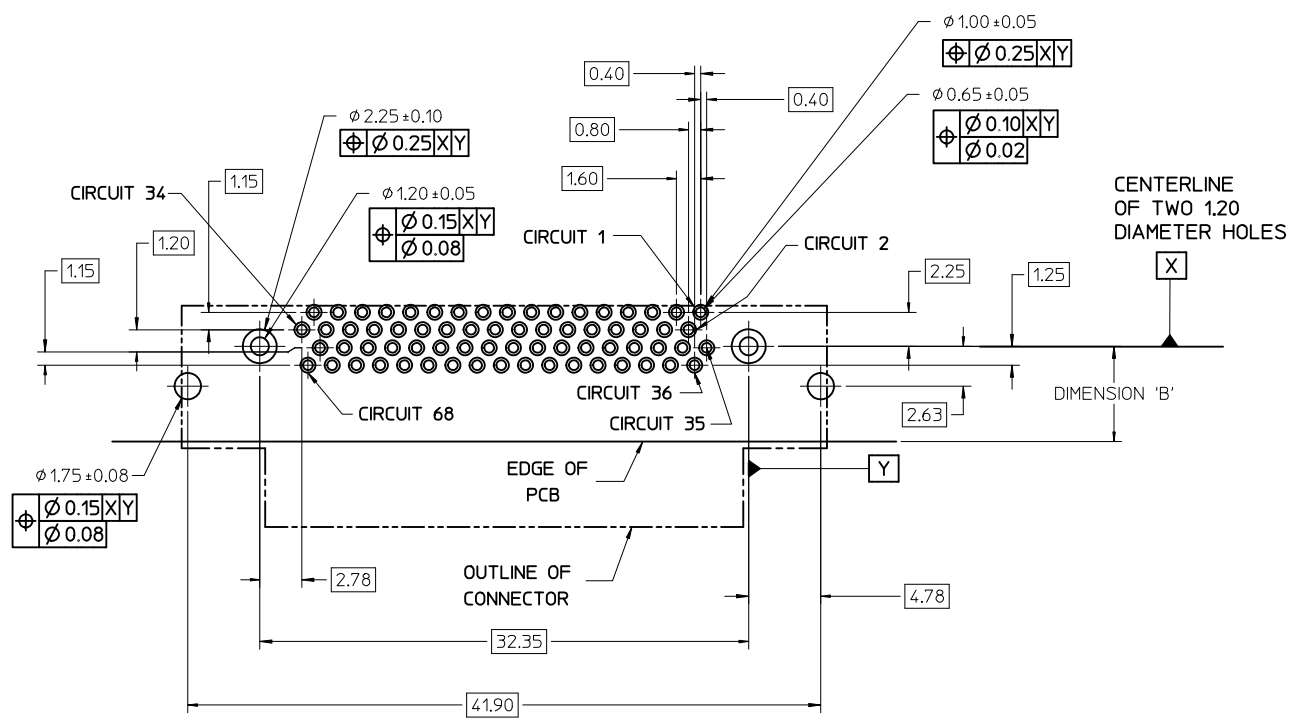
<b>CHANGE PACKAGING</b> EC NO: UCP2010-1970 DRW:MSIBARRA 2010/02/11 CHKD:BBARKER 11/15/2002 APPR:SMILLER 2010/04/20	QUALITY SYMBOLS ∇=0 ∇=0 ∇=0	GENERAL TOLERANCES (UNLESS SPECIFIED)		DIMENSION STYLE <b>MM ONLY</b>		SCALE 4:1	DESIGN UNITS METRIC	THIRD ANGLE PROJECTION			
		4 PLACES ± --- ± ---	3 PLACES ± --- ± ---	2 PLACES ± 0.13 ± ---	1 PLACE ± 0.25 ± ---	DRAWN BY KSTILES	DATE 11/14/2002	TITLE <b>VHDCI RIGHT ANGLE ASSEMBLY</b>			
		ANGULAR ±1/2°				APPROVED BY MBNAKIS	DATE 11/22/2002	MOLEX INCORPORATED			
		DRAFT WHERE APPLICABLE MUST REMAIN WITHIN DIMENSIONS				MATERIAL NO. <b>SEE TABLE</b>	DOCUMENT NO. <b>SD-71430-015</b>	SHEET NO. 1 OF 3			

PCB THICKNESS	PART NUMBER	TAIL LENGTH 'T'	ENHANCED GROUND TABS	SCREWLOCKS	TAIL LOC. 'A'	HOLE LOCATION 'B'
1.60	71430-0101	2.08	NO	NONE	5.50	6.50 MAXIMUM
1.60	71430-0007	2.08	NO	LOOSE IN BAGS		
1.60	71430-0005	2.08	YES	NONE		
1.60	71430-0008	2.08	YES	LOOSE IN BAGS		
2.36	71430-0268	2.71	NO	NONE		
2.36	71430-0006	2.71	NO	INSTALLED		
2.36	71430-0004	2.71	YES	NONE		
2.36	71430-0009	2.71	YES	INSTALLED		
2.36	71430-0016	2.71	NO	LOOSE IN BAGS		
2.36	71430-0019	2.71	YES	LOOSE IN BAGS		
2.36	71430-0012	2.71	YES	NONE	5.30	6.30 MAXIMUM
1.60	71430-0013	2.08	YES	NONE		



OPTIONAL SCREWLOCK  
PART NUMBER 71433-0002

SEE SHEET 1 EC NO: UCP2010-1970 DRAWN BY: BARRA 2010/02/11 CHKD: BARKER 11/15/2002 APPR: MILLER 2010/04/20	QUALITY SYMBOLS ▽=0 ▽=0 ▽=0	GENERAL TOLERANCES (UNLESS SPECIFIED)		DIMENSION STYLE <b>MM ONLY</b>		SCALE 4:1	DESIGN UNITS METRIC	THIRD ANGLE PROJECTION		
		4 PLACES ± --- ± ---	mm	INCH	DRAWN BY KSTILES	DATE 11/14/2002	<b>VHDCI RIGHT ANGLE ASSEMBLY</b>			
		3 PLACES ± --- ± ---			CHECKED BY	DATE				
		2 PLACES ± 0.13 ± ---			KSTILES	11/15/2002	<b>MOLEX INCORPORATED</b> SD-71430-015			
1 PLACE ± 0.25 ± ---			APPROVED BY MBNAKIS	DATE 11/22/2002						
		ANGULAR ±1/2°		MATERIAL NO.		DOCUMENT NO.		SHEET NO. 2 OF 3		
		DRAFT WHERE APPLICABLE MUST REMAIN WITHIN DIMENSIONS		SEE TABLE		THIS DRAWING CONTAINS INFORMATION THAT IS PROPRIETARY TO MOLEX INCORPORATED AND SHOULD NOT BE USED WITHOUT WRITTEN PERMISSION				



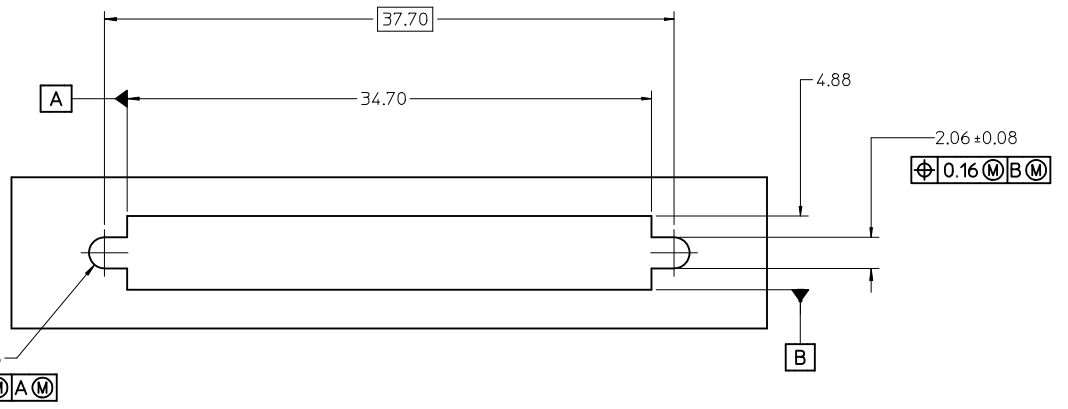
**NOTES:**

1. FOR FULL MATE WITH PLUG, PANEL THICKNESS SHOULD NOT EXCEED 1.0mm.

FUNCTIONAL MATING WITH MOLEX PLUG CAN STILL BE MAINTAINED WITH PANELS AS THICK AS 2.5mm (BUT PLUG AND RECEPTACLE WILL NOT BE FULLY MATED).

**2. GUIDELINES FOR CHOOSING A MOLEX SCREWLOCK:**

PANEL THICKNESS	RECOMMENDED SCREWLOCK
LESS THAN OR EQUAL TO 1.00 MM	71433-0002
1.01 TO 2.15 MM	71433-0010



<b>SEE SHEET 1</b> EC NO: UCP2010-1970 DRWN:MS BARRA 2010/02/11 CHKD:BBARKER 11/15/2002 APPR:SMILLER 2010/04/20	QUALITY SYMBOLS ▽=0 ▽=0 ▽=0	GENERAL TOLERANCES (UNLESS SPECIFIED)		DIMENSION STYLE <b>MM ONLY</b>		SCALE 4:1	DESIGN UNITS METRIC	THIRD ANGLE PROJECTION			
		4 PLACES ± --- ± ---	3 PLACES ± --- ± ---	2 PLACES ± 0.13 ± ---	1 PLACE ± 0.25 ± ---	DRAWN BY KSTILES	DATE 11/14/2002	TITLE <b>VHDCI RIGHT ANGLE ASSEMBLY</b>			
		ANGULAR ± 1/2°				APPROVED BY MBNAKIS	DATE 11/22/2002	MOLEX INCORPORATED			
		DRAFT WHERE APPLICABLE MUST REMAIN WITHIN DIMENSIONS				MATERIAL NO. SEE TABLE	DOCUMENT NO. SD-71430-015	SHEET NO. 3 OF 3			

THIS DRAWING CONTAINS INFORMATION THAT IS PROPRIETARY TO MOLEX INCORPORATED AND SHOULD NOT BE USED WITHOUT WRITTEN PERMISSION