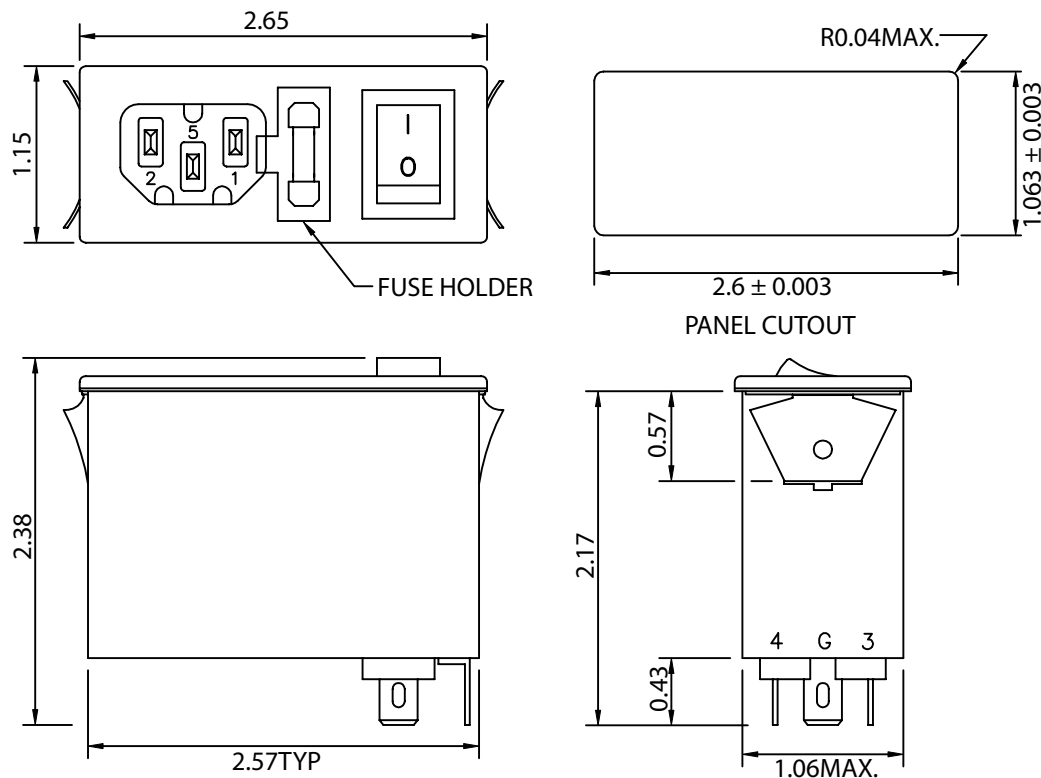


THESE DRAWINGS ARE THE PROPERTY OF QUALTEK ELECTRONICS AND NOT TO BE REPRODUCED FOR OR COMMUNICATED TO A THIRD PARTY WITHOUT THE EXPRESS WRITTEN PERMISSION OF AN OFFICER OF QUALTEK ELECTRONICS.

REVISION			
REV.	DESCRIPTION	DATE	APPROVED
B	RoHS Compliance	06-01-06	DP

### 1. PHYSICAL DIMENSIONS



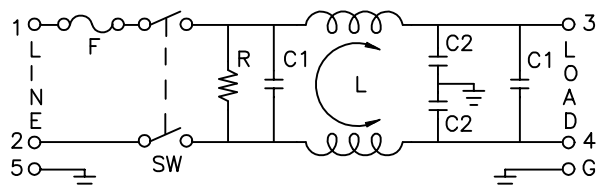
### ELECTRICAL CHARACTERISTICS:

- 1-1. VOLTAGE RATING.....115/250VAC
- 1-2. CURRENT RATING  
A. @ 115 VAC.....6 A RMS MAX  
B. @ 250 VAC.....4 A RMS MAX
- 1-3. OPERATING FREQUENCY.....50/60Hz
- 1-4. LEAKAGE CURRENT: EACH LINE TO GROUND  
A. @ 115 VAC 60Hz.....0.25 mA MAX  
B. @ 250 VAC 50Hz.....0.45 mA MAX
- 1-5. HIPOT RATING (FOR ONE MINUTE)  
A. LINE TO GROUND.....2250 VDC  
B. LINE TO LINE.....1450 VDC
- 1-6. MINIMUM INSERTION LOSS IN dB: (AT 50 OHM SYSTEM)

FREQ. MHz	.01	.05	.10	.15	.50	1.0	5.0	10	30
COM. MODE dB	/	/	15	16	25	30	42	45	40
DIF. MODE dB	/	/	6	6	30	48	40	40	40

- 1-7. OPERATING TEMPERATURE.....-25° TO +85° C
- 1-8. SAFETY:
- 1-9. RoHS COMPLIANT

### 2. ELECTRICAL SCHEMATIC



L: 1.3mH  
C1: 0.1uF  
C2: 3300pF  
R: 2.2MΩ

#### NOTES:

1. MOUNTING PANEL THICKNESS 0.04 TO 0.07 INCHES,

**CONTROLLED**

Dim range (mm)	Tolerance +/- (mm)	Qualtek Electronics Corp. PPC DIVISION		
		Part Number: 862-06/003		
0-1	0.15	Description: EMI FILTER		
1-6	0.20		UNIT: in	REV. B
6-18	0.30			
18-50	0.50			
50-120	0.70	Drawn / Date	Checked / Date	Approved / Date
120-250	0.90	B.ZHANG 01-16-03	01-16-03	JJH / 01-16-03
250-500	1.20			