

PLEASE CHECK WWW.MOLEX.COM FOR LATEST PART INFORMATION

Part Number: [0365150194](#)
Status: **Active**
Overview: [din_41612](#)
Description: 2.54mm (.100") Pitch DIN 41612 R Style Male Header with Wire-Wrap, Vertical, Through Hole Press-Fit, 0.60µm (24µ") Selective Gold (Au) Plating, 64 Circuits, without Mounting Clips, No First-Mate-Last-Break, Solder tail Length 4.00mm(.157"), Lead Free

Documents:

[Drawing \(PDF\)](#) [RoHS Certificate of Compliance \(PDF\)](#)
[Product Specification PS-36515-001 \(PDF\)](#)

General

Product Family	Backplane Connectors
Series	36515
Application	Backplane
Comments	No Mounting Clips, Secured with Tubular Rivets/ Cheesehead Screws. No First-Mate-Last-Break
Component Type	PCB Header
Overview	din_41612
Product Name	IEC 603-2/DIN 41612
Style	R

Physical

Circuits (Loaded)	64
Circuits (maximum)	64
Circuits Detail	1,2,3,...32; a+c
Color - Resin	Gray
Durability (mating cycles max)	400
First Mate / Last Break	No
Guide to Mating Part	No
Keying to Mating Part	Yes
Material - Metal	Phosphor Bronze
Material - Plating Mating	Gold
Material - Plating Termination	Nickel
Material - Resin	Polyester
Number of Columns	32
Number of Pairs	Open Pin Field
Number of Rows	2
Orientation	Vertical
PC Tail Length (in)	0.157 In
PC Tail Length (mm)	4.00 mm
PCB Locator	No
PCB Retention	Yes
PCB Thickness Recommended (in)	0.063 In
PCB Thickness Recommended (mm)	1.60 mm
Packaging Type	Carton
Pitch - Mating Interface (in)	0.100 In
Pitch - Mating Interface (mm)	2.54 mm
Pitch - Term. Interface (in)	0.100 In
Pitch - Term. Interface (mm)	2.54 mm
Plating min: Mating (µin)	24
Plating min: Mating (µm)	0.60
Plating min: Termination (µin)	49
Plating min: Termination (µm)	1.25
Polarized to PCB	No
Stackable	No

EU RoHS
ELV and RoHS
Compliant
REACH SVHC
 Not Reviewed
Halogen-Free
Status
Not Reviewed

China RoHS



Need more information on product environmental compliance?

Email productcompliance@molex.com
 For a multiple part number RoHS Certificate of Compliance, [click here](#)

Please visit the [Contact Us](#) section for any non-product compliance questions.

Search Parts in this Series
[36515Series](#)

Surface Mount Compatible (SMC)	No
Temperature Range - Operating	-55°C to +125°C
Termination Interface: Style	Through Hole - Compliant Pin, Wire Wrap

Electrical

Current - Maximum per Contact	1A
Data Rate	622.0 Mbps
Voltage - Maximum	250V AC (RMS)

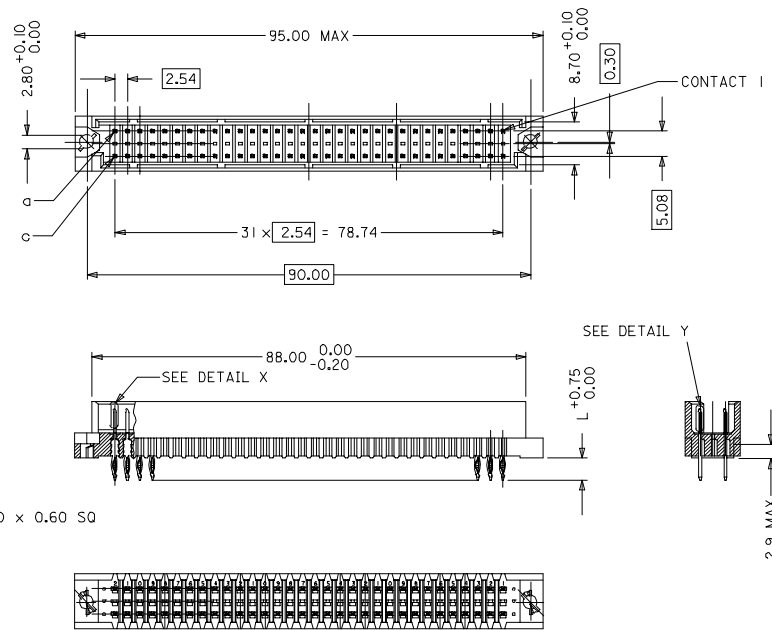
Material Info

Reference - Drawing Numbers

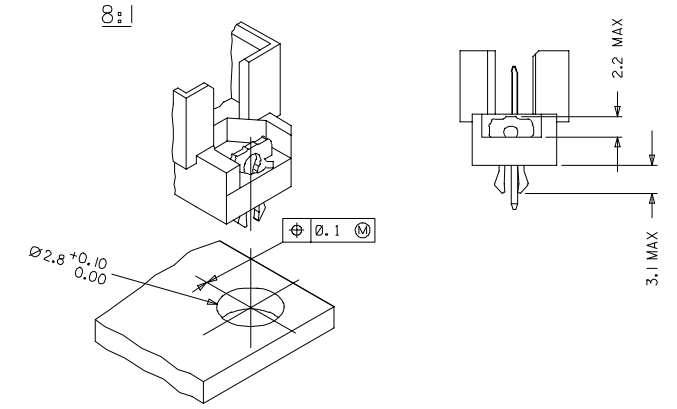
Product Specification	PS-36515-001
Sales Drawing	SD-36515-009

This document was generated on 05/13/2010

PLEASE CHECK WWW.MOLEX.COM FOR LATEST PART INFORMATION

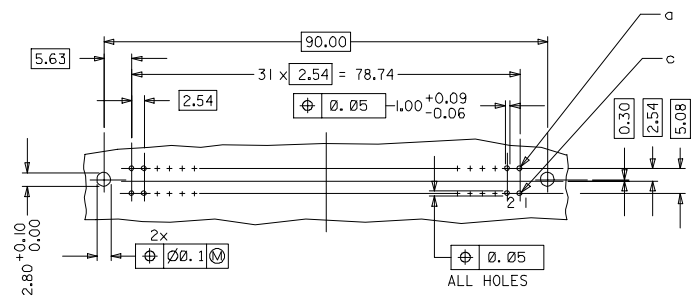


WITH MOUNTING CLIPS



- NOTES:
- MATERIALS: THERMOPLASTIC POLYESTER, GLASS FILLED, UL94V-0, COLOUR: PEBBLE GREY RAL 7032
TERMINAL - PHOSPHOR BRONZE
MOUNTING CLIP: STEEL
 - FINISH: TERMINAL:-
CONTACT AREA:
1. PERFORMANCE LEVEL 1: SELECTIVE GOLD (Au), THICKNESS = 1.1 MICROMETER OVER NICKEL, THICKNESS = 1.25 MICROMETER
2. PERFORMANCE LEVEL 2: SELECTIVE GOLD (Au), THICKNESS = 0.6 MICROMETER OVER NICKEL, THICKNESS = 1.25 MICROMETER
3. PERFORMANCE LEVEL 3: SELECTIVE GOLD (Au), THICKNESS = 0.3 MICROMETER OVER NICKEL, THICKNESS = 1.25 MICROMETER
PRESS-IN AREA :
SELECTIVE TIN, THICKNESS = 2.5 MICROMETER OVER NICKEL, THICKNESS = 1.25 MICROMETER OVERALL
 - MOUNTING CLIP:-
TIN (Sn), THICKNESS = 5-10 MICROMETER, OVER NICKEL (Ni), THICKNESS = 2.5 MICROMETER
 - FOR NON MOUNTING CLIP OPTION, CONNECTOR TO BE SECURED WITH
RIVETS: 2 TUBULAR RIVETS 2.5 x 0.3 ... DIN 7340
SCREWS: 2 CHEESEHEAD SCREWS M2.5 x DIN 84 AND 2 HEXAGONAL NUTS M2.5 DIN 934
 - MATERIAL NUMBER, BATCH CODE, UL AND CSA MARKING TO BE PRINTED ON THE CONNECTOR
 - CUT FACE OF TIP WITHOUT PLATING PERMITTED
 - PRODUCT SPECIFICATION PS-36515-001

RECOMMENDED PCB LAYOUT COMPONENT SIDE

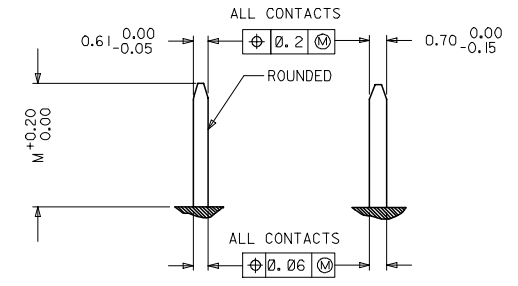


RoHS COMPLIANT

EC No: P007-0044 DRWNGSATTI/MARAD 2006/10/10 CHKDSSUDHIR 2006/10/11 APPR3SSUDHIR 2006/10/17	QUALITY SYMBOLS ▽=0 ▽=0	GENERAL TOLERANCES (UNLESS SPECIFIED) mm INCH		DIMENSION STYLE MM ONLY		SCALE 2:1	DESIGN UNITS METRIC	THIRD ANGLE PROJECTION
		4 PLACES ± --- ± --- 3 PLACES ± 0.05 ± --- 2 PLACES ± 0.1 ± --- 1 PLACE ± 0.15 ± ---	DRAWN BY SS 1999/09/24 CHECKED BY G.J.LOWE 1999/09/24 APPROVED BY G.J.LOWE 1999/09/24	DATE DATE DATE	TITLE ASSEMBLY, DIN 41612 R MALE, 64 POS A+C LOADED, PRESS-IN L=4	MATERIAL NO. SEE CHART	DOCUMENT NO. SD-36515-009	SHEET NO. 1 OF 2
DRAFT WHERE APPLICABLE MUST REMAIN WITHIN DIMENSIONS		THIS DRAWING CONTAINS INFORMATION THAT IS PROPRIETARY TO MOLEX INCORPORATED AND SHOULD NOT BE USED WITHOUT WRITTEN PERMISSION						

MATERIAL No.	MOLEX ENG No.	PERF LEVEL	PLATING	CONTACT SEQUENCE/ROW	DIM "L" MM	MOUNTING CLIP	FMLB
36515-0193	MM-B1463-R963	1	Au + Ni	1,2,3...32 a+c	4	NO	NO
36515-0194	MM-B1563-R963	2	Au + Ni	1,2,3...32 a+c	4	NO	NO
36515-0195	MM-B1663-R963	3	Au + Ni	1,2,3...32 a+c	4	NO	NO
					4	NO	
36515-0199	MM-B1463-R913	1	Au + Ni	1,2,3...32 a+c	4	YES	NO
36515-0200	MM-B1563-R913	2	Au + Ni	1,2,3...32 a+c	4	YES	NO
36515-0201	MM-B1663-R913	3	Au + Ni	1,2,3...32 a+c	4	YES	NO
36515-0205	MM-B1463-R933	1	Au + Ni	1,2,3...32 a+c	4	NO	1,32a 1,32c
36515-0206	MM-B1563-R933	2	Au + Ni	1,2,3...32 a+c	4	NO	1,32a 1,32c
36515-0207	MM-B1663-R933	3	Au + Ni	1,2,3...32 a+c	4	NO	1,32a 1,32c
36515-0211	MM-B1463-R953	1	Au + Ni	1,2,3...32 a+c	4	YES	1,32a 1,32c
36515-0212	MM-B1563-R953	2	Au + Ni	1,2,3...32 a+c	4	YES	1,32a 1,32c
36515-0213	MM-B1663-R953	3	Au + Ni	1,2,3...32 a+c	4	YES	1,32a 1,32c

DETAILY DETAILX



PRE MATING CONTACTS	5.4
NORMAL CONTACTS	4.8
	M

RoHS COMPLIANT

EC No: 2007/0044 DRINGSATTI/MARID 2006/10/10 CHIKKOSUDHIR 2006/10/11 APPRESSUDHIR 2006/10/17	QUALITY SYMBOLS	GENERAL TOLERANCES (UNLESS SPECIFIED)	DIMENSION STYLE	SCALE	DESIGN UNITS	THIRD ANGLE PROJECTION														
	▼=0 ▽=0	<table border="1"> <tr><th></th><th>mm</th><th>INCH</th></tr> <tr><td>4 PLACES</td><td>± 0.1</td><td>± 0.004</td></tr> <tr><td>3 PLACES</td><td>± 0.05</td><td>± 0.002</td></tr> <tr><td>2 PLACES</td><td>± 0.1</td><td>± 0.004</td></tr> <tr><td>1 PLACE</td><td>± 0.15</td><td>± 0.006</td></tr> </table>		mm	INCH	4 PLACES	± 0.1	± 0.004	3 PLACES	± 0.05	± 0.002	2 PLACES	± 0.1	± 0.004	1 PLACE	± 0.15	± 0.006	MM ONLY	2:1	METRIC
	mm	INCH																		
4 PLACES	± 0.1	± 0.004																		
3 PLACES	± 0.05	± 0.002																		
2 PLACES	± 0.1	± 0.004																		
1 PLACE	± 0.15	± 0.006																		
	DESCRIPTION	DRAFT WHERE APPLICABLE MUST REMAIN WITHIN DIMENSIONS	DRAWN BY: SS CHECKED BY: GJLOWE APPROVED BY: GJLOWE DATE: 1999/09/24	TITLE	ASSEMBLY, DIN 41612 R MALE, 64 POS A+C LOADED, PRESS-IN L=4															
			MATERIAL NO. SEE CHART SIZE: A 1	DOCUMENT NO. SD-36515-009 MOLEX INCORPORATED	SHEET NO. 2 OF 2															
			THIS DRAWING CONTAINS INFORMATION THAT IS PROPRIETARY TO MOLEX INCORPORATED AND SHOULD NOT BE USED WITHOUT WRITTEN PERMISSION																	