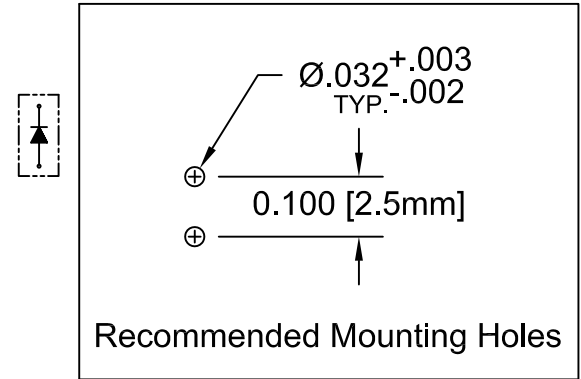
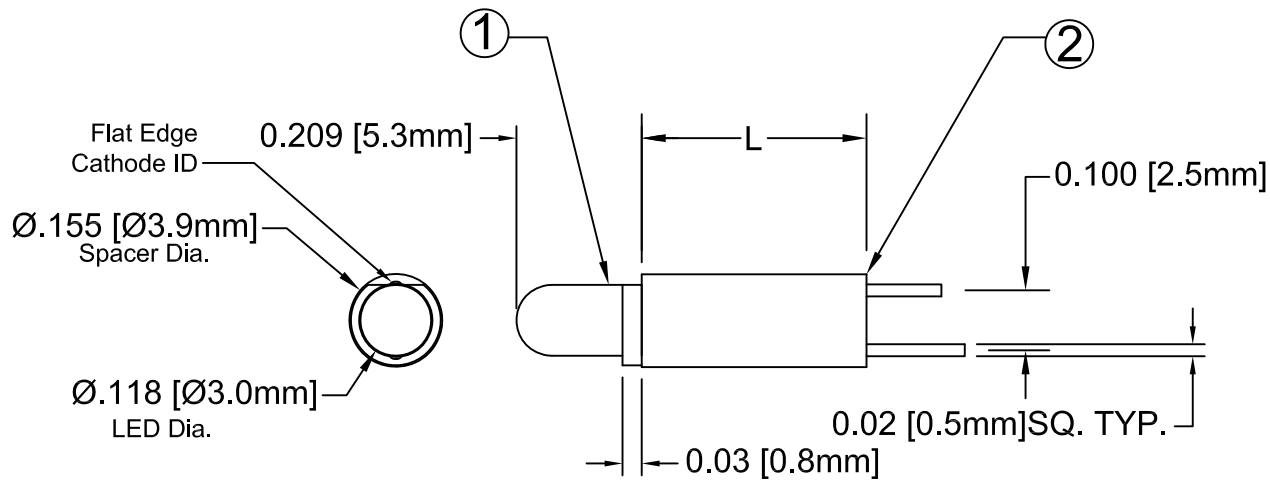


ITEM	Q'TY	PART NUMBER	PART DESCRIPTION
1	1	3XX5V-F	T-1 (3mm) Flanged LED, 5 Volt
2	1	ELM5XXX	Extruded, Self-Retaining Narrow LED Spacer

REV.	DESCRIPTION	DATE	APPROVED
A	Engineering Release.	07/25/07	M. C.
B	Updated Pg. 2 to contain -F LEDs	11/15/07	M. C.
C	Removed Tolerance Note.	09/03/08	M. C.




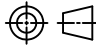
ABSOLUTE MAXIMUM RATINGS (Ta=25°C)

REVERSE CURRENT	100µA
OPERATING TEMPERATURE RANGE	-25° C - 85° C
STORAGE TEMPERATURE	-30° C - 100° C
LEAD SOLDERING TEMPERATURE(1/16" FROM BODY)	260° C FOR 5 SECONDS

STANDARD TOLERANCE (UNLESS OTHERWISE SPECIFIED)		BIVAR®	
DECIMALS	ANGULAR	4 THOMAS, IRVINE, CA. 92618	
.X ±.1	X° ± 1°	TEL: (949) 951-8808 FAX: (949) 951-3974	
.XX ±.02		TITLE: EXTRUDED VERTICAL T-1 (3mm) LED NARROW SPACER PROFILE ASSY	
.XXX ±.010		PART NO: ELM5XXX3XX5V	REVISION: C
DESIGNED: Dan Beckman	DATE: 07/25/07	CAGE CODE : 32559	SHEET # 1 OF 2
CHECKED: T. Yin	DATE: 07/25/07	CAD GENERATED DOCUMENT, DO NOT MEASURE DRAWING.	

REV.	DESCRIPTION	DATE	APPROVED
	SEE SHEET#1.		

LED Part No.	Chip			Lens Appearance	Absolute Max. Ratings				Electro-Optical Data @ 5V			Viewing Angle 2θ ½ (Deg)
	Material	Peak Wave Length λp(nm)	Emitted Color		Δλ (nm)	Pd (mW)	If (mA)	Peak If(mA)	Vf (V)		Iv (mcd)	
									TYP	MAX	TYP	
3GD5V-F	GaP/GaP	568	GREEN	DIFFUSED	30	80	8	12	-	5.0	30.0	45
3YD5V-F	GaAsP/GaP	585	YELLOW	DIFFUSED	35	80	8	12	-	5.0	20.0	45
3AD5V-F	GaAsP/GaP	610	AMBER	DIFFUSED	17	80	8	12	-	5.0	30.0	45
3HD5V-F	GaAsP/GaP	640	HE RED	DIFFUSED	40	80	8	12	-	5.0	30.0	45
3RD5V-F	GaAsP/GaAs	700	RED	DIFFUSED	100	80	8	12	-	5.0	6.0	45

STANDARD TOLERANCE (UNLESS OTHERWISE SPECIFIED) ±10% ALL VALUES		 BIVAR [®] 4 THOMAS, IRVINE, CA. 92618 TEL: (949) 951-8808 FAX: (949) 951-3974	
ANGULAR X° ± 5°		 TITLE: EXTRUDED VERTICAL T-1 (3mm) LED NARROW SPACER PROFILE ASSY	
DESIGNED: Dan Beckman	DATE: 07/25/07	PART NO: ELM5XXX3XX5V	REVISION: C
CHECKED: T. Yin	DATE: 07/25/07	CAGE CODE : 32559	SHEET # 2 OF 2
CAD GENERATED DOCUMENT, DO NOT MEASURE DRAWING.			