

3.00mm (.118") Pitch Micro-Fit 3.0™ Receptacle

43025

FEATURES AND SPECIFICATIONS

Features and Benefits

- Positive latching to mating headers or plugs
- Fully isolated contacts
- Fully polarized to mating headers and plugs
- Integral pull tabs for ease in unmating

Reference Information

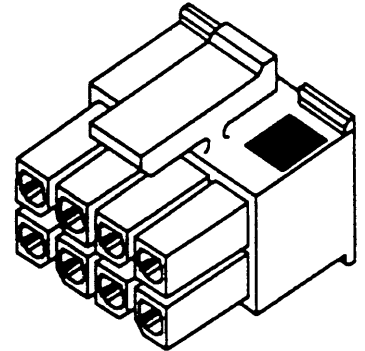
Product Specification: PS-43045
 Packaging: Bulk
 Mates With: 43020 and 43045
 Use With: 43030
 Designed In: Millimeters

Electrical

Voltage: 250V
 Current: 5.0A max.
 Contact Resistance: 10mΩ max.
 Dielectric Withstanding Voltage: 1500V AC
 Insulation Resistance: 1000 MΩ min.

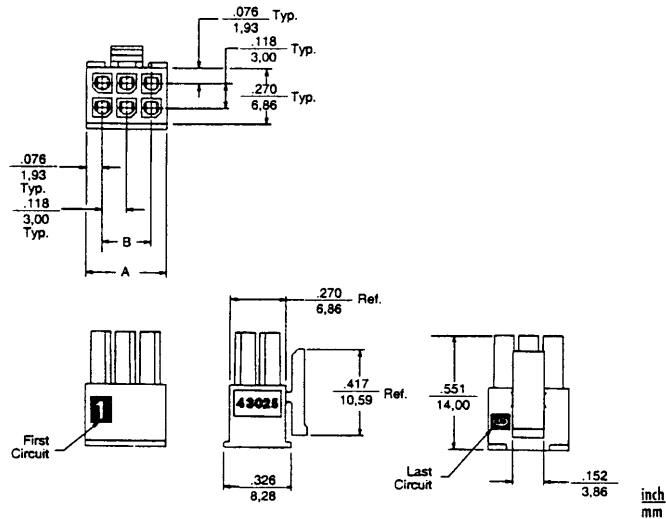
Physical

Housing: Polyester, UL 94V-0
 Contact: Phosphor Bronze
 Plating: Tin or Gold



PCB Connectors

J



ORDERING INFORMATION AND DIMENSIONS

Circuits	Order No.*	Dimension	
		A	B
2	• 43025-0200 *	3.85 (.152)	
4	• 43025-0400	6.85 (.270)	3.00 (.118)
6	• 43025-0600	9.85 (.388)	6.00 (.236)
8	• 43025-0800	12.85 (.506)	9.00 (.354)
10	• 43025-1000	15.85 (.624)	12.00 (.472)
12	• 43025-1200	18.85 (.742)	15.00 (.591)
14	• 43025-1400	21.85 (.860)	18.00 (.709)
16	• 43025-1600	24.85 (.978)	21.00 (.827)
18	• 43025-1800	27.85 (1.096)	24.00 (.945)
20	• 43025-2000	30.85 (1.215)	27.00 (1.063)
22	• 43025-2200	33.85 (1.333)	30.00 (1.181)
24	• 43025-2400	36.85 (1.451)	33.00 (1.299)

* US Standard Product, available through Molex franchised distributors

* Use female terminal 43030